

General Product Information



This product is suitable for indoor dry locations only.

This product is to be installed to a 4" square junction box with a 3" round plaster ring or an octagon junction box.

Dimmability Notes:

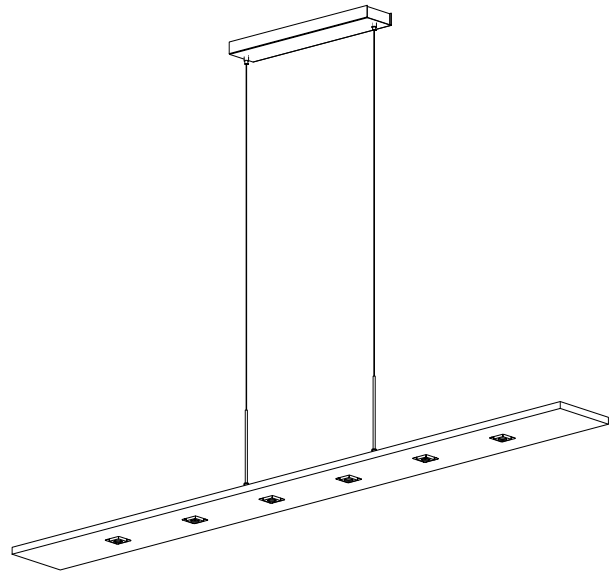
Fixture can be dimmed with TRIAC, ELV, or 0-10V dimming at 120VAC input. For 240 or 277VAC input, fixture is only dimmable with 0-10V dimming.



CAUTION - RISK OF FIRE



This product requires installation by a qualified electrician. Before installing be sure to read all instructions and **TURN POWER OFF TO THE JUNCTION BOX**



FEED SUSPENSION CABLES THROUGH COMPONENTS

- 1 Feed the suspension cables through the canopy, the threaded coupler nut, five O-Rings, the stabilizing rod, the top of the cable gripper and out the side exit hole of the cable gripper.

CRITICAL NOTE: DO NOT screw the stabilizing rod onto the cable gripper until the final step of the installation process.

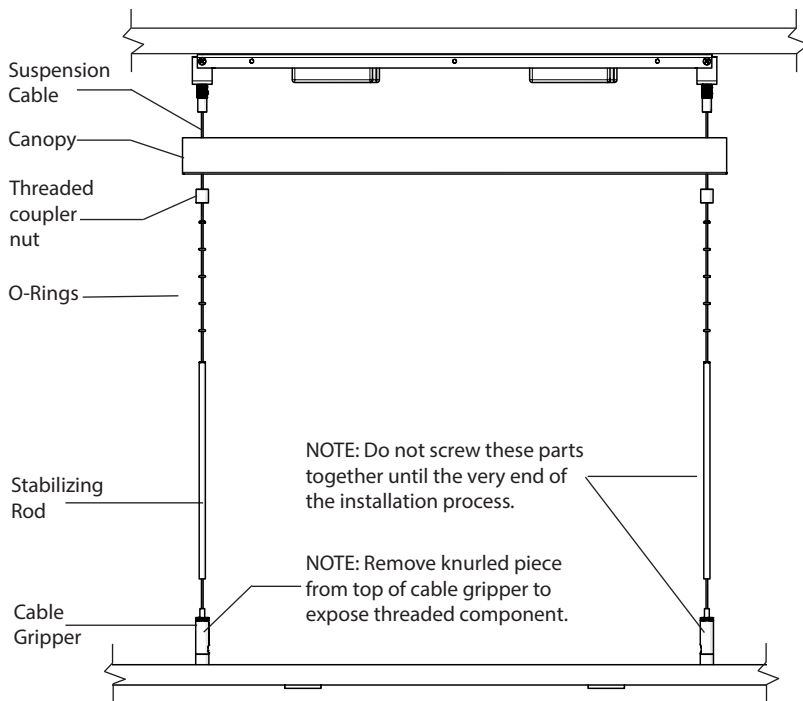


Figure 1

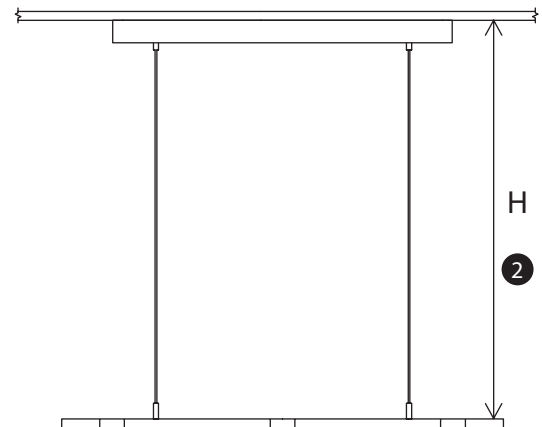
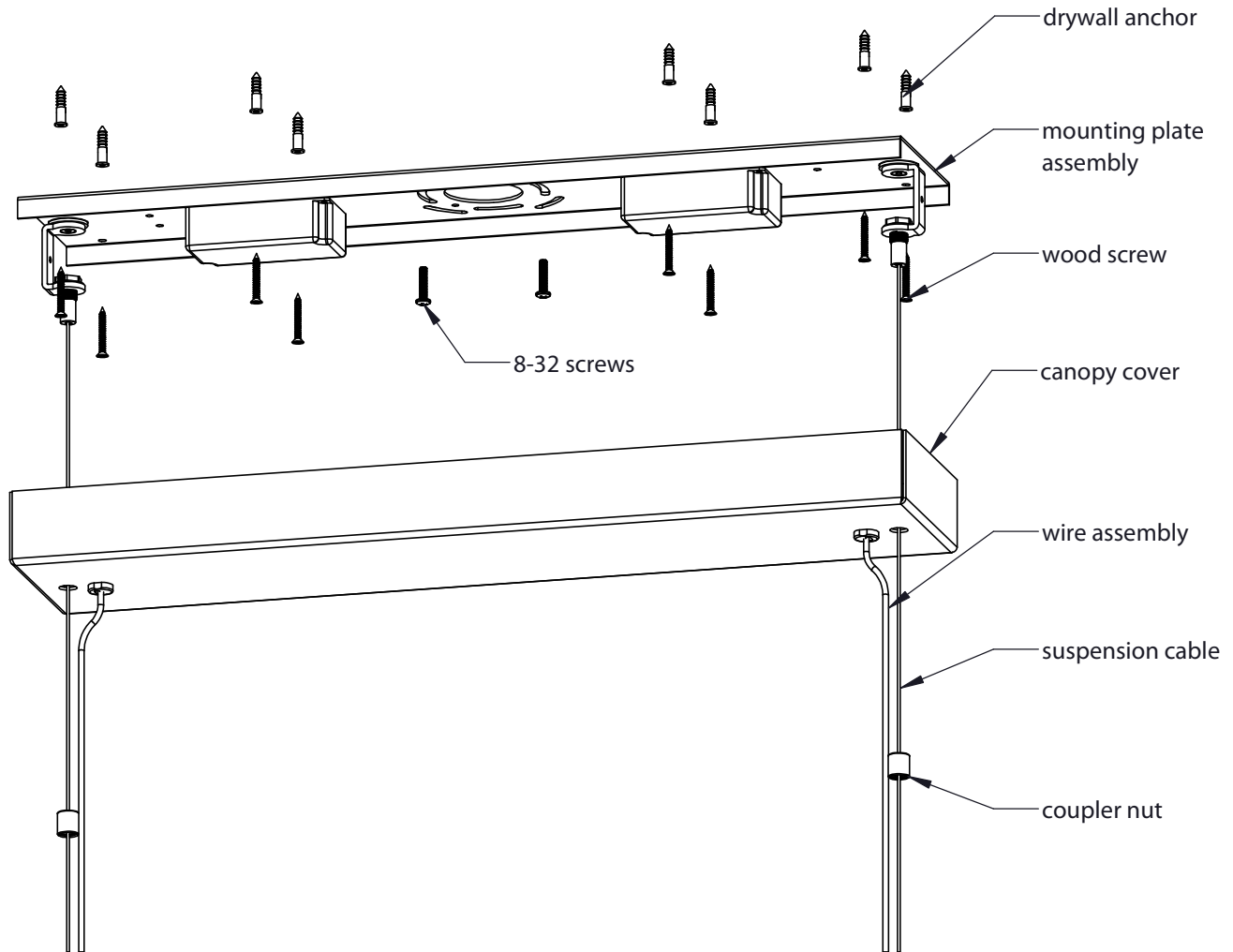


Figure 2

ADJUSTING FIXTURE HEIGHT

- 2 Measure the desired height (H) that you want the fixture to hang below the ceiling.
- 3 Adjust the length of the suspension cables to roughly the desired length by pulling the suspension cable from out the side exit hole of the cable gripper.



4) Secure the mounting plate to the junction box using the 8-32 machine screws.

5) Fasten the mounting plate to the ceiling using the provided screws.

CRITICAL NOTE: The included anchors are supplied only as a convenience. It is the installer's responsibility to verify that the installation conditions and hardware are suitable for mounting conditions.

6) Feed the wire assemblies through the o-rings on the suspension cables and through the two holes furthest from the ends on the canopy.

7) Pull the line voltage wires through the center hole in the mounting plate. Use wire nuts to make connections between line voltages wires and the drivers input leads. Make wire connections between the wire assemblies and the driver output leads. Each driver should be paired with one of the wire assemblies. Use the ground screw on the mounting plate to ground the fixture.

8) (OPTIONAL) If 0-10V dimming control is to be used, connect purple and grey LED driver leads to the leads from the remote 0-10V dimmer.

CRITICAL NOTE: If 0-10V dimming is not being used, the tinned ends of the purple and grey LED driver leads should be snipped off and capped individually such that they remain isolated from one another.



SECURING THE CANOPY

- 9 Slide the canopy up the cables and secure it by fastening threaded coupler nut onto the threaded coupler. Evenly space out the O-Rings along the suspension cable and wire assemblies.
- 10 Insert the strain relief bushing into the canopy and make sure the strain relief bushings wrap around the wire assemblies.

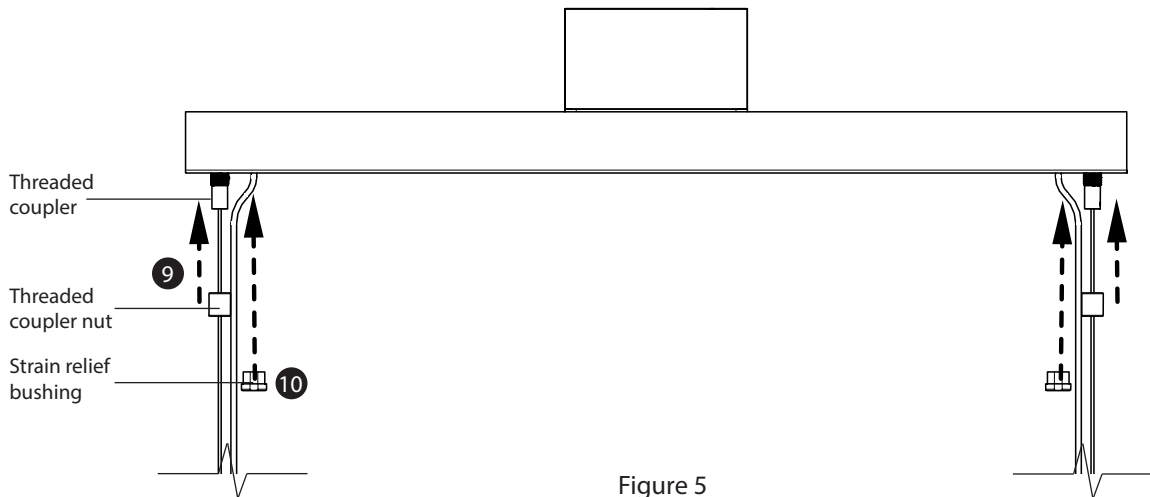


Figure 5

Stabilizing the Shade

- 11 Screw the stabilizing rods onto the cable grippers.

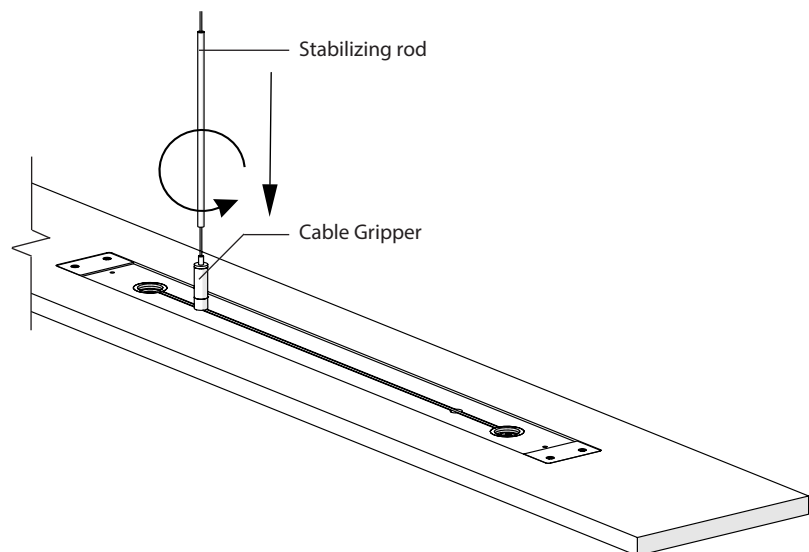


Figure 6