

Calle, perennial *elegance.*

design Draw
terzani.com

TERZANI
LA LUCE PENSATA



Product Name

Calle
pendant light

Materials

clear crystal (24% lead)

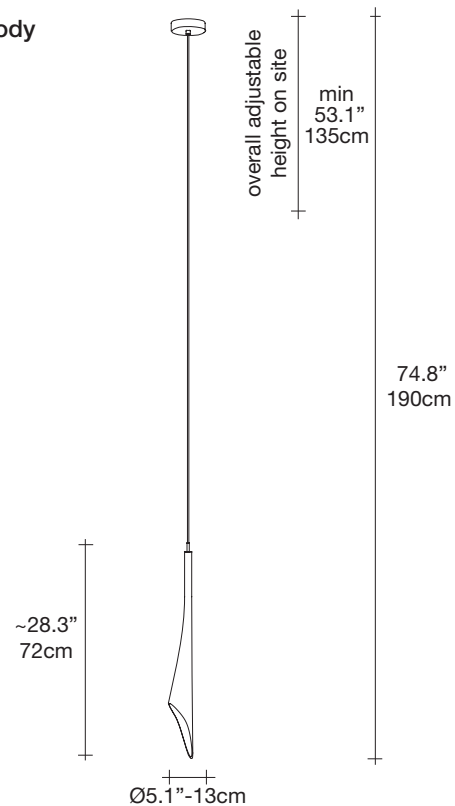


Finishes | Code



clear
OT01S E8 A9

Body



Light source

120V ~ 50/60Hz



XENON BI-PIN T3
20W G4 12V

or



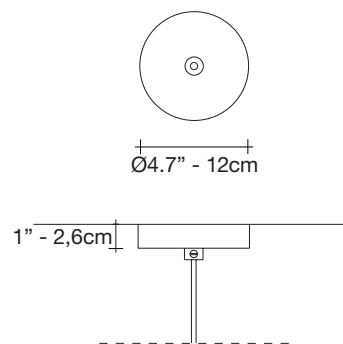
LED
2W G4 12V

dimmable with



IGBT
TRIAC

Canopy | white



At Terzani, we spend countless days searching the globe for talented new designers, but sometimes they find us. Such is the case with the young designers Luca Martorano and Mattia Albicini who approached us with the design for Calle, a fantastic new light we instantly fell in love with. It showcases our skill at crafting crystal to take the material to an exciting, modern place. Luca and Mattia worked with our craftsmen to create a slender inverted flute of 24% lead crystal that, like the calla lily it mimics, can be grouped into stunning bouquets of light. Design Luca Martorano and Mattia Albicini.



lbs 3.3

kg 1,5



lbs 6.6

kg 3



32.7" x 9.8" x 10.2"

83 x 25 x 26 cm