

Manta, shimmering waves.

design Dodo Arslan & Nicolas Terzani
terzani.com



Product Name

Manta
3 light pendant

Materials

clear crystal

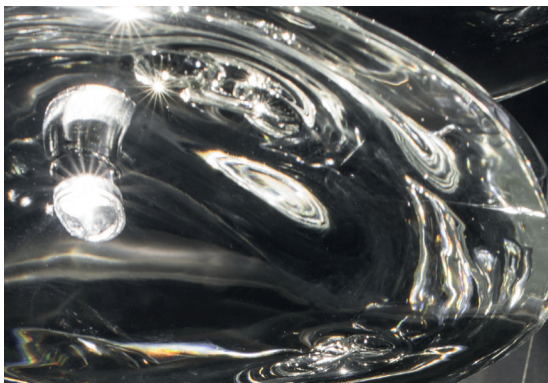
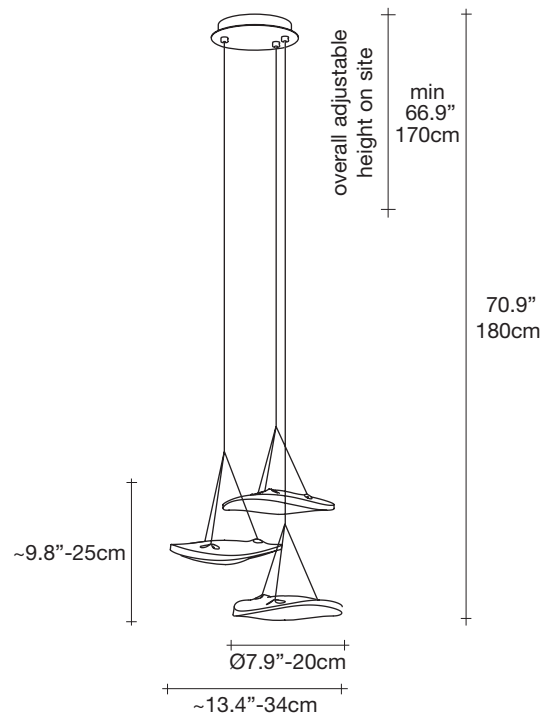


Finishes | Code



clear
OK031 E8 A9

Body



Light source

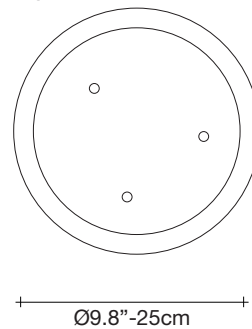
120V ~ 50/60Hz

- ⊙ Built in Replaceable LED Module
3 x 1.5W 315 lm 3000K

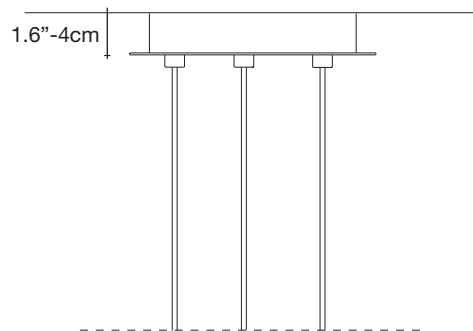
dimable with

- ⊙ 1-10V
PUSH

Canopy | white



Manta is the latest design featuring the distinctive lead crystal first unveiled in Nicolas Terzani's best-selling Mizu. Collaborating with designer Dodo Arslan, the two imaginative minds created a light featuring sinuous, undulating lines. The results are soft waves of crystal light reminiscent of being underwater. The innovative Manta is made of crystal, with a dimmable integrated LED lamp focused on maximizing the crystal's reflection. Manta's organic form is available in three sizes (Ø 20cm-7.9", Ø 26cm-10.2", Ø 32cm-12.6") and can be installed in numerous, customizable arrangements. Design Dodo Arslan & Nicolas Terzani.



👤 lbs 15.4	👤 lbs 18.5	📦 18.7" x 12.4" x 10.8"
👤 kg 7	👤 kg 8,4	📦 47,5 x 31,5 x 27,5 cm