

Soscik, classic form, *modern look.*

design Nicolas Terzani
terzani.com



Product Name
Soscik
small chandelier

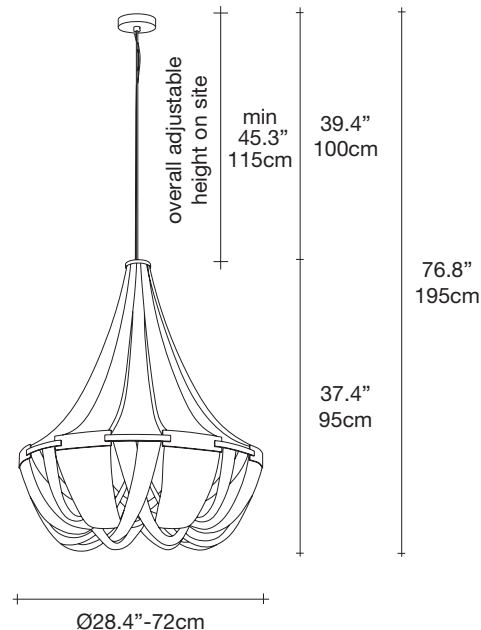
Materials
metal



Finishes | Code

-  nickel | brushed nickel
OG55S H4 C8
-  bronze | brushed bronze
OG55S F7 C8
-  gold | brushed gold
OG55S L8 C8
-  champagne | brushed champagne
OG55S N1 C8

Body



Light source

120V ~ 50/60Hz



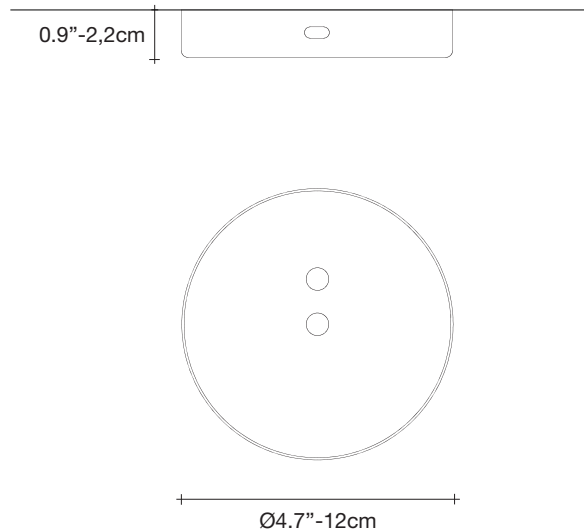
LED
8 x 4W G9 dimmable

dimmable with



all systems

Canopy



Reinventing the classics. With Soscik, Terzani combines traditional, artisan techniques with cutting edge technology to give the traditional chandelier a modern update. Created by interlacing metal chain over a nickel-plated frame, Soscik creates a dramatic and romantic effect, while still being able to compliment today's modern luxury. Available as a chandelier or a ceiling lamp, soscik proves that modern design does not have to sacrifice luxury. Design Nicolas Terzani.