

G.r.a., gyrating romantic, *rings of light.*

design Bruno Rainaldi
terzani.com

TERZANI
LA LUCE PENSATA



Product Name

G.r.a.
small pendant light

Materials

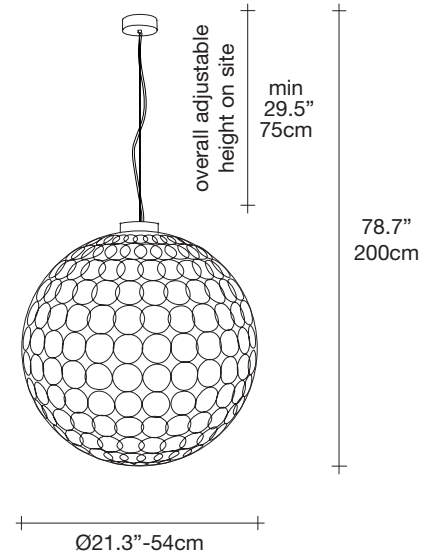
metal



Finishes | Code

-  nickel
ON43S E7 C8 L
-  gold leaf
ON43S H5 C8 L
-  gold plated
ON43S P3 C8 L

Body



Light source

120V ~ 50/60Hz



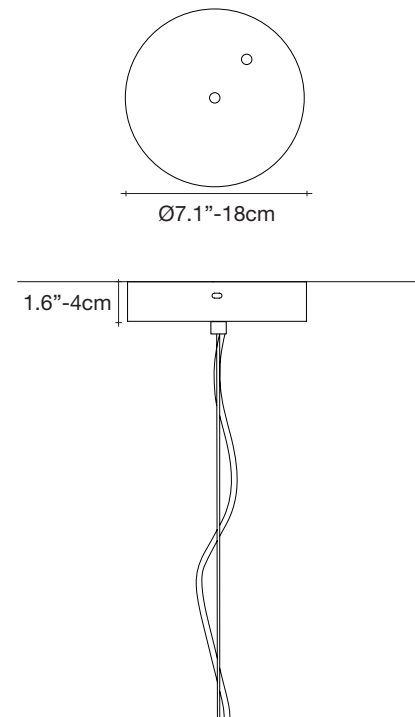
Built in Replaceable LED Module
18W 1640lm 3000K
or optional 2700K

dimnable with



1-10V
PUSH

Canopy



This clean, precise form is the result of hours of labor by our artisans, who meticulously weld each ring together. G.r.a. is a delicate, refined pendant whose intricate shape belies its romantic glow. Available as an oval or a sphere, and finished in nickel or gold, G.r.a. serves as an elegant, unobtrusive complement to any room. Design Bruno Rainaldi.