

# G.r.a., gyrating romantic, *rings of light.*

design Bruno Rainaldi  
terzani.com



**Product Name**  
G.r.a.  
oval pendant light

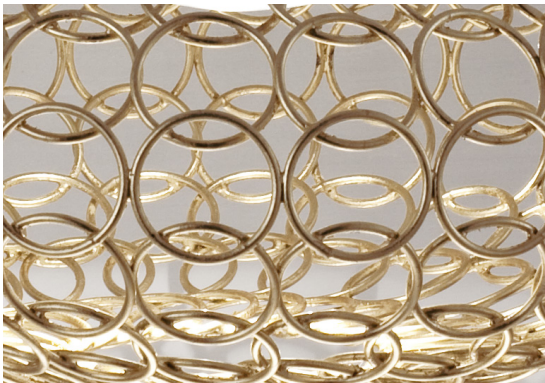
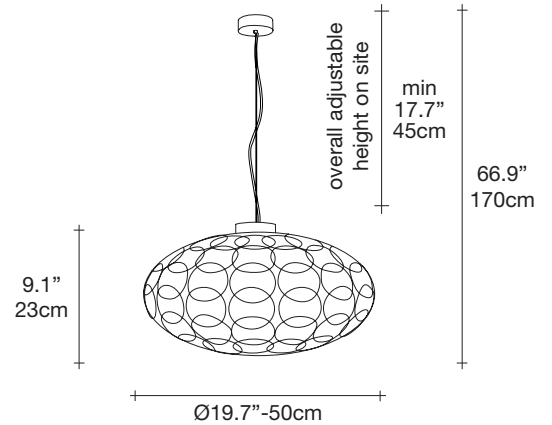
**Materials**  
metal



**Finishes | Code**

-  nickel  
ON41S E7 C8 L
-  gold leaf  
ON41S H5 C8 L
-  gold plated  
ON41S P3 C8 L

**Body**



**Light source**

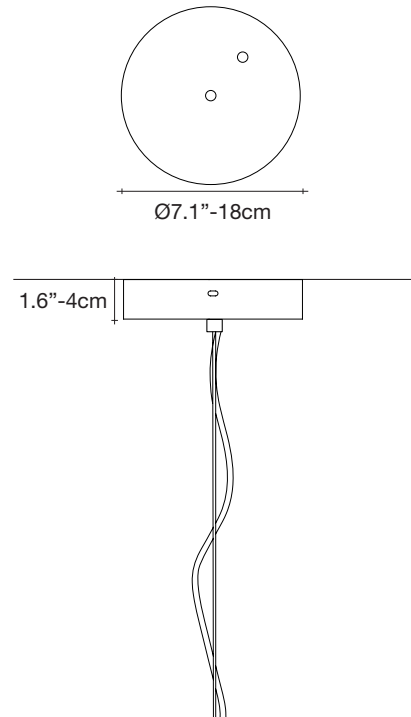
120V ~ 50/60Hz

-  Built in Replaceable LED Module  
18W 1640lm 3000K  
or optional 2700K

dimnable with

-  1-10V  
PUSH

**Canopy**



This clean, precise form is the result of hours of labor by our artisans, who meticulously weld each ring together. G.r.a. is a delicate, refined pendant whose intricate shape belies its romantic glow. Available as an oval or a sphere, and finished in nickel or gold, G.r.a. serves as an elegant, unobtrusive complement to any room. Design Bruno Rainaldi.