

Orten'zia, petals of *light*.

design Bruno Rainaldi
terzani.com

TERZANI
LA LUCE PENSATA





Product Name
Orten'zia
small mini pendant light

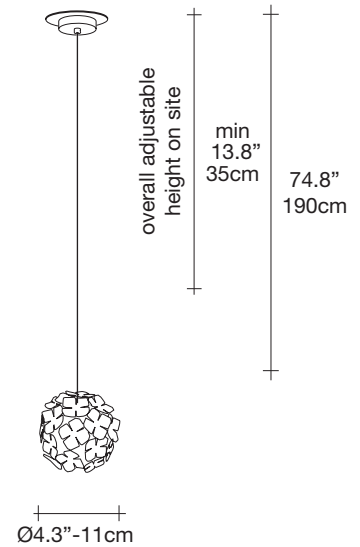
Materials
metal



Finishes | Code

-  nickel
OM47S E7 C8
-  gold plated
OM47S L6 C8

Body



Light source

120V ~ 50/60Hz



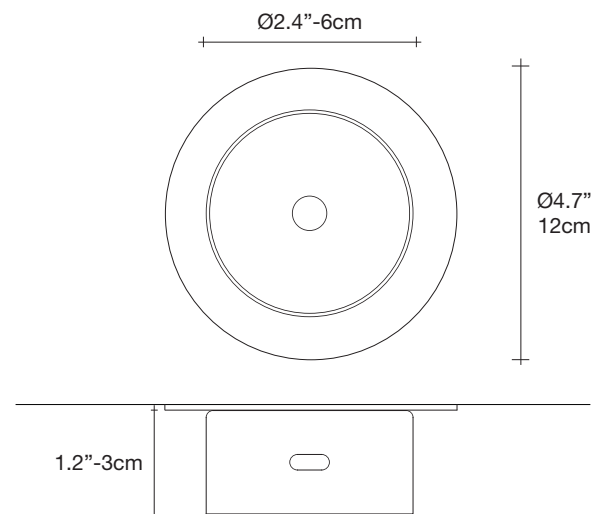
LED
4W G9 dimmable

dimmable with



all systems

Canopy



Recalling the natural beauty of a flower, Orten'zia hand-soldered "petals" emanate a unique glow, immersing the entire room in a glimmering light. An organic radiance is created through light and shadow, planting a garden within the room. Available in either nickel or gold plated, the orten'zia's elegant form complements its dramatic light. Design Bruno Rainaldi.



lbs 1.1
kg 0,5



lbs 2.2
kg 1



7.9" x 7.9" x 7.9"
20 x 20 x 20 cm