

Core, eruption of light.

design Christian Lava
terzani.com

TERZANI
LA LUCE PENSATA



Product Name

Core
pendant light

Materials

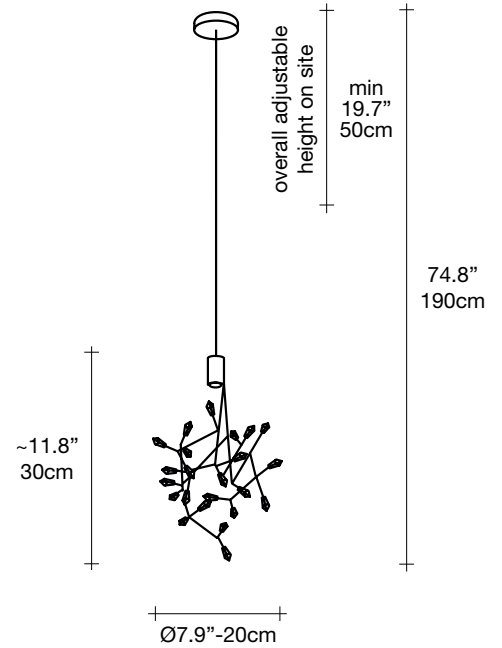
brass



Finishes | Code

-  nickel
OP22S E7 A9
-  black nickel
OP22S E9 A9
-  gold plated
OP22S L6 A9


Body



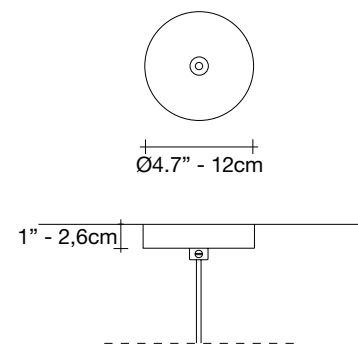
Light source

120V ~ 50/60Hz

-  Built in Replaceable LED Module
2,1W 240lm 3000K
or optional 2700K

 not dimmable

Canopy



Core is reminiscent of the natural energy at the heart of our world. Like bright lava seeping through the earth's crust, vibrant spheres of faceted crystal break through the iron surface of this pendant. Forcing light to pass through this metal structure results in a powerful, vibrant exchange of forces light and shadow erupt across the room, as the LED light pours through, as the light itself emits an organic radiance. Design Christian Lava.