

# Atlantis, a precious *wave*.

design Barlas Baylar  
terzani.com

**TERZANI**  
LA LUCE PENSATA



**Product Name**  
Atlantis  
large wall sconce

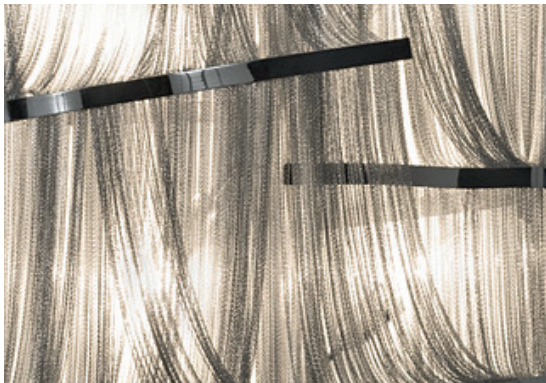
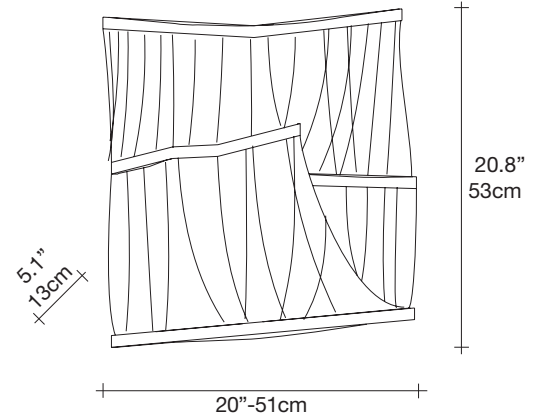
**Materials**  
brass chains | metal  
structure plated as below





**Finishes | Code**

-  nickel  
OJ03A E7 C8
-  black nickel  
OJ03A E9 C8
-  bronze  
OJ03A F7 C8
-  gold plated  
OJ03A L6 C8
-  champagne  
OJ03A N1 C8
-  brushed champagne  
OJ03A N7 C8

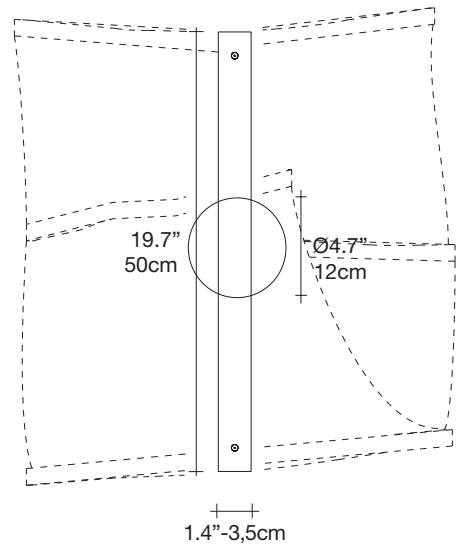
**Body**



**Light source**  
120V ~ 50/60Hz

-  LED  
4 x 5.5W E12 dimmable
- dimmable with
-  all systems

**Canopy**



Seemingly alive, atlantis' shimmering light creates a vibrant source of energy. Its mesmerizing, organic effect is created by hundreds of illuminated lengths of draped, nickel chain. Like water in the ocean, atlantis' chains appear liquid, cascading over its gloss nickel bands and falling down towards the abyss before turning back into itself. Atlantis is composed of almost three miles of chain, meticulously hand-crafted by master italian artisans. Design Barlas Baylar.