

Harpe, the sound of *light*

design Christian Lava
terzani.com



TERZANI
LA LUCE PENSATA



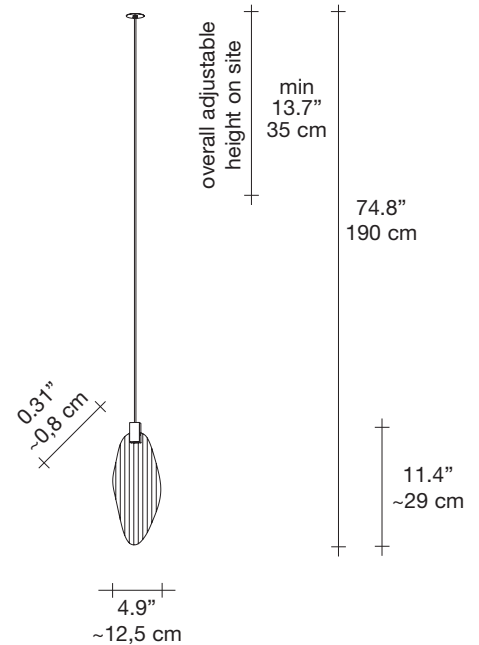
Name
Harpe
single pendant

Materials
metal

Finishes | Code

-  matte nickel
OW011S E8 B5 KK
-  matte black nickel
OW011S E8 B6 KK

Body



The new Harpe collection comes from the childhood memory of its designer, Christian Lava. Like most children, he would look up into the sky and visualize shapes in the clouds as they passed along. His active imagination would run wild with the fantastic things that would emerge.

One day, Christian looked up into the sky only to see a grey, leaden blanket of clouds. However, against this blank canvas, a break in the sky appeared and bright sunlight came streaming down in rays reminiscent of a harp. It's the memory of this divine instrument that inspired our latest pendant, Harpe.


Made of metal, Harpe is available in three different shapes and sizes and can be assembled in infinite combinations. Design Christian Lava. Made in Italy.

Light source

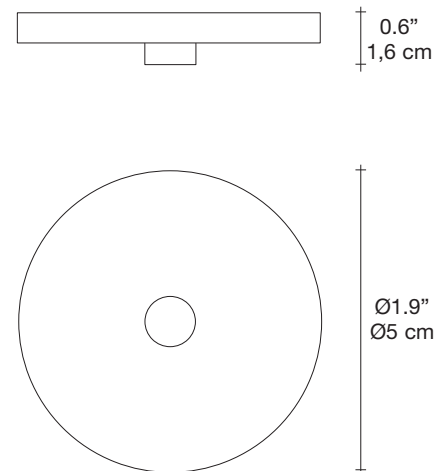
700mA

-  Integrated LED
2,1W 237 lm 3000K

dimnable drivers available

-  IGBT / TRIAC
1-10V / PUSH
0/1-19V / PUSH / DALI

Disc | white



Harpe, the sound of *light*

design Christian Lava
terzani.com



TERZANI
LA LUCE PENSATA



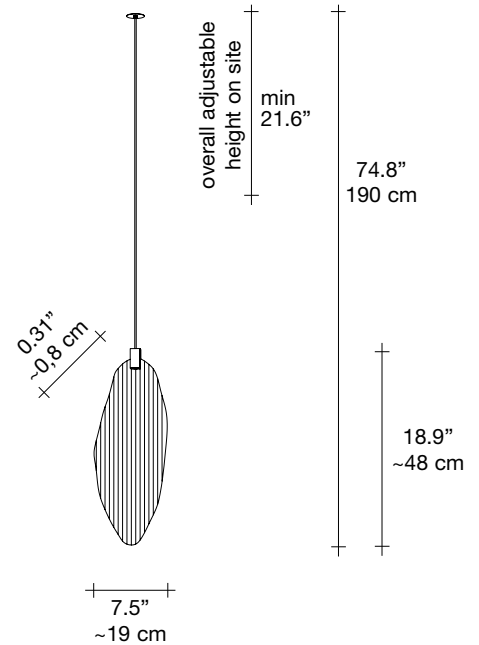
Name
Harpe
single pendant

Materials
metal

Finishes | Code

-  matte nickel
OW012S E8 B5 KK
-  matte black nickel
OW012S E8 B6 KK

Body



The new Harpe collection comes from the childhood memory of its designer, Christian Lava. Like most children, he would look up into the sky and visualize shapes in the clouds as they passed along. His active imagination would run wild with the fantastic things that would emerge.

One day, Christian looked up into the sky only to see a grey, leaden blanket of clouds. However, against this blank canvas, a break in the sky appeared and bright sunlight came streaming down in rays reminiscent of a harp. It's the memory of this divine instrument that inspired our latest pendant, Harpe.


Made of metal, Harpe is available in three different shapes and sizes and can be assembled in infinite combinations. Design Christian Lava. Made in Italy.

Light source

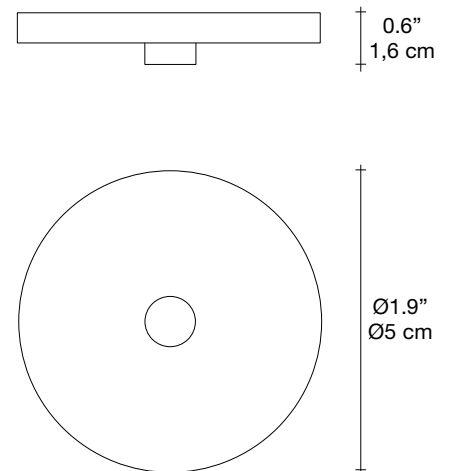
700mA

-  Integrated LED
2,1W 237 lm 3000K

dimnable drivers available

-  IGBT / TRIAC
1-10V / PUSH
0/1-19V / PUSH / DALI

Disc | white



Harpe, the sound of *light*

design Christian Lava
terzani.com



TERZANI
LA LUCE PENSATA



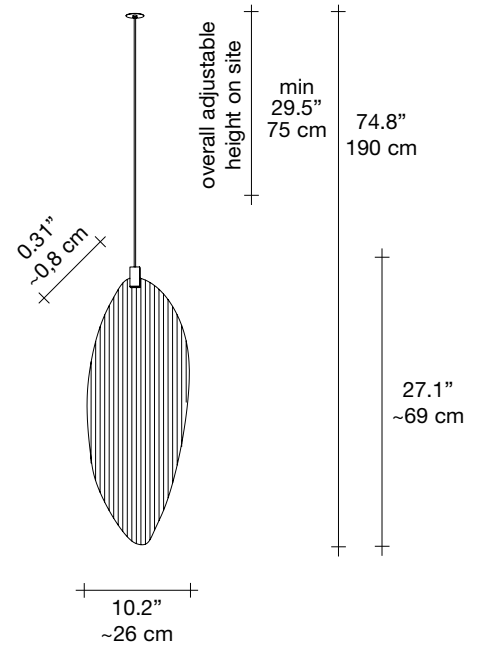
Name
Harpe
single pendant

Materials
metal

Finishes | Code

-  matte nickel
OW013S E8 B5 KK
-  matte black nickel
OW013S E8 B6 KK

Body




The new Harpe collection comes from the childhood memory of its designer, Christian Lava. Like most children, he would look up into the sky and visualize shapes in the clouds as they passed along. His active imagination would run wild with the fantastic things that would emerge.

One day, Christian looked up into the sky only to see a grey, leaden blanket of clouds. However, against this blank canvas, a break in the sky appeared and bright sunlight came streaming down in rays reminiscent of a harp. It's the memory of this divine instrument that inspired our latest pendant, Harpe.


Made of metal, Harpe is available in three different shapes and sizes and can be assembled in infinite combinations. Design Christian Lava. Made in Italy.

Light source

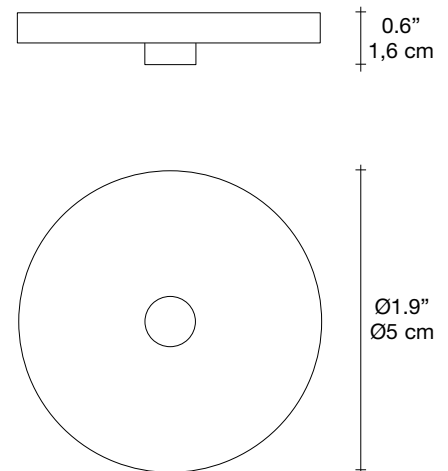
700mA

-  Integrated LED
2,1W 237 lm 3000K

dimnable drivers available

-  IGBT / TRIAC
1-10V / PUSH
0/1-19V / PUSH / DALI

Disc | white



Harpe, the sound of *light*

design Christian Lava
terzani.com



TERZANI
LA LUCE PENSATA



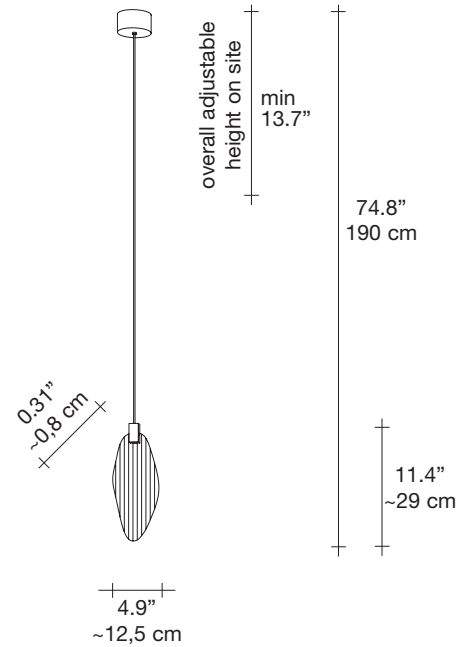
Name
Harpe
single pendant

Materials
metal

Finishes | Code

-  matte nickel
OW011S E8 B5 T
-  matte black nickel
OW011S E8 B6 T

Body



The new Harpe collection comes from the childhood memory of its designer, Christian Lava. Like most children, he would look up into the sky and visualize shapes in the clouds as they passed along. His active imagination would run wild with the fantastic things that would emerge.

One day, Christian looked up into the sky only to see a grey, leaden blanket of clouds. However, against this blank canvas, a break in the sky appeared and bright sunlight came streaming down in rays reminiscent of a harp. It's the memory of this divine instrument that inspired our latest pendant, Harpe.

Made of metal, Harpe is available in three different shapes and sizes and can be assembled in infinite combinations. Design Christian Lava. Made in Italy.

Light source

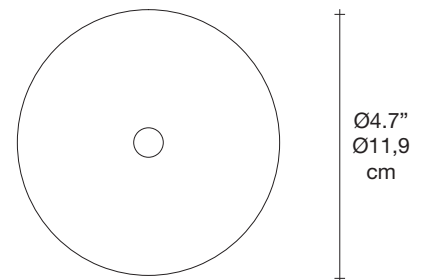
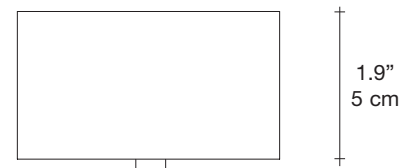
700mA

-  Integrated LED
2,1W 237 lm 3000K

dimnable drivers available

-  IGBT / TRIAC

Canopy | white



Harpe, the sound of *light*

design Christian Lava
terzani.com



TERZANI
LA LUCE PENSATA



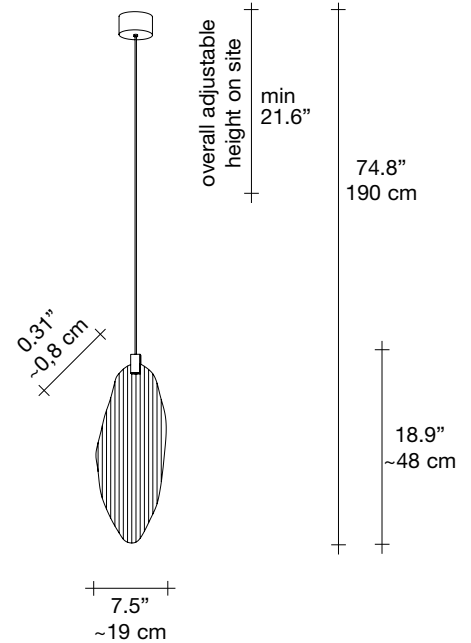
Name
Harpe
single pendant

Materials
metal

Finishes | Code

-  matte nickel
OW012S E8 B5 T
-  matte black nickel
OW012S E8 B6 T

Body




The new Harpe collection comes from the childhood memory of its designer, Christian Lava. Like most children, he would look up into the sky and visualize shapes in the clouds as they passed along. His active imagination would run wild with the fantastic things that would emerge.

One day, Christian looked up into the sky only to see a grey, leaden blanket of clouds. However, against this blank canvas, a break in the sky appeared and bright sunlight came streaming down in rays reminiscent of a harp. It's the memory of this divine instrument that inspired our latest pendant, Harpe.

Made of metal, Harpe is available in three different shapes and sizes and can be assembled in infinite combinations. Design Christian Lava. Made in Italy.

Light source

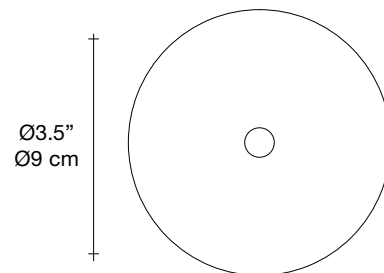
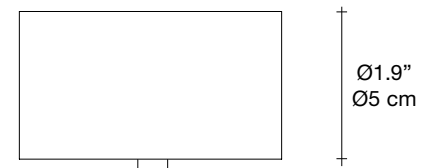
700mA

-  Integrated LED
2,1W 237 lm 3000K

dimnable drivers available

-  IGBT / TRIAC

Canopy | white



Harpe, the sound of *light*

design Christian Lava
terzani.com


TERZANI
LA LUCE PENSATA



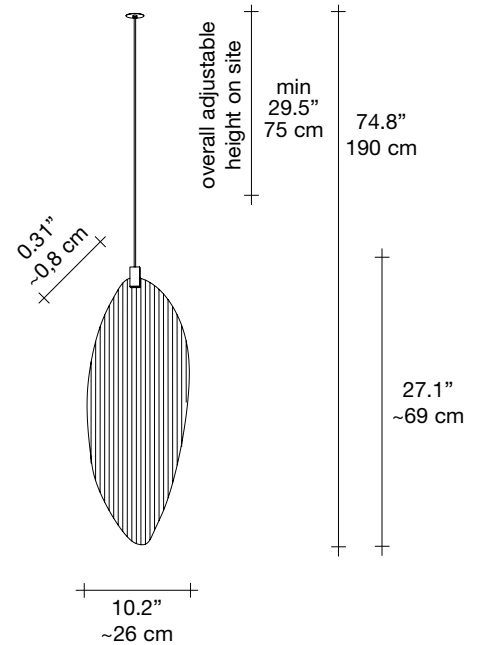
Name
Harpe
single pendant

Materials
metal

Finishes | Code

-  matte nickel
OW013S E8 B5 T
-  matte black nickel
OW013S E8 B6 T

Body



The new Harpe collection comes from the childhood memory of its designer, Christian Lava. Like most children, he would look up into the sky and visualize shapes in the clouds as they passed along. His active imagination would run wild with the fantastic things that would emerge.

One day, Christian looked up into the sky only to see a grey, leaden blanket of clouds. However, against this blank canvas, a break in the sky appeared and bright sunlight came streaming down in rays reminiscent of a harp. It's the memory of this divine instrument that inspired our latest pendant, Harpe.

Made of metal, Harpe is available in three different shapes and sizes and can be assembled in infinite combinations. Design Christian Lava. Made in Italy.

Light source

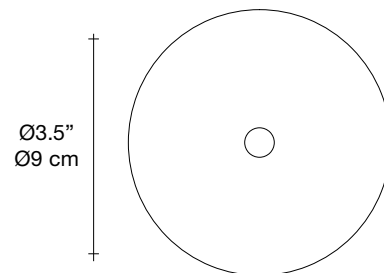
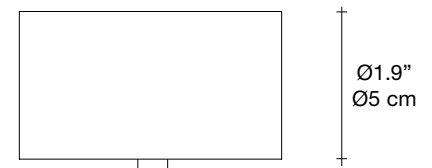
700mA

-  Integrated LED
2,1W 237 lm 3000K

dimnable drivers available

-  IGBT / TRIAC

Canopy | white



Harpe, the sound of *light*

design Christian Lava
terzani.com

TERZANI
LA LUCE PENSATA



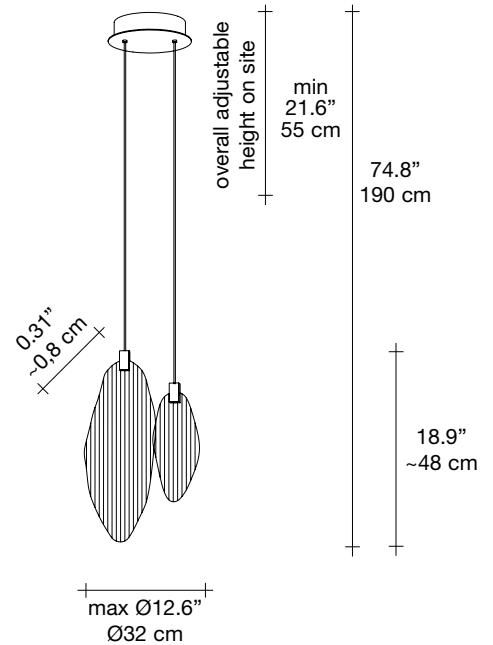
Name
Harpe
2 light pendant

Materials
metal

Finishes | Code

-  matte nickel
OW024S E8 B5 T
-  matte black nickel
OW024S E8 B6 T

Body




The new Harpe collection comes from the childhood memory of its designer, Christian Lava. Like most children, he would look up into the sky and visualize shapes in the clouds as they passed along. His active imagination would run wild with the fantastic things that would emerge.

One day, Christian looked up into the sky only to see a grey, leaden blanket of clouds. However, against this blank canvas, a break in the sky appeared and bright sunlight came streaming down in rays reminiscent of a harp. It's the memory of this divine instrument that inspired our latest pendant, Harpe.

Made of metal, Harpe is available in three different shapes and sizes and can be assembled in infinite combinations. Design Christian Lava. Made in Italy.

Light source

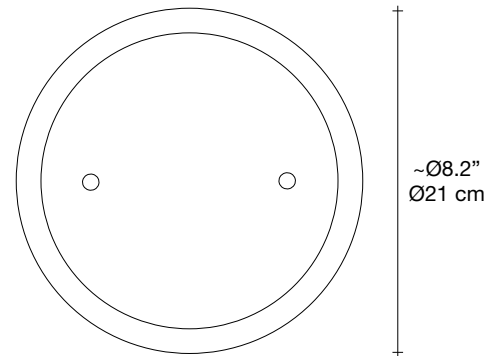
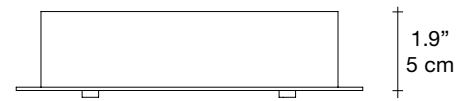
700mA

-  Integrated LED
2 x 2,1W 474 lm 3000K

dimnable drivers available

-  IGBT / TRIAC

Canopy | white



Harpe, the sound of *light*

design Christian Lava
terzani.com

TERZANI
LA LUCE PENSATA



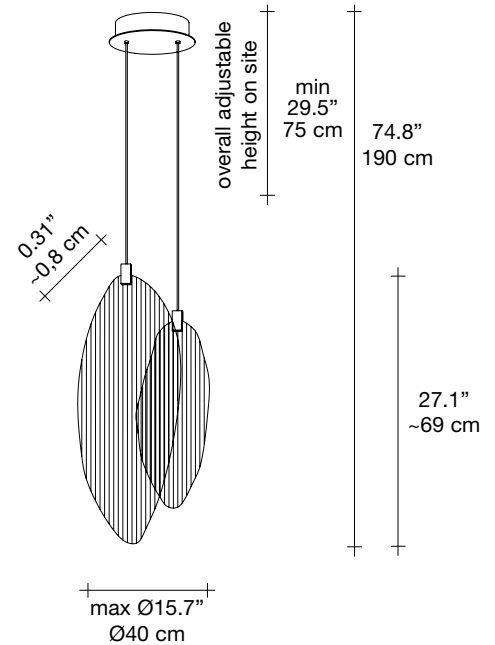
Name
Harpe
2 light pendant

Materials
metal

Finishes | Code

-  matte nickel
OW025S E8 B5 T
-  matte black nickel
OW025S E8 B6 T

Body




The new Harpe collection comes from the childhood memory of its designer, Christian Lava. Like most children, he would look up into the sky and visualize shapes in the clouds as they passed along. His active imagination would run wild with the fantastic things that would emerge.

One day, Christian looked up into the sky only to see a grey, leaden blanket of clouds. However, against this blank canvas, a break in the sky appeared and bright sunlight came streaming down in rays reminiscent of a harp. It's the memory of this divine instrument that inspired our latest pendant, Harpe.

Made of metal, Harpe is available in three different shapes and sizes and can be assembled in infinite combinations. Design Christian Lava. Made in Italy.

Light source

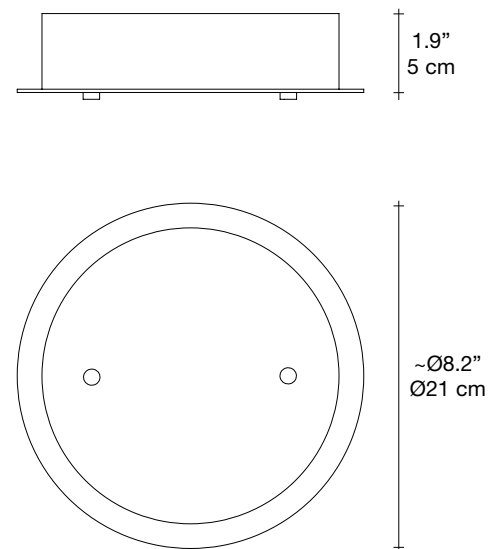
700mA

-  Integrated LED
2 x 2,1W 474 lm 3000K

dimnable drivers available

-  IGBT / TRIAC

Canopy | white



Harpe, the sound of *light*

design Christian Lava
terzani.com

TERZANI
LA LUCE PENSATA



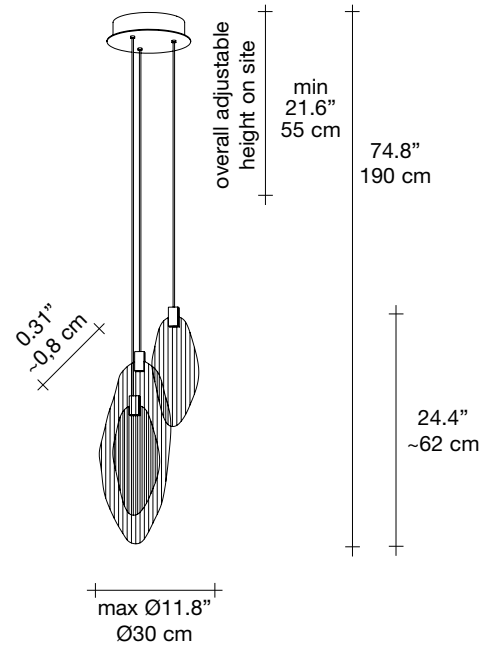
Name
Harpe
3 light pendant

Materials
metal

Finishes | Code

-  matte nickel
0W034S E8 B5 T
-  matte black nickel
0W034S E8 B6 T

Body




The new Harpe collection comes from the childhood memory of its designer, Christian Lava. Like most children, he would look up into the sky and visualize shapes in the clouds as they passed along. His active imagination would run wild with the fantastic things that would emerge.

One day, Christian looked up into the sky only to see a grey, leaden blanket of clouds. However, against this blank canvas, a break in the sky appeared and bright sunlight came streaming down in rays reminiscent of a harp. It's the memory of this divine instrument that inspired our latest pendant, Harpe.

Made of metal, Harpe is available in three different shapes and sizes and can be assembled in infinite combinations. Design Christian Lava. Made in Italy.

Light source

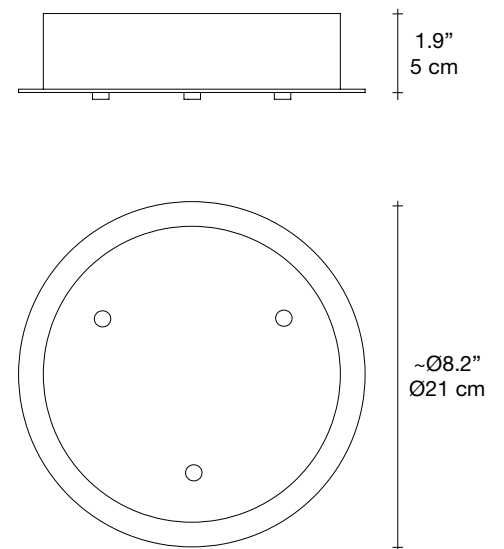
700mA

-  Integrated LED
3 x 2,1W 711 lm 3000K

dimnable drivers available

-  IGBT / TRIAC

Canopy | white



Harpe, the sound of *light*

design Christian Lava
terzani.com

TERZANI
LA LUCE PENSATA



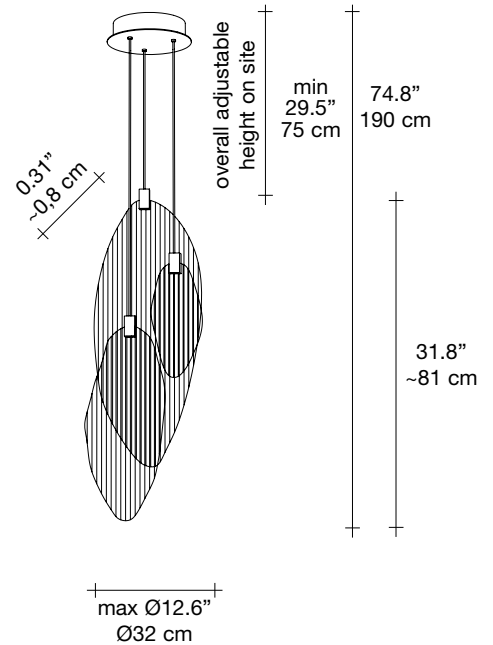
Name
Harpe
3 light pendant

Materials
metal

Finishes | Code

-  matte nickel
OW037S E8 B5 T
-  matte black nickel
OW037S E8 B6 T

Body




The new Harpe collection comes from the childhood memory of its designer, Christian Lava. Like most children, he would look up into the sky and visualize shapes in the clouds as they passed along. His active imagination would run wild with the fantastic things that would emerge.

One day, Christian looked up into the sky only to see a grey, leaden blanket of clouds. However, against this blank canvas, a break in the sky appeared and bright sunlight came streaming down in rays reminiscent of a harp. It's the memory of this divine instrument that inspired our latest pendant, Harpe.

Made of metal, Harpe is available in three different shapes and sizes and can be assembled in infinite combinations. Design Christian Lava. Made in Italy.

Light source

700mA

-  Integrated LED
3 x 2,1W 711 lm 3000K

dimnable drivers available

-  IGBT / TRIAC

Canopy | white

