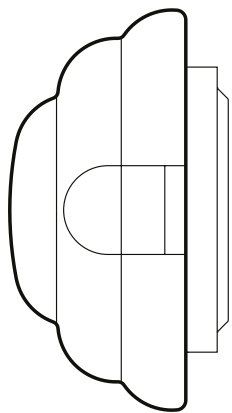


lolimpo

Design by Big-Game



bomma

bomma.cz

TECHNICAL SHEET

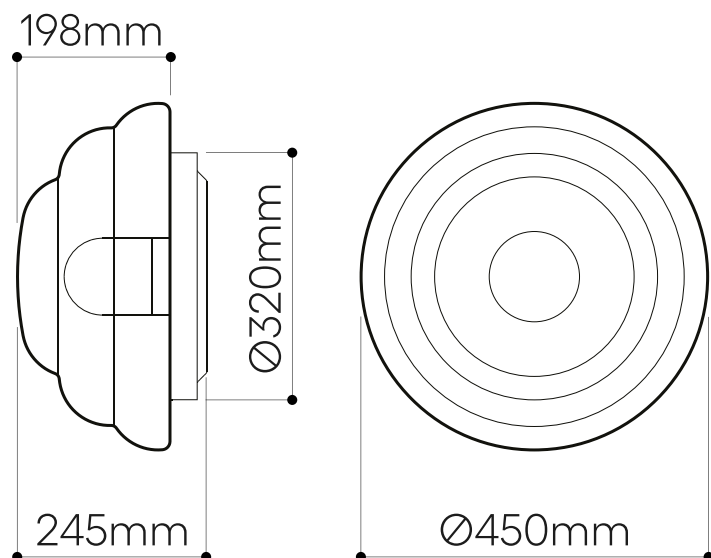
BLIMP

wall & ceiling lighting

Design by
Big-Game

Handmade glass attributes

All Bomma products are hand-made from mouth-blown lead-free crystal. Therefore any small bubbles, non-melts and irregularities in the glass are both proof and a characteristic feature of this traditional craft.



LIGHTING DESCRIPTION

Size	dia. 450 mm, H 245 mm dia. 17,7 inch, H 9,6 inch
Weight	+/- 7,2 kg / 15,8 lb
Glass	mouth-blown lead-free crystal in clear and amber
Mounting	black (aluminium black elox / steel with black powder coating)
Protection	IP 20
Nominal voltage	220-240V / A.C. 50-60 hz (EU) 110-120 V / A.C. 60 Hz (USA)
Class	I. EU / I. USA

LIGHT SOURCE

Type	LED module 24,5W, 2450lm, 700mA
Base	custom LED module
Voltage	220-240V, AC (EU) / 110-120V, AC (USA)
Temperature	2700 K
Color index	RA 90+
Dimming	Dimmable with TRIAC dimmers

TRANSFORMER

Mean Well PCD-40-700B (EU)
ERP ESM030W-0700-42 (USA)

PACKAGING

Material	Cardboard
Size	535 × 535 × 530 mm 21 × 21 × 20,8 inch

Origin: traditionally produced in the Czech Republic
Intellectual property license holder: Bomma Czech Republic (EU)
Represented by BMRC group s.r.o.

CERTIFICATES

