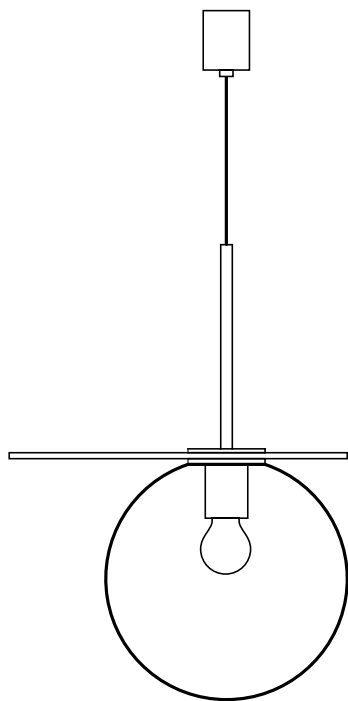


umlora

Design by
Dechem Studio



bomma

bomma.cz

TECHNICAL SHEET

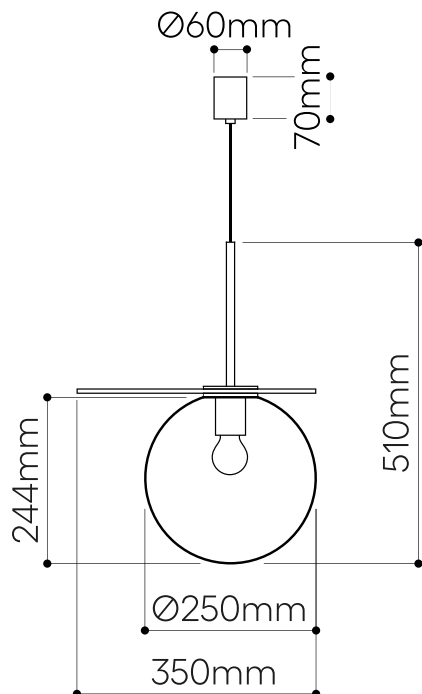
UMBRA pendant

Design by
Dechem Studio

Handmade glass attributes

All Bomma products are hand-made from mouth-blown lead-free crystal. Therefore any small bubbles, non-melts and irregularities in the glass are both proof and a characteristic feature of this traditional craft.

The Umbra Collection is made by underlying colored glass technology. Thanks to the manual process of blowing underlay glass, each piece is an original. Individual products may vary slightly in intensity, hue or even color. This is an accompanying characteristic of the traditional underlay glass technology.



LIGHTING DESCRIPTION

Size	350 × 270 × 510 mm 13,8 × 10,6 × 20,1 inch
Cable	moca textile braid 2,5 m / 98,4 inch
Weight	+ - 5 kg / 12,5 lb
Glass	mouth-blown lead-free crystal in smoke grey, pink, clear and light grey
Mounting	gold (polished stainless steel with nitride titan coating)
Protection	IP 20
Nominal voltage	220-240V / A.C. 50 hz (EU) 110-120 V / A.C. 60 Hz (USA)
Class	II. EU / I. USA

LIGHT SOURCE

Type	G45, 4W LED, 310 lm
Base	E27 (EU) / E26 (USA)
Wattage	max. 13W
Temperature	2700 K
Color index	RA 90+
Dimming	Dimmable with TRIAC ; on demand dimmable with DALI, RF/WIFI, for information on dimming with other systems please contact your Bomma partner.

PACKAGING

Material	Cardboard
Size	370 × 370 × 495 mm 14,6 × 14,6 × 19,5 inch

Origin: traditionally produced in the Czech Republic
Intellectual property license holder: Bomma Czech Republic (EU)
Represented by BMRC group s.r.o.

CERTIFICATES

