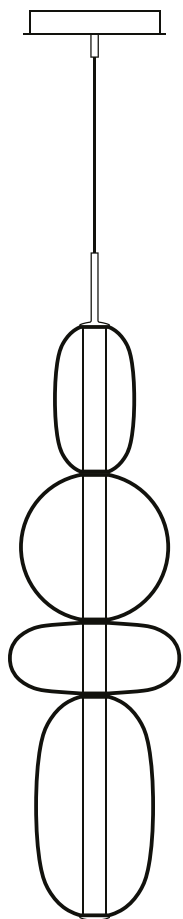


# peloles

Design by  
Boris Klimek



bomma

bomma.cz

TECHNICAL SHEET

# PEBBLES

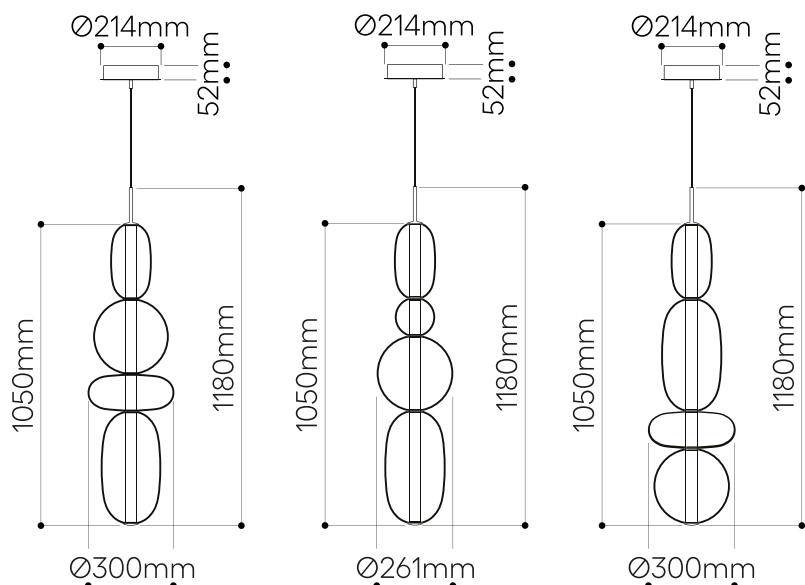
## pendant large

Design by  
Boris Klimek

### Handmade glass attributes

All Bomma products are hand-made from mouth-blown lead-free crystal. Therefore any small bubbles, non-melts and irregularities in the glass are both proof and a characteristic feature of this traditional craft.

The Pebbles Collection is made by underlying colored glass technology. Thanks to the manual process of blowing underlay glass, each piece is an original. Individual products may vary slightly in intensity, hue or even color. This is an accompanying characteristic of the traditional underlay glass technology.



### LIGHTING DESCRIPTION

Size	dia 300 mm, H 1180 mm dia. 11,8 inch, H 46,5 inch
Cable	black textile braid cable 2,5 m 98,4 inch
Weight	+ - 12 kg / 30 lb
Glass	mouth-blown lead-free crystal in black, light grey, white, green and red
Mounting	black (aluminium black elox + matt powder coating)
Protection	IP 20
Nominal voltage	220-240V / A.C. 50-60 hz (EU) 110-120 V / A.C. 60 Hz (USA)
Class	I. EU / I. USA

### LIGHT SOURCE

Type	LED module 25,5W, 3800lm, 500mA, 51V
Base	custom LED module
Voltage	220-240V, AC (EU) / 110-120V, AC (USA)
Temperature	2700 K
Color index	RA 90+
Dimming	Non-Dimmable

### TRANSFORMER

Mean Well PCD-40-1050B (EU)  
ERP ESM050W-1050-42 (USA)

### PACKAGING

Material	Cardboard
Size	540 × 540 × 1550 mm 21,3 × 21,3 × 61 inch

Origin: traditionally produced in the Czech Republic  
Intellectual property license holder: Bomma Czech Republic (EU)  
Represented by BMRC group s.r.o.

CERTIFICATES

