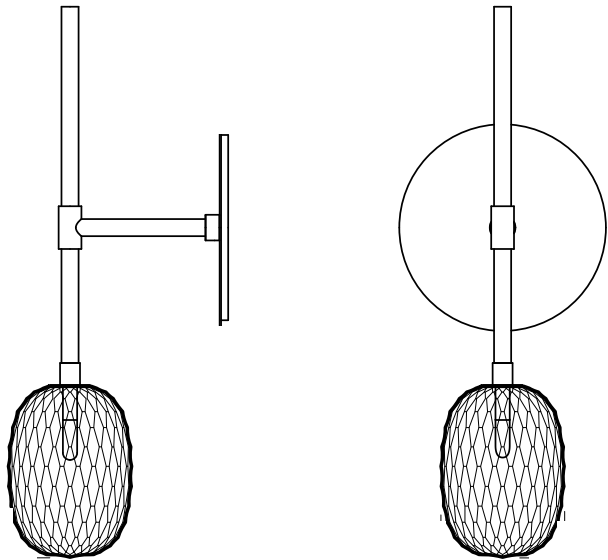


# metamorphosis

Design by  
Rony Plesl



bomma

bomma.cz

TECHNICAL SHEET  
FOR WALL LIGHT FIXTURES

# METAMORPHOSIS

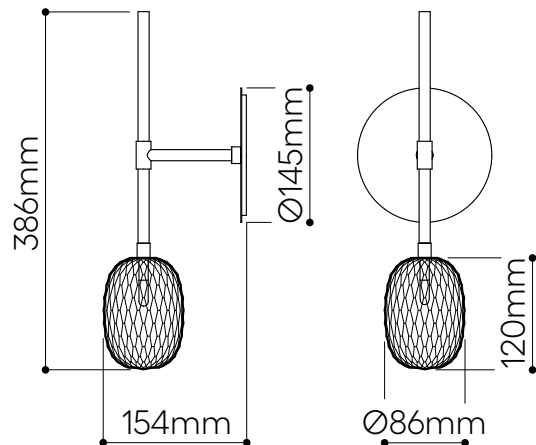
## wall small

Design by  
Rony Plesl

### Handmade glass attributes

All Bomma products are hand-made from mouth-blown lead-free crystal. Therefore any small bubbles and irregularities in the glass are both a proof and a characteristic feature of this traditional craft.

The Metamorphosis Collection is produced in three colors, simply referred to as amber, smoke and clear. The clear version is made from pure crystal glass, while cigar and amber are produced from solid-color crystal. Each piece is original, thanks to the hand-cutting process. The clear and amber versions are cut using a diamond pattern, cigar is decorated with a curved geometric design. Being hand-made, the individual products can slightly differ in tone, color intensity or cut.



### LIGHTING DESCRIPTION

Size	86 × 154 × 386 mm 3,39 × 6,06 × 15,2 inch
Weight	+/- 1,45 kg / 3,2 lb
Glass	mouth-blown lead-free crystal in clear, cigar, amber
Mounting	brushed gold (brushed brass)
Recommended junction box	EU - A.UK1-SH (72mm dia, 60mm min. depth) UL/The Americas - electrical box, Octagon, 4 X 4 inch (1,4 inch min. depth)
Protection	IP 20
Nominal voltage	220-240V / A.C. 50 hz (EU) 110-120 V / A.C. 60 Hz (USA)
Class	II. EU / I. USA

### LIGHT SOURCE

Type	G4, 1,2W LED, 100 lm
Base	G4 (EU) / G4 (USA)
Voltage	12VDC, 100mA
Temperature	2700 K
Color index	RA 90+

Dimming  
EU/Other versions - non-dimmable  
UL/The Americas - TRIAC, ELV

### TRANSFORMER

Primary circuit	100-240V, 50/60 Hz,
Secondary circuit	12VDC, +/-0,5A, 5W

### PACKAGING

Material	Cardboard
Size	220 × 220 × 250 mm 8,6 × 8,6 × 9,8 inch

Origin: traditionally produced in the Czech Republic  
Intellectual property license holder: Bomma Czech Republic (EU)  
Represented by BMRC group s.r.o.

CERTIFICATES

