

Founders Wall

8548401, 8648401, 8748401

I.I

VISUAL COMFORT & Co.

STUDIO COLLECTION

SAVE THESE INSTRUCTIONS!

GENERAL PRODUCT INFORMATION:

These fixtures are intended to be installed utilizing NEC compliant junction boxes.

This product is safety listed for wet locations.

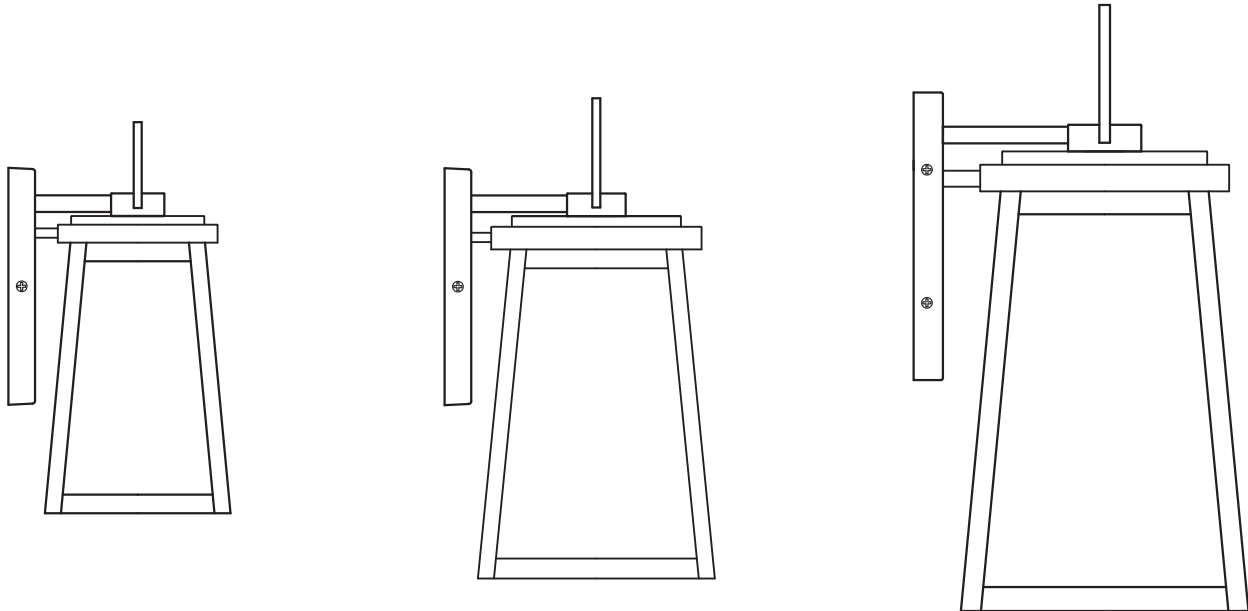
Incandescent version may be dimmed with a standard incandescent dimmer. LED version may be dimmed with a LED dimmer. Consult lamp manufacturer for additional information.

This instruction shows a typical installation.

CAUTION - RISK OF FIRE

This product must be installed in accordance with the applicable installation code by a person familiar with the construction and operation of the product and the hazards involved.

Use minimum 90°c supply conductors.



VISUAL COMFORT & Co.

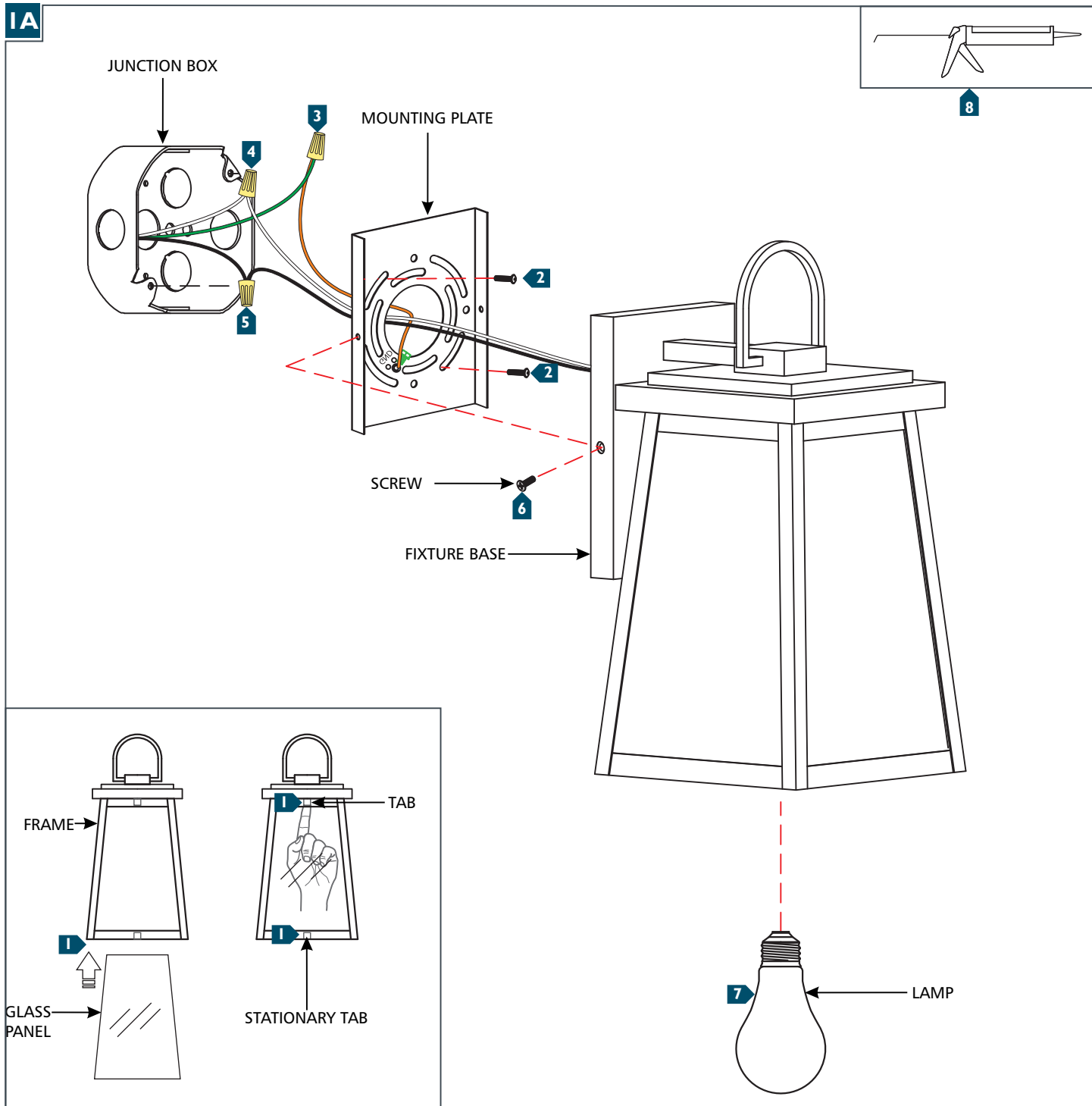
7400 Linder Ave., Skokie, IL 60077

T 847.410.4400 | F

847.410.4500

www.visualcomfort.com

Install the Fixture



- 1** Install the glass one panel at a time into the frame by first inserting it into the bottom stationary tab, position the panel in place, then bend the top tab to secure the panels in place.
- 2** Secure the mounting plate to the junction box.
- 3** Connect the fixture to a suitable ground in accordance to local electrical codes.
- 4** Connect the white fixture wire (square and/or rigid) to the neutral power line wire with a wire nut.
- 5** Connect the black fixture wire (round and/or smooth) to the hot power line wire with a wire nut.
- 6** Neatly place all the wires into the junction box, place the fixture base onto the mounting plate, and secure it in place with cap nuts.
- 7** Screw the lamp into the socket. Refer to the label on the socket for Max Wattage Information.
- 8** Caulk around the base of the fixture with waterproof construction sealant.