

Fullton Semi-Flush Mount

7764203 | 1.0

VISUAL COMFORT & Co.

STUDIO COLLECTION

GENERAL PRODUCT INFORMATION:

These fixtures are intended to be installed utilizing NEC compliant junction boxes.

This product is safety listed for damp locations.

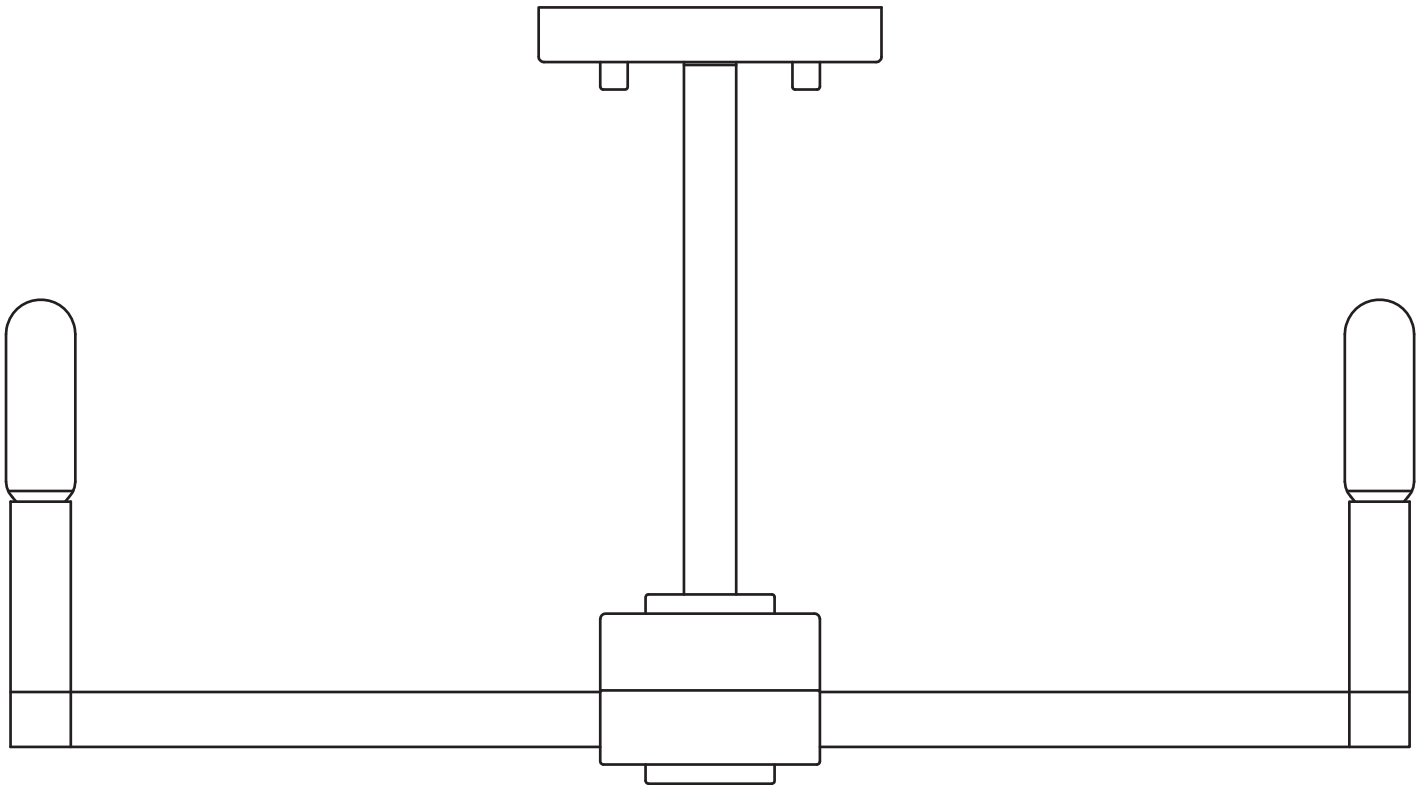
This instruction shows a typical installation.

CAUTION - RISK OF FIRE

This product must be installed in accordance with the applicable installation code by a person familiar with the construction and operation of the product and the hazards involved.

Use minimum 90°C supply conductors.

SAVE THESE INSTRUCTIONS!



VISUAL COMFORT & Co.

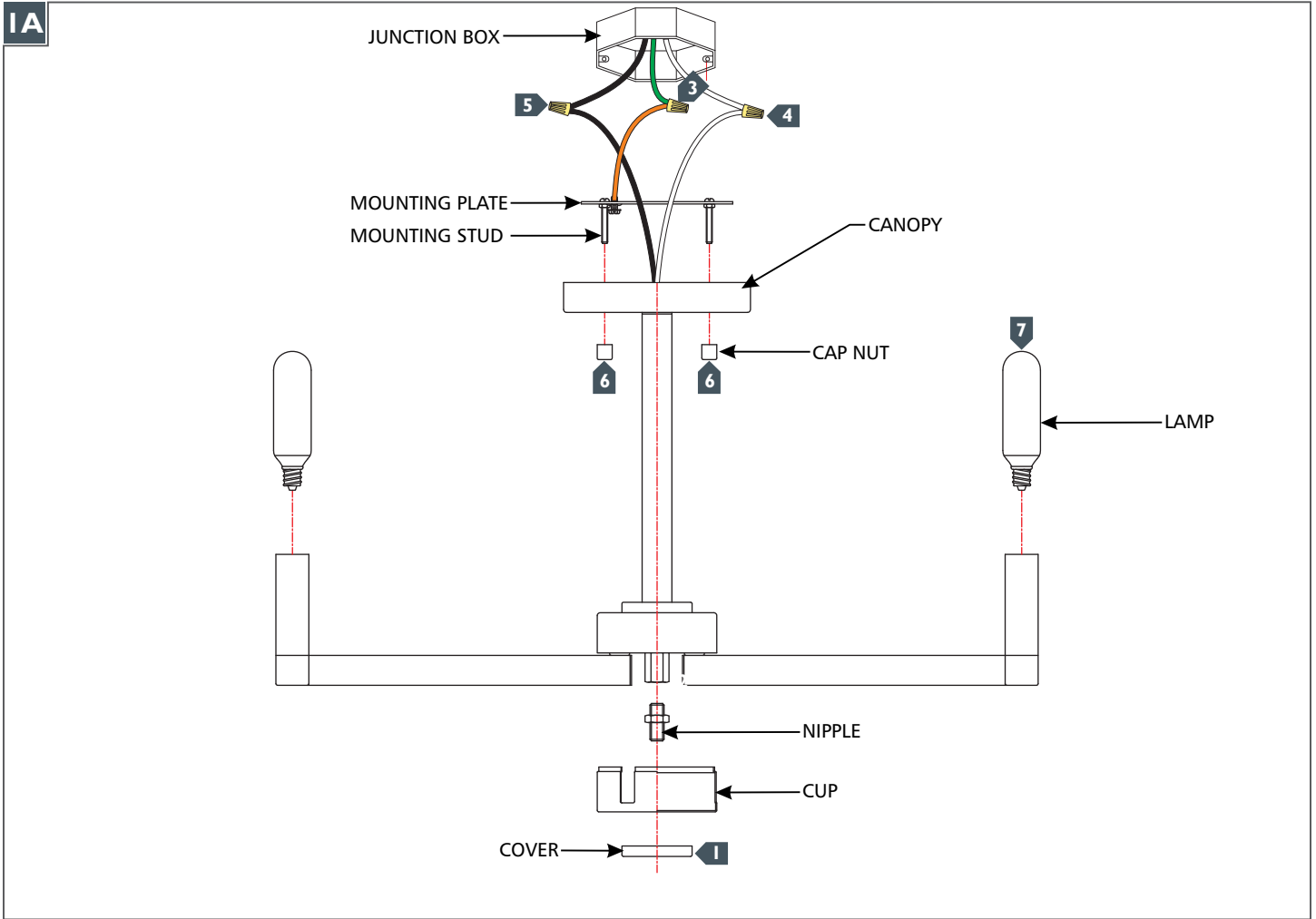
7400 Linder Ave., Skokie, IL 60077

T 847.410.4400 | F

847.410.4500

www.visualcomfort.com

Install the Fixture



- 1 Secure the mounting plate to the junction box.
- 2 Screw the nipple to the bottom of the fixture, then place the cup over the nipple and secure it in place by screwing the cover onto the nipple.
- 3 Connect the fixture to a suitable ground in accordance with local electrical codes.
- 4 Connect the white fixture wire (square and/or rigid) to the neutral power line wire with a wire nut.
- 5 Connect the black fixture wire (round and/or smooth) to the hot power line wire with a wire nut.
- 6 Neatly place all the wires into the junction box, place the canopy onto the mounting studs, and secure it in place by screwing the cap nuts onto the studs.
- 7 Screw the lamps into the sockets. Refer to the label on the socket for Max Wattage Information.