

Huey Pendant

6580301, 6680301 1.0

VISUAL COMFORT & Co.

STUDIO COLLECTION

CAUTION - RISK OF FIRE

This product must be installed in accordance with the applicable installation code by a person familiar with the construction and operation of the product and the hazards involved.

Use minimum 90°c supply conductors.

GENERAL PRODUCT INFORMATION:

These fixtures are intended to be installed utilizing NEC compliant junction boxes.

This product is safety listed for damp locations.

Incandescent version may be dimmed with a standard incandescent dimmer. LED version may be dimmed with a LED dimmer. Consult lamp manufacturer for additional information.

This instruction shows a typical installation.

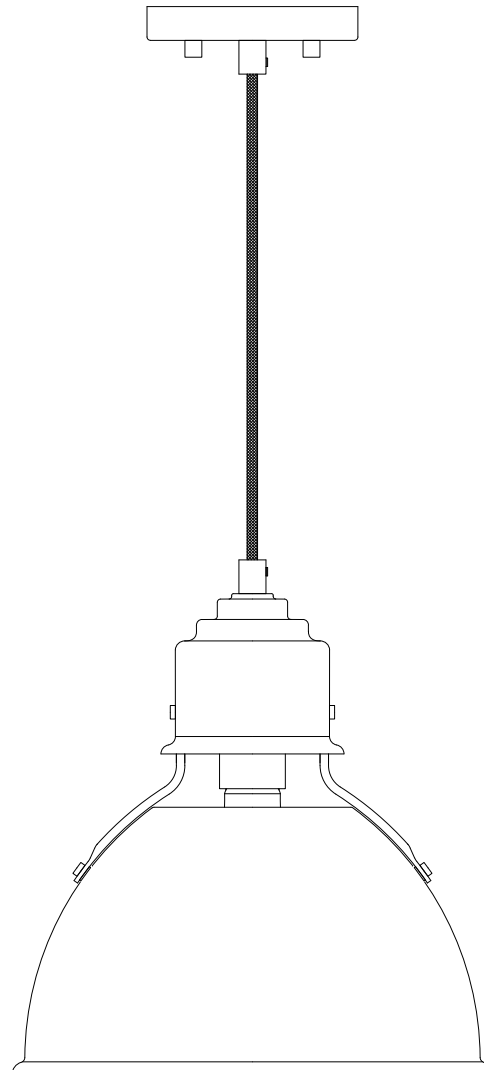
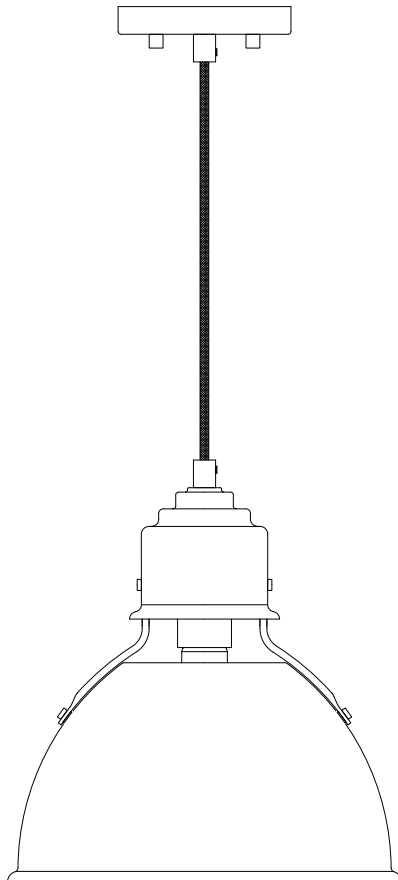
VISUAL COMFORT & Co.

7400 Linder Ave, Skokie, IL 160077

800.969.3347

www.visualcomfort.com

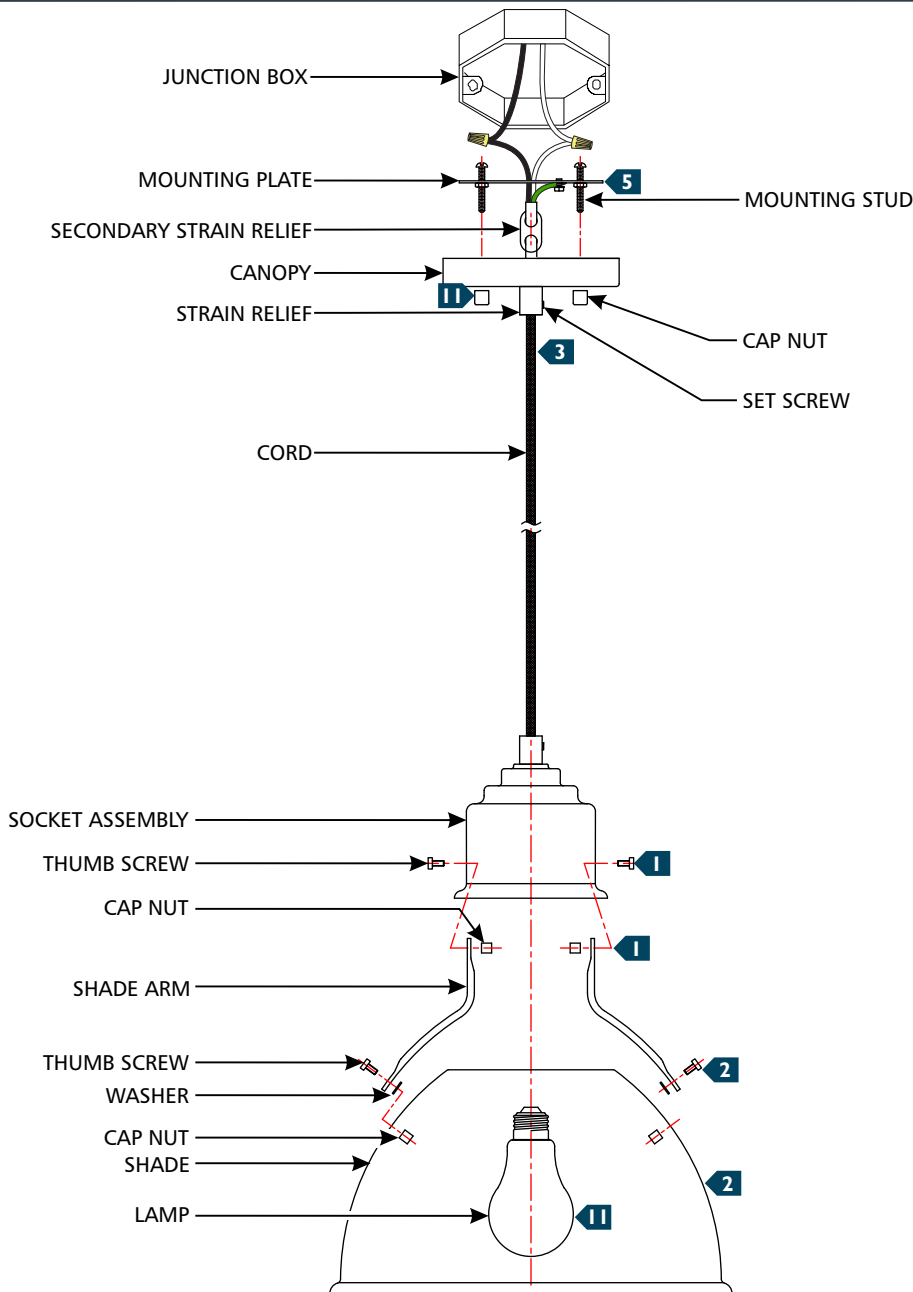
©2023 Visual Comfort & Co.. All rights reserved. The Visual Comfort & Co. logo is a registered trademark of Visual Comfort & Co. Visual Comfort & Co. reserves the right to change specifications for product improvements without notification



SAVE THESE INSTRUCTIONS!

Install the Fixture

1A



- 1** Align the thumb screw with the hole in the socket assembly, then place the shade arm on tho the thumb screw. Gently secure the shade arm with the cap nut. **NOTE: Do not tighten the cap nuts until completion of step 2.**
- 2** Align a thumb screw with the shade arm hole, then place a washer on to the thumb screw. Align the shade hole with the thumb screw and washer, then secure with the cap nut. Once the shade is attached, tighten the cap nuts in the socket assembly.
- 3** Feed the cord through the strain relief, canopy and secondary strain relief, then tighten the set screw.
- 4** Determine the wanted height of the fixture by raising the canopy up to the junction box, loosening the set screw, and moving the cord up or down. Mark the cord at desired height.
- 5** Separate the mounting plate from the canopy by unscrewing and removing the cap nuts, then slide the canopy down the cord.
- 6** Secure the mounting plate to the junction box.
- 7** Trim the cord at the marked point leaving enough for electrical connections. From the end of the cord, strip the insulation 4" and then strip the end of the wires. **NOTE: Make sure not to nick the inner wires.** Re-tighten the set screw.
- 8** Connect the fixture to a suitable ground in accordance to local electrical codes.
- 9** Connect the white fixture wire (square and/or rigid) to the neutral power line wire with a wire nut.
- 10** Connect the black fixture wire (round and/or smooth) to the hot power line wire with a wire nut.
- 11** Properly place all wires and wire nut connections into the junction box/canopy, place the canopy onto the mounting studs, and secure in place by screwing the cap nuts onto the studs.
- 12** Screw the lamp into the socket. Refer to the label on the socket for Max Wattage Information.