

Zire Semi-Flush Mount Convertible Chandelier

3190303 | 1.0

VISUAL COMFORT & Co.

STUDIO COLLECTION

CAUTION - RISK OF FIRE

This product must be installed in accordance with the applicable installation code by a person familiar with the construction and operation of the product and the hazards involved.

Use minimum 90°C supply conductors.

GENERAL PRODUCT INFORMATION:

These fixtures are intended to be installed utilizing NEC compliant junction boxes.

This product is safety listed for damp locations.

Incandescent version may be dimmed with a standard incandescent dimmer. LED version may be dimmed with a LED dimmer. Consult lamp manufacturer for additional information.

This instruction shows a typical installation.

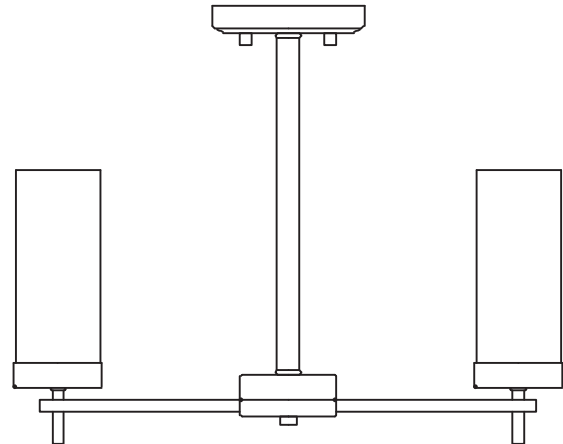
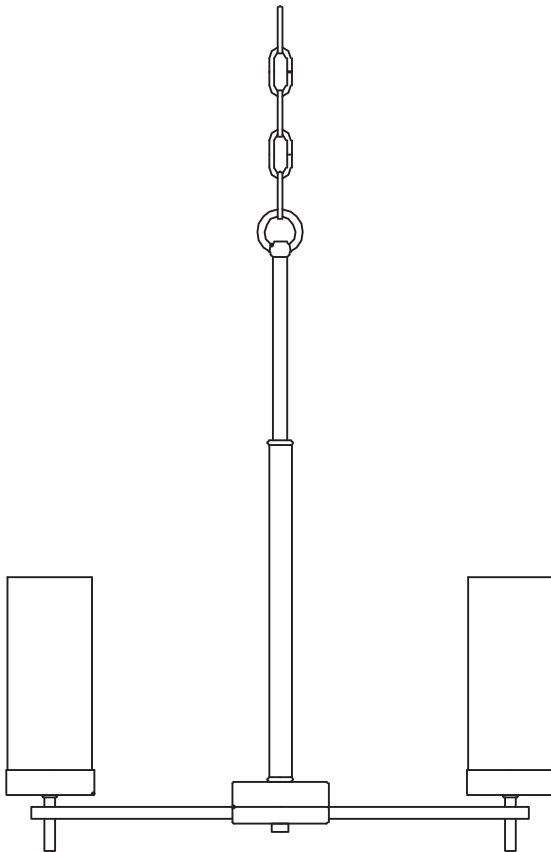
VISUAL COMFORT & Co.

7400 Linder Ave, Skokie, IL 160077

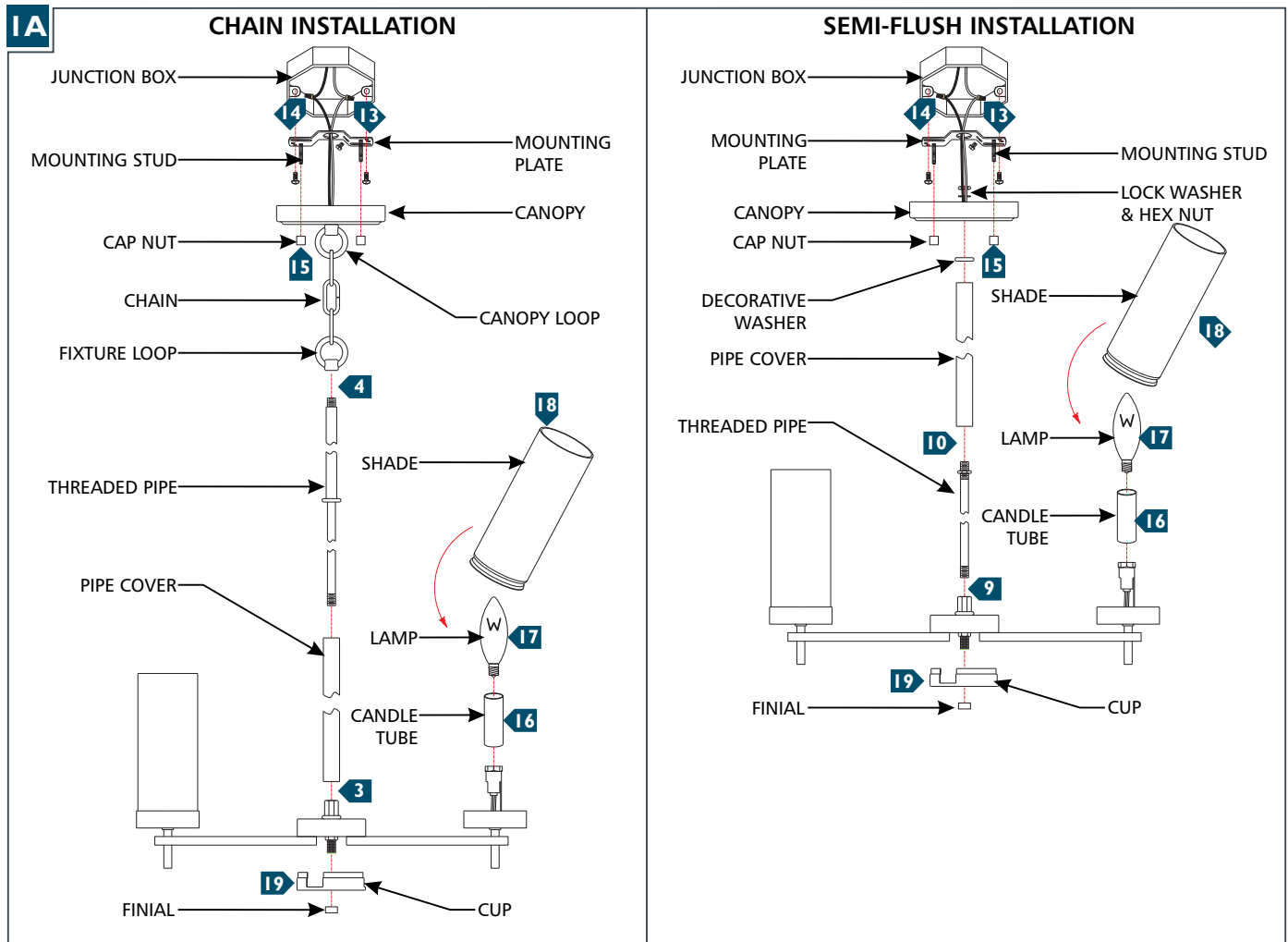
800.969.3347

www.visualcomfort.com

©2023 Visual Comfort & Co.. All rights reserved. The Visual Comfort & Co. logo is a registered trademark of Visual Comfort & Co. Visual Comfort & Co. reserves the right to change specifications for product improvements without notification

**SAVE THESE INSTRUCTIONS!**

Install the Fixture



- 1** This fixture can be installed as a chain hung chandelier or semi-flush mount chandelier. Determine the desired fixture appearance and follow the appropriate steps for your installation.
- 2** Secure the mounting plate to the junction box.
- 3** **Chain Installation Only:** Insert the threaded pipe into the pipe cover, then feed fixture wires through the pipe and screw it onto the top of the fixture.
- 4** **Chain Installation Only:** Feed the fixture wires through the fixture loop and screw it onto the threaded pipe.
- 5** **Chain Installation Only:** Determine the wanted height of the fixture and remove a portion of the chain from the bottom by opening a link with pliers.
- 6** **Chain Installation Only:** Open the chain link with pliers and install the chain on the fixture loop, then re-close the chain link.
- 7** **Chain Installation Only:** Open a link on the other end of the chain with pliers and install the chain onto the canopy loop to secure the fixture, re-close the link with pliers.
- 8** **Chain Installation Only:** Weave the cord through the chain, canopy loop, canopy, and out of the junction box. Trim the cord leaving enough to make electrical connections. **Skip to step 12**
- 9** **Semi-Flush Installation Only:** Feed the fixture wires through the threaded pipe and screw it onto the top of the fixture.
- 10** **Semi-Flush Installation Only:** Feed the fixture wires through the pipe cover and decorative washer, then slide them over the threaded pipe.
- 11** **Semi-Flush Installation Only:** Place the canopy onto the threaded pipe and secure them together using the lock washer and hex nut.
- 12** Connect the fixture to a suitable ground in accordance to local electrical codes.
- 13** Connect the white fixture wire (square and/or rigid) to the neutral power line wire with a wire nut.
- 14** Connect the black fixture wire (round and/or smooth) to the hot power line wire with a wire nut.
- 15** Neatly place all the wires into the junction box, place the canopy onto the mounting studs, and secure it in place by screwing the cap nuts onto the studs.
- 16** Install the candle tubes by sliding them over the sockets.
- 17** Screw the lamps into the sockets. Refer to the label on the socket for Max Wattage Information.
- 18** Place the shade over the socket and into the shade base ensuring that it is secured by the spring clips inside the base. Repeat for remaining shades.
- 19** Install the cup to the bottom of the fixture and secure it in place using the finial.