

Barn Light Dome I Light Large Lantern

8736701 | 1.0

GENERATION LIGHTING
WALL

GENERAL PRODUCT INFORMATION:

These fixtures are intended to be installed utilizing NEC compliant junction boxes.

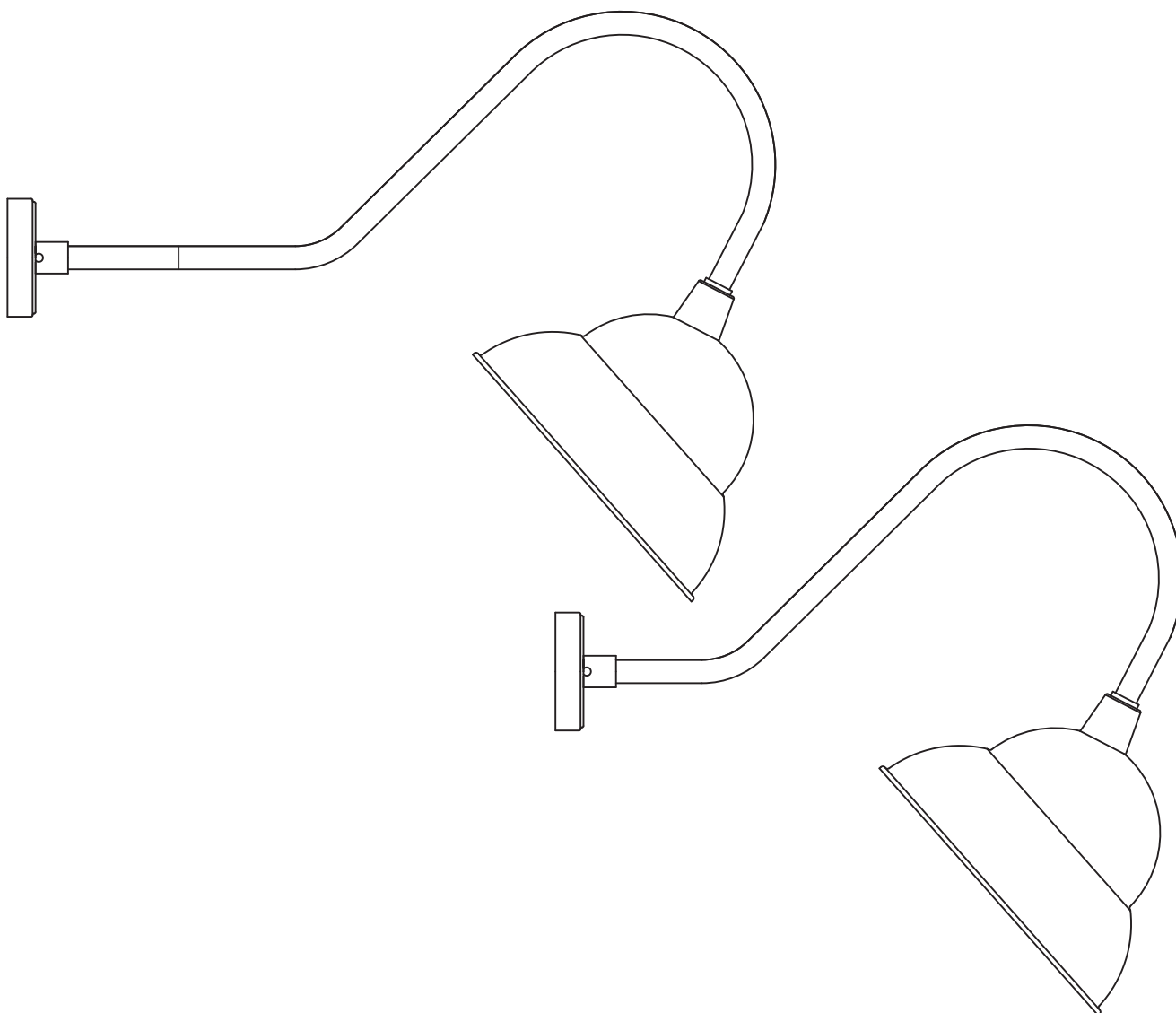
This product is safety listed for wet locations.

Incandescent version may be dimmed with a standard incandescent dimmer. LED version may be dimmed with a LED dimmer. Consult lamp manufacturer for additional information.

This instruction shows a typical installation.

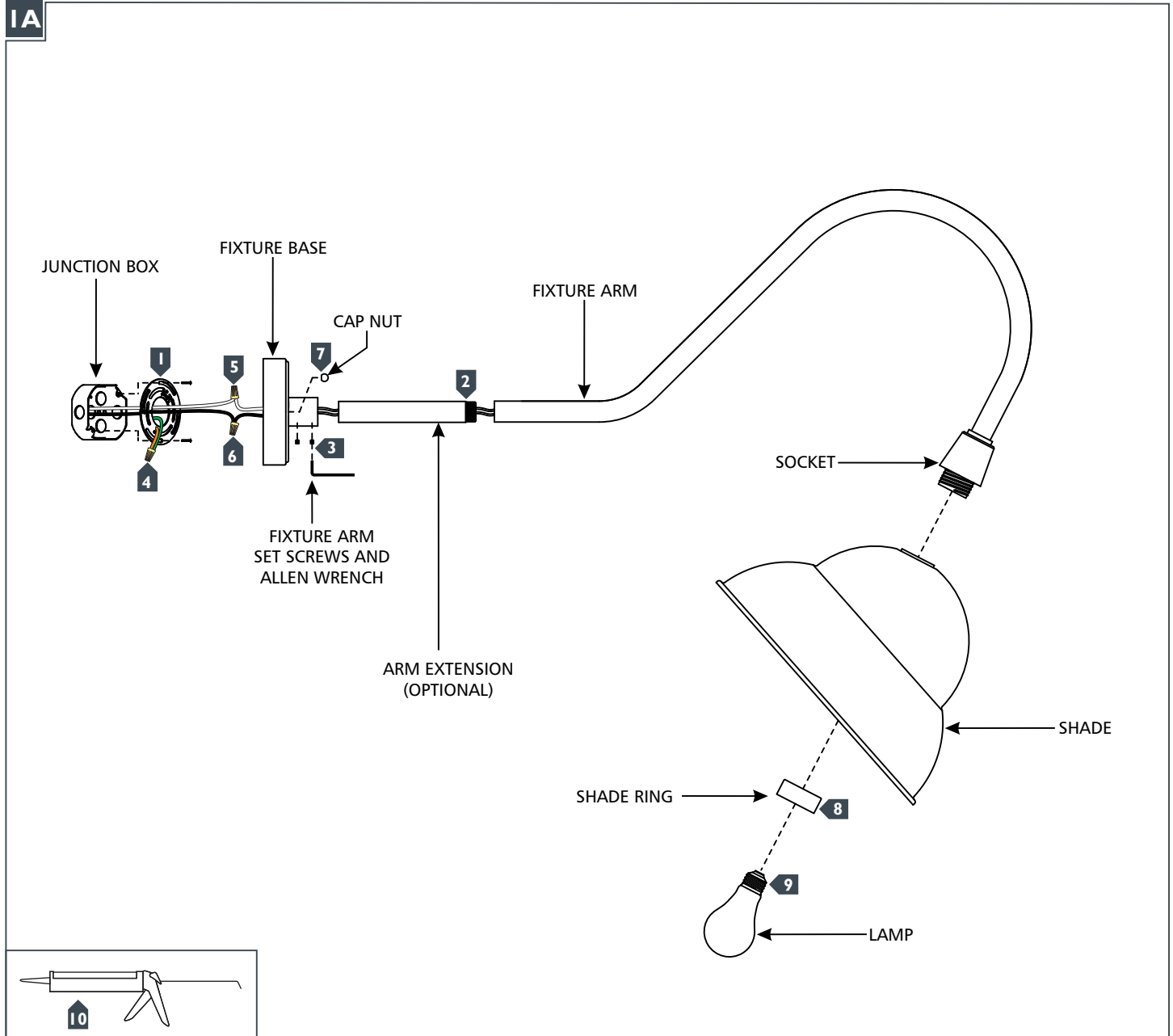
CAUTION - RISK OF FIRE
This product must be installed in accordance with the applicable installation code by a person familiar with the construction and operation of the product and the hazards involved.
Use minimum 90°c supply conductors.

SAVE THESE INSTRUCTIONS!



GENERATION LIGHTING
7400 Linder Ave., Skokie, IL 60077
T 847.410.4400 | F 847.410.4500
www.generationlighting.com

Install the Fixture



- 1** Secure the mounting plate to the junction box.
- 2** The fixture arm may be lengthened using the optional arm extension. Screw the arm extension to end of the fixture arm.
- 3** Feed the fixture wires through the fixture base, insert the fixture arm into to the fixture base, then secure it in place with the two set screws and provided Allen wrench.
- 4** Connect the fixture to a suitable ground in accordance with local electrical codes.
- 5** Connect the white fixture wire to the neutral power line wire with a wire nut.
- 6** Connect the black fixture wire to the hot power line wire with a wire nut.
- 7** Neatly place all the wires into the junction box or fixture base, place the fixture base onto the mounting plate, and secure it in place with the cap nuts.
- 8** Install the shade onto the socket and secure it in place with the socket ring.
- 9** Screw the lamp in to the socket. Refer to the label on the socket for Max Wattage information.
- 10** For wet locations, caulk around the base of the fixture with waterproof construction sealant.