



1718 W. Fullerton Chicago, IL 60614
 Ph: 773.770.1195 • Fax: 773.935.5613
 www.PureEdgeLighting.com • info@PureEdgeLighting.com
 © 2016 PureEdge Lighting. All Rights Reserved.

Installation Instructions for Cirrus Ceiling Wall Wash with Glare Shield

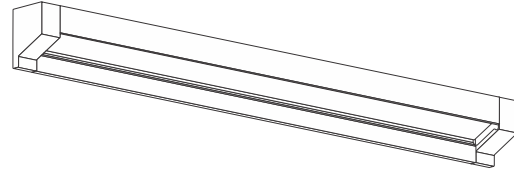
CCWSH _ _ _ _



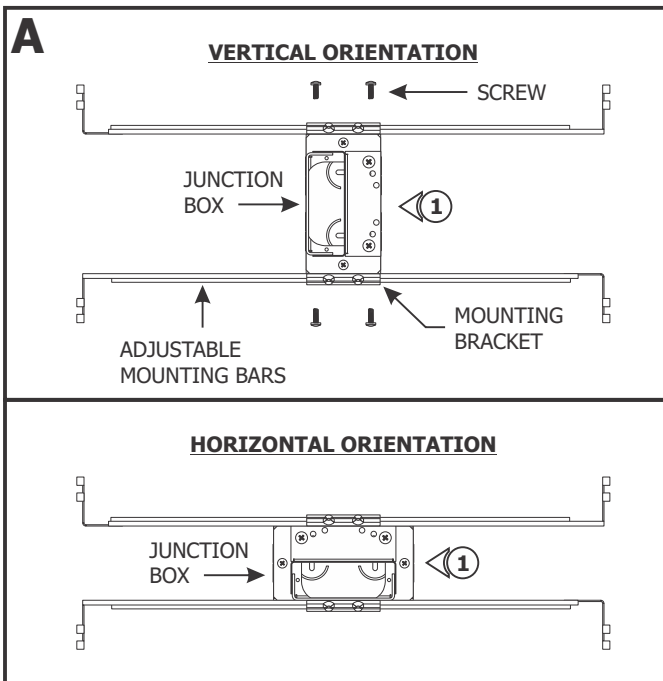
IMPORTANT INFORMATION

- This instruction shows a typical installation.
- This product is ceiling mount.
- The Wall Wash Channel mounts 24" away from the wall.

SAVE THESE INSTRUCTIONS!



Section One: 1" Rectangle Canopy



NOTE: Omit this section if using 4" Square Split Canopy. Refer to Section Two.

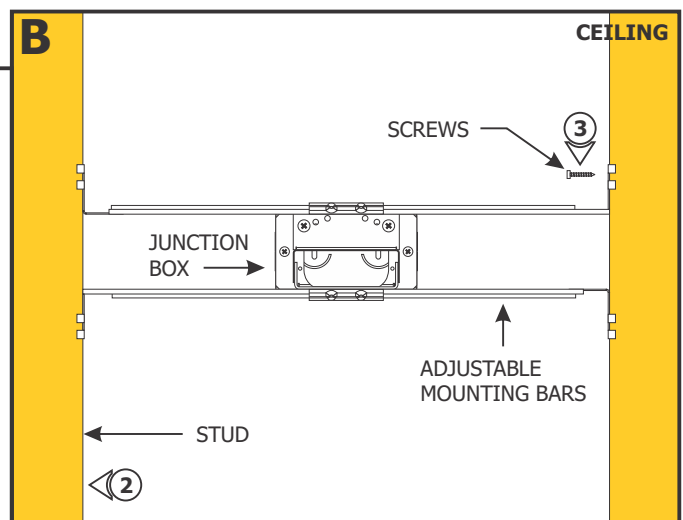
- 1:** Mount each adjustable mounting bar to one side of the junction box (mounts to any side of the housing depending on the orientation of the channel) and secure them with the mounting brackets and Phillips screws provided.

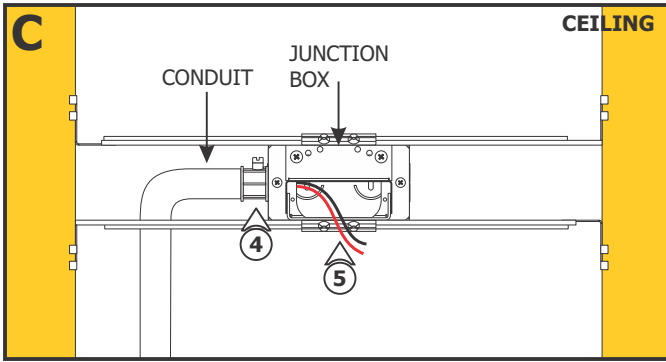
NOTE: The adjustable mounting bars mount to studs that are spaced 15"-24" apart. If the span needs to be shorter than 15", then break the bar arms from dedicated lines.

NOTE: Ensure the opening of the junction box is aligned with the center of the desired fixture location. If necessary, adjust the junction box location by loosening the screws and sliding the junction box to the proper location. Tighten the Phillips screws after adjusting.

- 2:** Select the location between two studs to mount the junction box.

- 3:** Place the lips of the adjustable mounting bars against the studs. Secure the adjustable bars to the studs with the #8 screws.





NOTE: Remote power supply must be installed within 40ft of junction box. Ensure remote power supply wires are present in the junction box. Refer to instructions provided with the power supply.

4: Remove a knockout to install a conduit into the junction box.

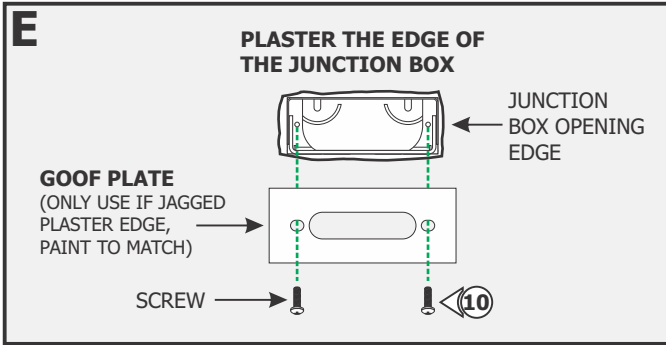
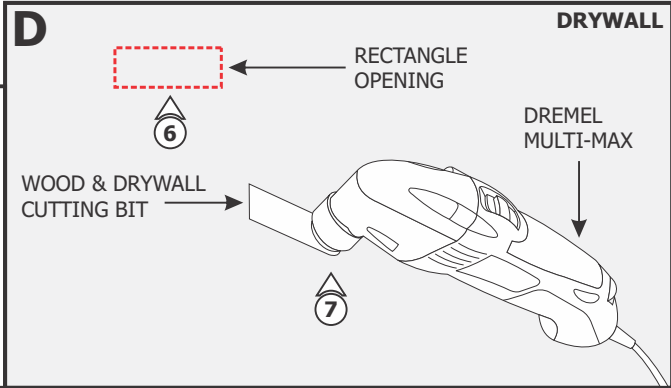
5: Install conduit(s) (if required by local electrical code) and run low-voltage 24VDC power wires coming from the remote power supply to the junction box.

6: Mark a rectangle shape on the drywall where the junction box opening will be located depending on the selected position.

7: Cut out the marked rectangle opening, using a "Dremel Multi-Max" with the "wood & drywall" cutting bit.

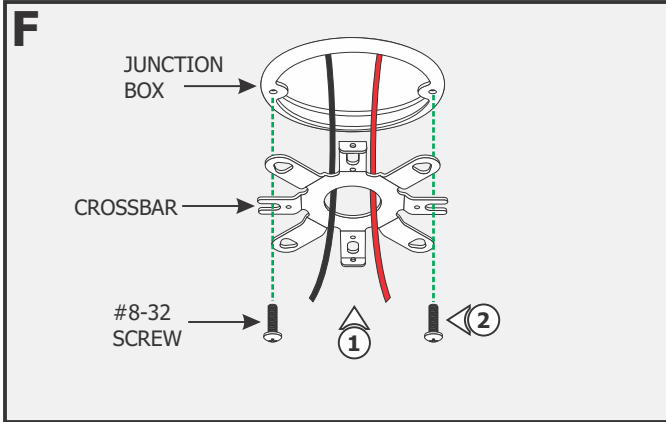
8: Install & finish drywall.

9: Complete installation by following steps in Section Three.



10: Optional: Use the Goof Plate if the junction box opening has imperfection/ jagged edges. Install the provided goof plate (paint to match prior) with the two screws.

Section Two: 4" Square Split Canopy



NOTE: Remote power supply must be installed within 40ft of junction box. Ensure remote power supply wires are present in the junction box. Refer to instructions provided with the power supply.

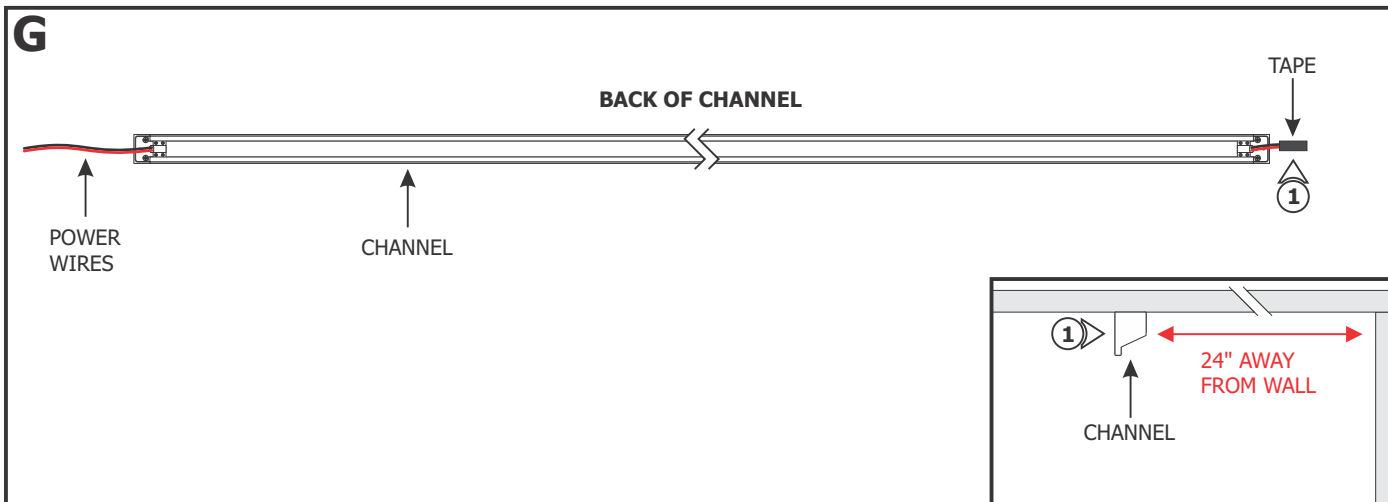
NOTE: Omit this section if using 1" Rectangle Canopy.

1: Feed the low voltage wires from the power supply through the crossbar center hole.

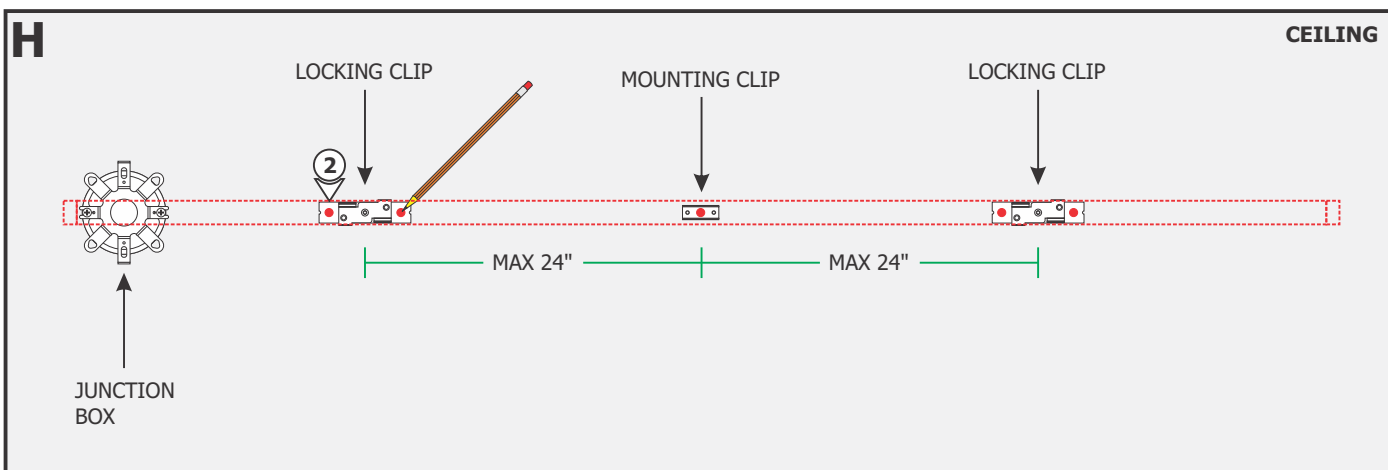
2: Mount the crossbar to the junction box holes using two #8-32 screws.

3: Complete installation by following steps in Section Three.

Section Three: Install the Fixture for Both Versions



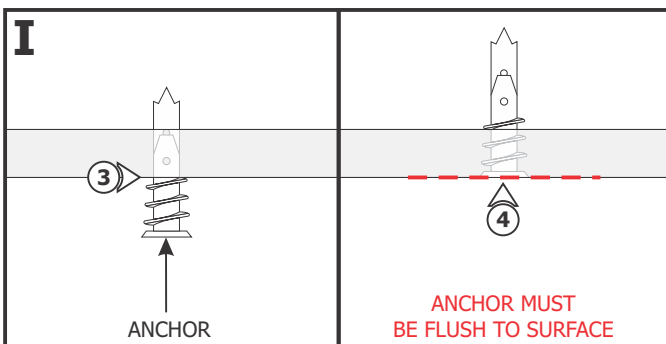
1: The Wall Wash channel mounts in one direction, 24" away from the wall to properly light the desired area. Choose the power wires on one end that is closest to the junction box. Cut the unused wires leaving 2" exposed. Wrap the end of the unused wires with electrical tape.



NOTE: 4" Square Split Canopy shown for demonstration purposes.

NOTE: The channel must pass through the center of the junction box.

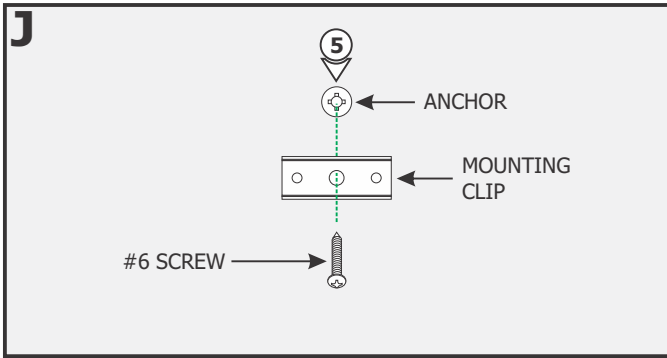
2: Begin installation using side of the channel with power wires. Lay channel to the desired location & make all necessary markings on the ceiling which will consist of the channel ends, mounting clips and locking clips. Clips must be installed maximum 24" from each other.



NOTE: Steps 3 and 4 are for drywall mounting. Omit these steps if mounting the clips to a wood surface directly.

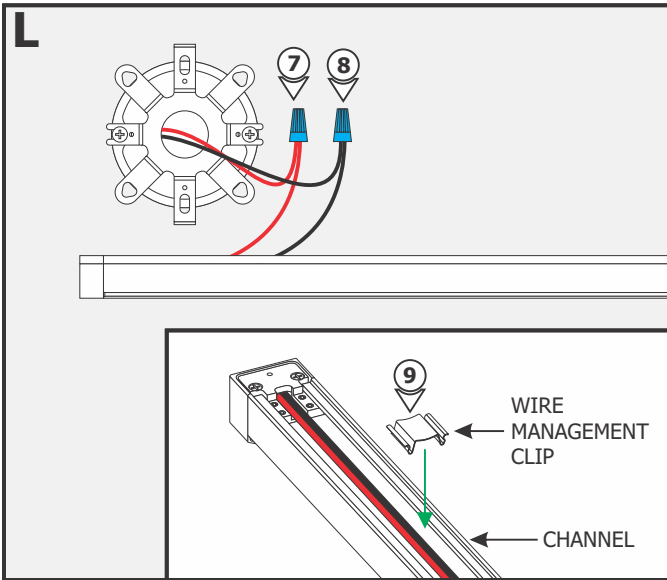
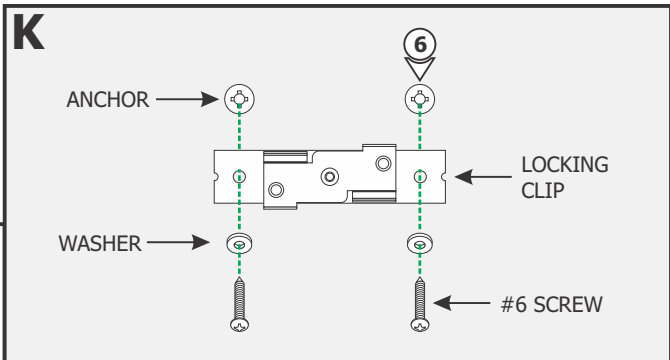
3: Tap the anchors onto the marked points up to the threaded portion with a hammer.

4: Screw in the threaded portion of the anchors with a Phillips screwdriver.

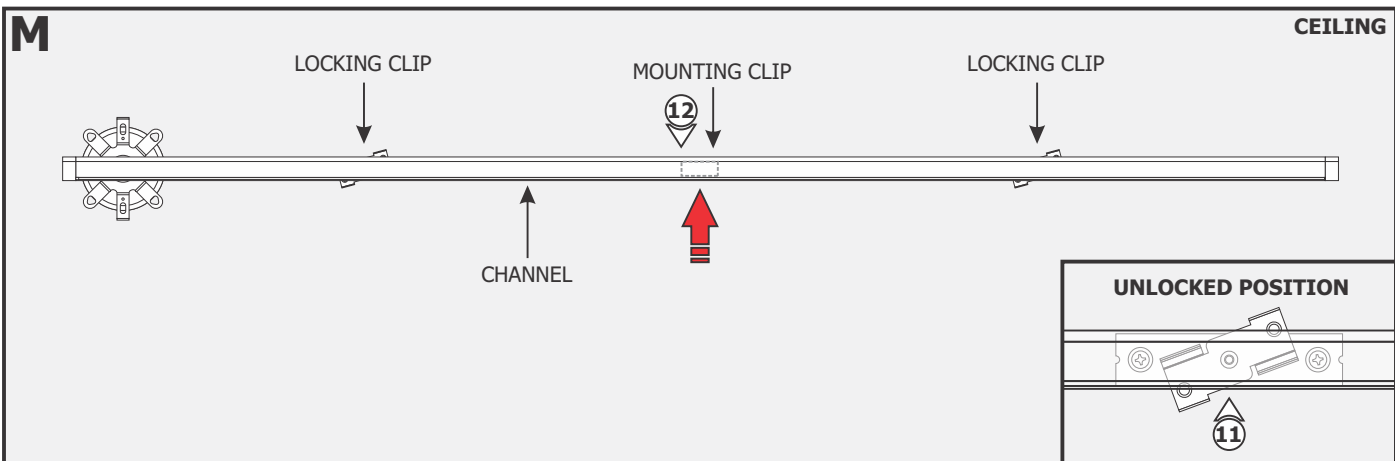


Ceiling Mounting Clips (recommended):
5: Line up the mounting clip to the anchor and secure by tightening the screw through the center clip hole into the anchor.

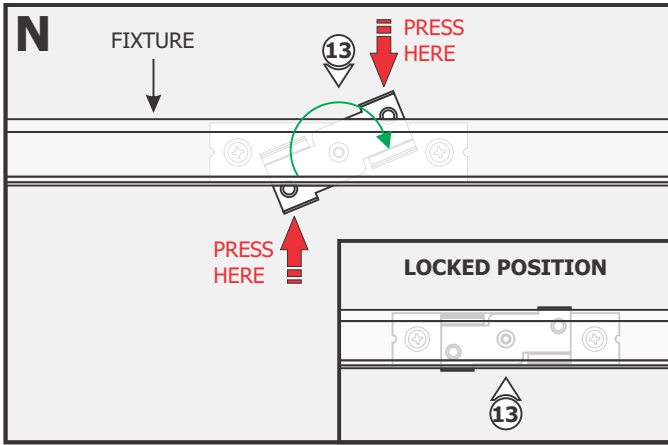
Ceiling Mounting Locking Clip (recommended):
6: Line up the locking clip to the anchors and secure them by tightening the two #6 screws through the washers and clip holes into the anchors.



7: Connect the low voltage +24VDC power supply wire to the red wire of the fixture using a wire nut.
8: Connect the low voltage -24VDC power supply wire to the black wire of the fixture using a wire nut.
9: If necessary, snap the wire management clip to the channel to hold the wires in place.
10: Place all wire nut connections inside the junction box.

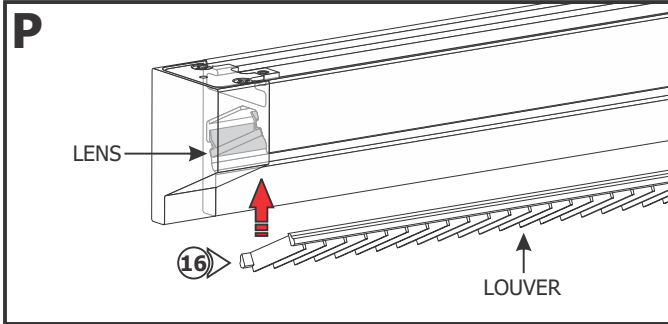
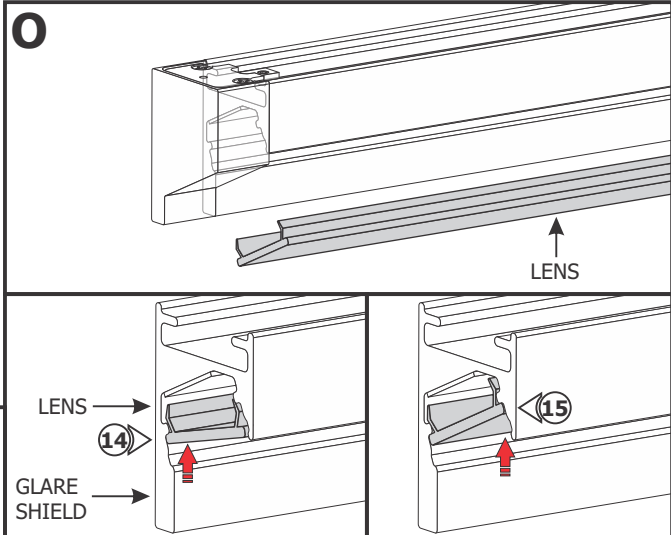


11: Make sure the locking clips are in the unlocked position before installing the fixture to the mounting clips.
12: Carefully SNAP the channel onto the mounting clips. Make sure not to nick the wires.

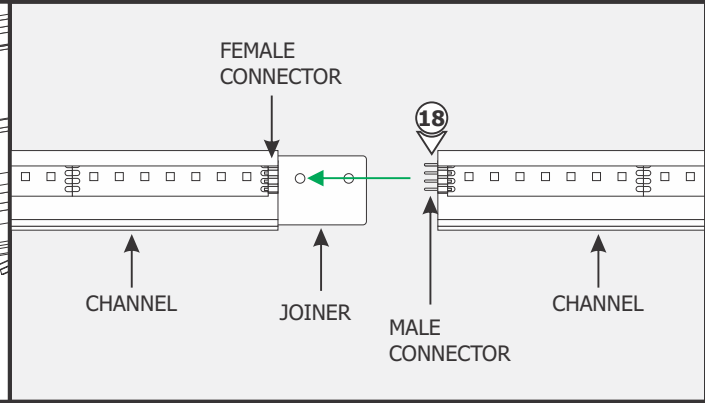
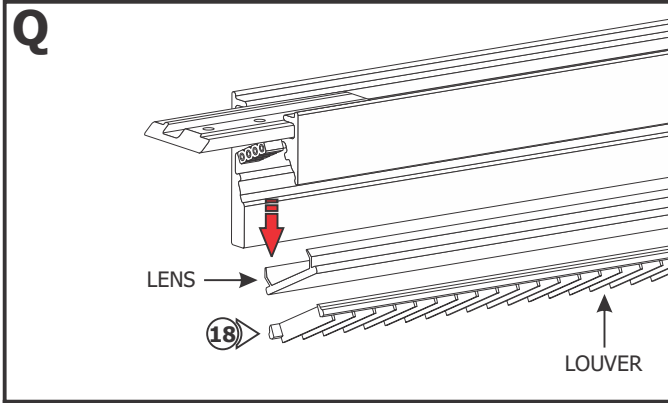


13: Twist each locking clip to lock the fixture in place.

14: If the lens is not pre-installed, first push the lens into the glare shield side of the channel.
15: Snap the rest of the lens into the channel.

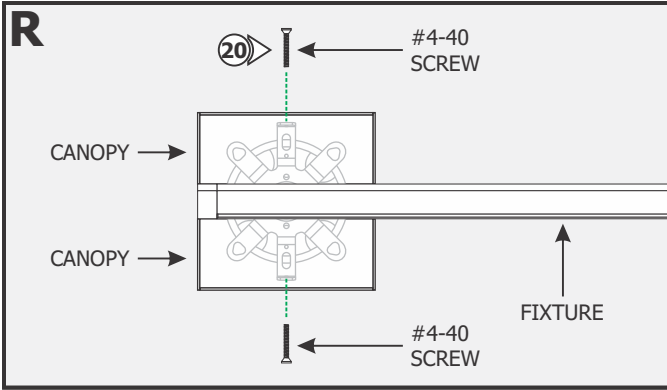


16: If the optional louvers are not pre-installed, then snap the louvers over the lenses.



NOTE: Omit steps 17 through 19 if the channel is made out of a single piece (120" or less).
NOTE: If applicable, multiple channels must be installed to the ceiling one at a time.

17: Snap the second channel onto the mounting clips. Make sure the locking clips are in the unlocked position before installing the second channel to the mounting clips (see step 11 on page 4).
18: Lift a section of the lens or louver at the end of the channels where the connectors are visible. Slide the second channel over the joiner on the first channel making sure that the male & female connectors mate properly. Push the lens or louvers back into the channel.
19: Twist each locking clip to secure the second channel in place (see step 13).



20: For 4" Square Split Canopy installations, place each canopy piece against the fixture and align the canopy holes with the crossbar holes. Secure the canopy pieces in place with the two #4-40 screws and 1/16" Allen wrench provided.

General Wiring Diagrams

