



1718 W. Fullerton Chicago, IL 60614
 Ph: 773.770.1195 • Fax: 773.935.5613
 www.PureEdgeLighting.com • info@PureEdgeLighting.com
 © 2016 PureEdge Lighting. All Rights Reserved.

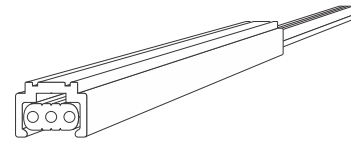
Installation Instructions for Exterior Track and Canopy

TX12-SQ-_-_-

IMPORTANT INFORMATION

- This product is suitable for outdoor locations.
- The fixtures used with the Edge Lighting systems must be identified for use with the corresponding Edge Lighting systems.
- If wiring through building structure, consult a qualified electrician for Class 1 wiring requirements.
- Exterior tracks are available in 4ft or 8ft. Make sure the cable length (sold separately as TX12-CB-BK or TX12-CB-WH) is at least 1ft longer than track. Order minimum 5ft cable for 4ft track.

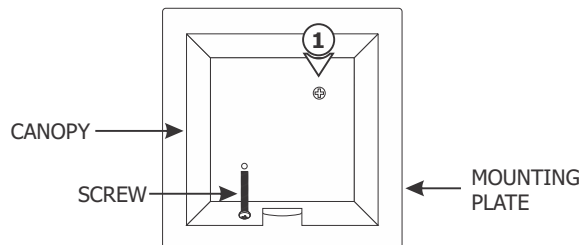
SAVE THESE INSTRUCTIONS!



- The low voltage cable should be protected by routing in close proximity of the luminaire or fitting, or next to a building structure such as a house or deck.
- The low voltage cable have to be cut off so that it is connected to a connector within 6 inches (15.2cm) from a building structure, a luminaire, or fitting.
- The low voltage cable should not be buried except for a maximum 6 inches (15.2cm) in order to connect to the main low voltage cable.

Install the Track

A



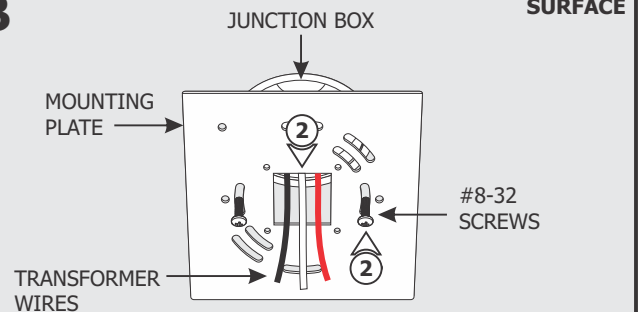
NOTE: Ensure that power to the electrical box is **OFF** before beginning installation.

- 1:** Loosen the two Phillips screws from the canopy to remove the mounting plate.

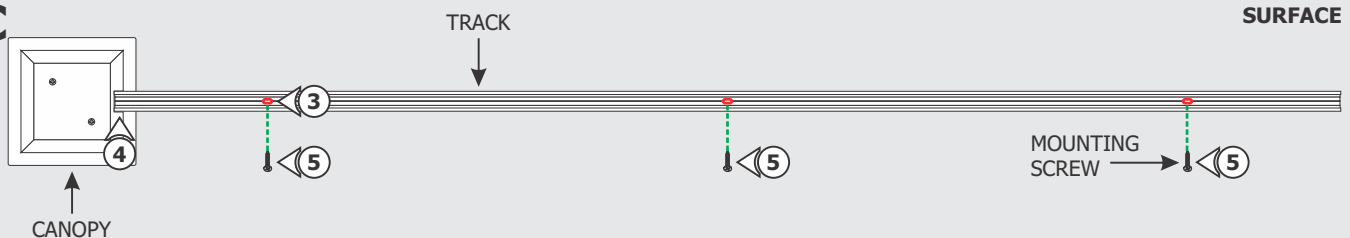
NOTE: Remote transformer wires must be present in the junction box. Refer to the instructions provided with the transformer.

- 2:** Feed the transformer wires through the mounting plate center hole. Secure the mounting plate to the junction box using the two #8-32 Phillips screws.

B

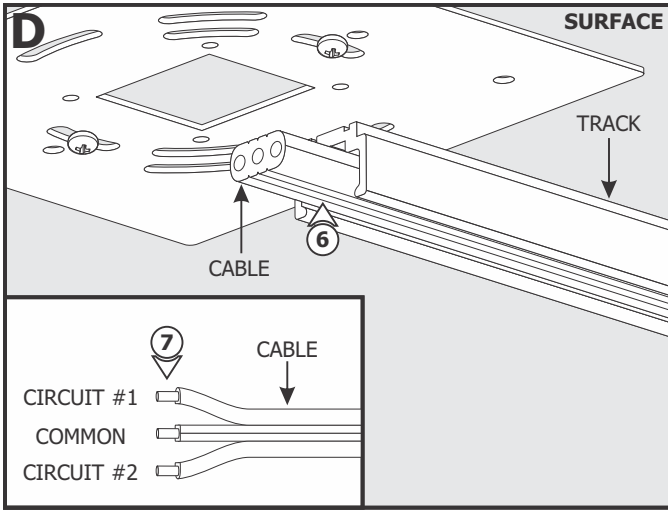


C



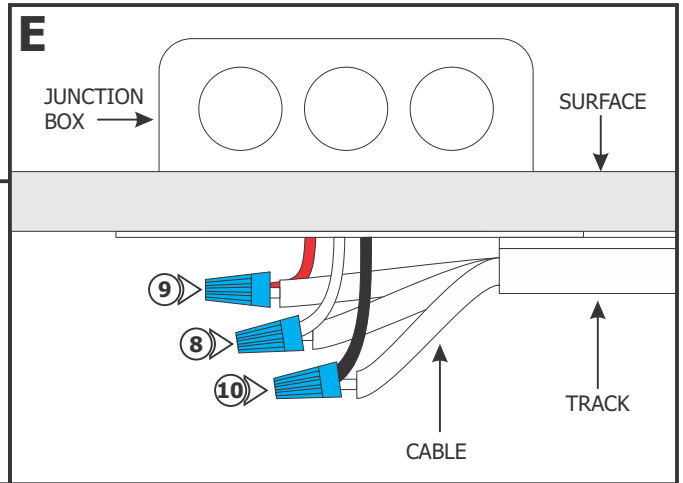
NOTE: Typical installation under outdoor awning or deck.

- 3:** Determine the location of the track on the surface. If necessary, starting 6" from each end, drill six holes for 96" and three holes for 48" long spaced evenly with a 0.156" (5/32") bit. If heavy or multiple fixtures will be installed on the track, drill additional holes as necessary.
- 4:** Slightly attach the cover onto the mounting plate using the two Phillips screws. Place the track against the opening of the cover (**not inside the cover**) and mark the points through the track holes on the surface.
- 5:** Secure the track to the surface using the provided mounting screws and remove the canopy cover. Additional mounting screws are needed for additional holes.



6: Slide the flat cable into the track.

7: Split the wire ends and strip 1/2" off of each wire.

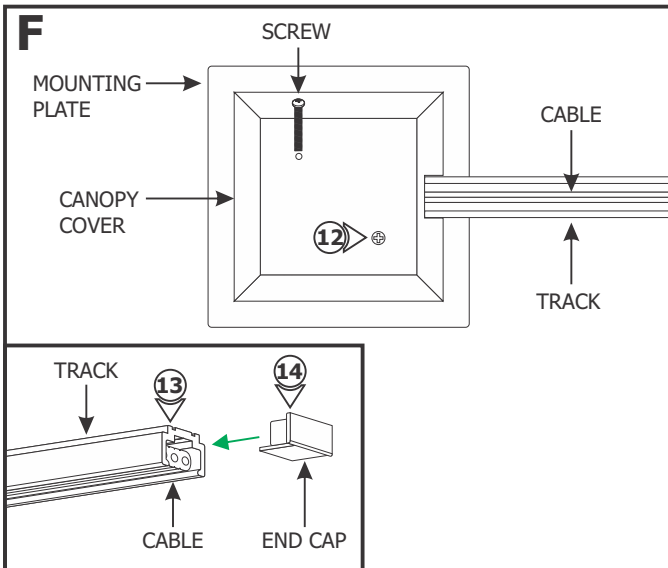


8: Connect the middle flat cable wire to the neutral wire with a wire nut in the junction box.

9: Connect one of the two remaining wires to circuit #1 hot wire with a wire nut in the junction box.

10: Connect the last flat cable wire to circuit #2 hot wire with a wire nut in the junction box.

11: If necessary, refer to the wiring diagram below.



12: Align and place the canopy cover over the mounting plate. Secure it by tightening the two Phillips screws.

13: Cut the other end of the flat cable.

14: Push the end cap into the end of the track.

Wiring Diagram

