

NPR-4RND

4" Pearl LED Round Retrofit Reflector with Round Aperture

Source: 12W LED
1200lm

Type

Project

Catalog No.

Notes

PRODUCT DESCRIPTION

Pearl LED Retrofit series is cULus classified for use in existing IC or Non-IC housings manufactured by Nora and others. The 4" retrofit luminaires deliver over 1200 lumens with deep regressed cone reflector for optimal visual cut-off.

FEATURES

- Comfort Dim (warm dimming) is available in 900lm only
- 2700K, 3000K, 3500K, 4000K @ 90+ CRI
- Field changeable optics included (Spot, Narrow Flood and Flood - installed)
- Integral dimmable driver
- Includes medium base socket adapter for easy retrofitting in 4" recessed housings
- 5-year limited warranty
- ENERGY STAR certified
- cULus classified for wet locations

SPECIFICATION

Construction: Trims are constructed of heat dissipating, die-cast aluminum. The aluminum die-cast LED heat sink is threaded to fit the trim and transfer heat.

Mounting: Luminaire includes friction blades to mount securely to housing.

OPTICS

Three field changeable optics (spot, narrow flood and flood) are included with each LED module. Premium 22° and 26° TIR optics are also available.

ELECTRICAL

Input Voltage: 120V

Lumens / Wattage: 1200lm / 12W (900lm w/ Comfort Dim)

Color Temperature: 2700K, 3000K, 3500K, 4000K

Color Rendering Index: 90+CRI

Beam Spread: 29° Spot, 44° Narrow Flood, 61° Flood

Operating Temperature: 0°C to 25°C

Lifetime: 50,000 hours @ L70

Comfort Dim: Comfort Dim color tunes the temperature from a bright 3100K, to a romantic and comfortable 2000K on a gradual, even curve. Available in 900lm only.

Dimming: Triac (leading edge) or ELV (trailing edge)

[Click Here](#) or check complete dimmer list at

www.NoraLighting.com in the "Compatibility" page under "Resources" tab

COMPATIBLE HOUSINGS

Pearl retrofits are compatible with most 4" IC and Non-IC housings by Nora and others.

Fire Box

NFBIC-4LMRATA* ICAT Dedicated LED

NFBIC-4INCATA ICAT Line Voltage

New Construction

NSIC-4LMRAT* Max. Adjustability ICAT Dedicated LED

NHIC-4LMRAT* ICAT Dedicated LED

NHIC-4LMRAT/277* ICAT Dedicated LED, 277V (includes step-down transformer)

NSIC-401QAT ICAT Line Voltage

NS-401QAT AT Line Voltage

NHIC-4G24AT ICAT GU24

Remodel

NHRIC-4LMRAT* ICAT Dedicated LED

NSRIC-404QAT ICAT Line Voltage

NSR-404QAT AT Line Voltage

* Nora Dedicated LED housings are cULus listed for use only with Nora LED Retrofits.

Retrofit: Pearl retrofit series includes medium base screw-socket adapter (NRA-211SM) for retrofitting into existing medium base downlight housings. GU24 socket adapter is available for use with GU24 housings, must specify NRA-212SM.

Accessories: Luminaires can accommodate (1) hex louver and (1) translucent deco collar or opaque snoot, no accessory holder is required, see page 2.

LABELS AND LISTINGS

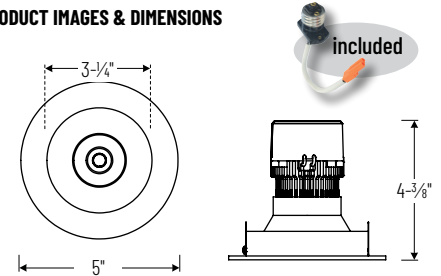
- cULus classified for Wet Locations
- ENERGY STAR certified
- RoHS compliant
- [5-Year Limited Warranty](#)
- Certified to the high efficacy requirements of California Title 24 JA8-2022



| Performance Data | | | |
|-----------------------|--------|-------|--------|
| Part Number | Lumens | CCT | Optic |
| NPR-4RND30XMPW | 1218lm | 4000K | Spot |
| NPR-4RND30XMPW | 1225lm | 4000K | Narrow |
| NPR-4RND30XMPW | 1200lm | 4000K | Flood |

Delivered lumens will vary depending on CCT, optic and finish

PRODUCT IMAGES & DIMENSIONS



NPR-4RND

Round Reflector with Round Aperture
Non-Adjustable



BB
Black Reflector
Black Flange



BW
Black Reflector
White Flange



BZ
Bronze Reflector
Bronze Flange



CHMPW
Champagne Haze Reflector
Matte Powder White Flange



CMPW
Specular Clear Reflector
Matte Powder White Flange



HW
Haze Reflector
White Flange



HZMPW
Haze Reflector
Matte Powder White Flange



MPW
Matte Powder White Reflector
Matte Powder White Flange



NN
Natural Metal Reflector
Natural Metal Flange



WW
White Reflector
White Flange

4" Pearl LED Round Retrofit Reflector with Round Aperture

| Trim Type | Color Temperature | Finish |
|-------------------------------------------------------|-------------------------------------------|---------------------------------------------------|
| NPR-4RND = Round Reflector with Round Aperture | 27X = 2700K | BB = Black / Black |
| | 30X = 3000K | BW = Black / White |
| | 35X = 3500K | BZ = Bronze / Bronze |
| | 40X = 4000K | CHMPW = Champagne / Matte Powder White |
| | CDX = Comfort Dim | CMPW = Specular Clear / Matte Powder White |
| | | HW = Haze / White |
| | HZMPW = Haze / Matte Powder White | |
| | MPW = Matte Powder White | |
| | NN = Natural Metal / Natural Metal | |
| | WW = White / White | |

Example: **NPR-4RND27XWW** = 4" Pearl LED Round Retrofit Reflector with Round Aperture, 2700K, White finish

Pearl LED Retrofit Accessories

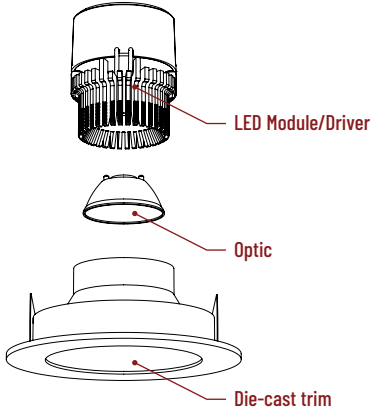
4" Pearl LED Round Retrofit Reflector with Round Aperture

| |
|-------------|
| Type |
| Project |
| Catalog No. |
| Notes |

FIELD CHANGEABLE OPTICS

Pearl luminaires include spot, narrow flood and flood optics. Optics can be changed in the field by removing LED module from die-cast trim. Optional frosted and TIR optics are also available.

Note: Premium TIR optics are not compatible with Comfort Dim LED modules.



Frosted Filter-Optic

| | |
|--------------|-----------|
| NIO-REFL38FR | 60° Optic |
| NIO-REFL60FR | 73° Optic |

Replaces optics that are included with each LED module.



Premium TIR Optics

| | |
|---------------|-----------|
| NIO-REFLTIR15 | 22° Optic |
| NIO-REFLTIR25 | 26° Optic |

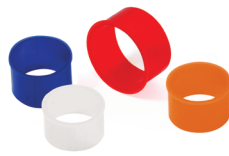
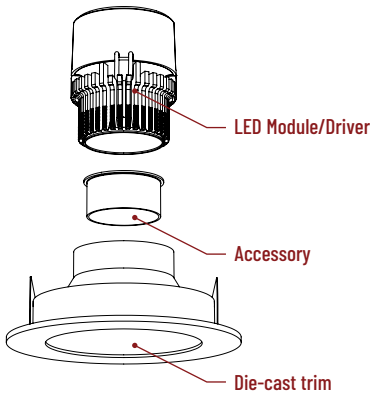
Premium TIR (total internal reflection) optics create optimal spot and narrow flood beam spread.

Not compatible with Comfort Dim (CDX) LED module

ACCESSORIES

Pearl accessories can be added at any point in the design process. Accessories easily install between LED module and die-cast trim.

Luminaire will accommodate (1) hex louver and (1) collar accessory, no accessory holder required.



Translucent Decorative Collar

| | |
|-----------------------------------------------|-------------|
| NIO-AS14(color) | 5/8" length |
| NIO-AS19(color) | 3/4" length |
| NIO-AS26(color) | 1" length |
| Color: | |
| AM (amber), BLU (blue), FR (frosted), R (red) | |

Translucent collars color the aperture with the specified color while producing white general light. Collars are available in different lengths. Use to add interest, create a theme, match a theme or define a space.



Opaque Collar Snoot

| | |
|---------------------------------------------------|-------------|
| NIO-AS14(color) | 5/8" length |
| NIO-AS19(color) | 3/4" length |
| NIO-AS26(color) | 1" length |
| Color: | |
| BLK (black), MPW (matte powder white), WH (white) | |

Opaque snoot greatly reduces aperture brightness while preserving light output. (Note: Black snoot will reduce light)



Hex Cell Louver

| | |
|--------|-------|
| NIO-HC | Black |
|--------|-------|

Hex cell louver subtly reduces aperture brightness by reducing light output by about 20%.

PHOTOMETRICS

4" Pearl LED Round Retrofit Reflector with Round Aperture

Type

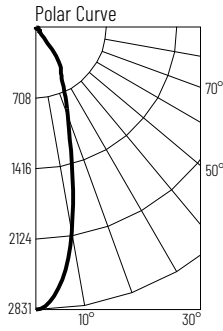
Project

Catalog No.

Notes

Test Information

Test Number: NTR1885R1
 Part Number: NPR-4RND40XWW
 Beam Spread: 29° Spot
 Lumens: 1218lm
 Wattage: 11.89W
 Efficacy: 102pw
 CCT / CRI: 4000K / 90 CRI
 Spacing Criteria (0°-180°): 0.48
 Spacing Criteria (90°-270°): 0.48



Illuminance at a Distance

| Distance from Luminaire | FC at Nadir | Beam Diameter |
|-------------------------|-------------|---------------|
| 4' | 177fc | 2' |
| 6' | 78.7fc | 3' |
| 8' | 44.2fc | 4'-1" |
| 10' | 28.3fc | 5'-1" |
| 12' | 19.7fc | 6'-1" |

Zonal Lumen Summary

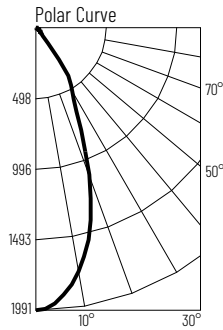
| Zone | Lumens | % Luminaire |
|--------|--------|-------------|
| 0-30 | 928 | 76.2 |
| 0-40 | 1122 | 92.1 |
| 0-60 | 1194 | 98.1 |
| 0-90 | 1218 | 100 |
| 90-180 | 0 | 0 |
| 0-180 | 1218 | 100 |

Candela Table

| Vertical Angles | Candela |
|-----------------|---------|
| 0 | 2831 |
| 5 | 2547 |
| 15 | 1324 |
| 25 | 716 |
| 35 | 346 |
| 45 | 58 |

Test Information

Test Number: NTR1886R1
 Part Number: NPR-4RND40XWW
 Beam Spread: 44° Narrow Flood
 Lumens: 1225lm
 Wattage: 11.91W
 Efficacy: 103pw
 CCT / CRI: 4000K / 90 CRI
 Spacing Criteria (0°-180°): 0.7
 Spacing Criteria (90°-270°): 0.7



Illuminance at a Distance

| Distance from Luminaire | FC at Nadir | Beam Diameter |
|-------------------------|-------------|---------------|
| 4' | 124fc | 3'-2" |
| 6' | 55.3fc | 4'-10" |
| 8' | 31.1fc | 6'-5" |
| 10' | 19.9fc | 8' |
| 12' | 13.8fc | 9'-7" |

Zonal Lumen Summary

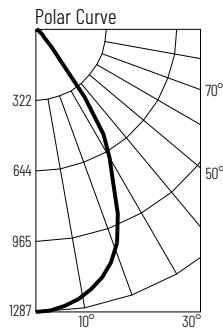
| Zone | Lumens | % Luminaire |
|--------|--------|-------------|
| 0-30 | 932 | 76.1 |
| 0-40 | 1128 | 92.1 |
| 0-60 | 1200 | 98 |
| 0-90 | 1225 | 100 |
| 90-180 | 0 | 0 |
| 0-180 | 1225 | 100 |

Candela Table

| Vertical Angles | Candela |
|-----------------|---------|
| 0 | 1991 |
| 5 | 1906 |
| 15 | 1444 |
| 25 | 771 |
| 35 | 338 |
| 45 | 55 |

Test Information

Test Number: NTR1887R1
 Part Number: NPR-4RND40XWW
 Beam Spread: 61° Flood
 Lumens: 1200lm
 Wattage: 11.94W
 Efficacy: 100pw
 CCT / CRI: 4000K / 90 CRI
 Spacing Criteria (0°-180°): 0.94
 Spacing Criteria (90°-270°): 0.94



Illuminance at a Distance

| Distance from Luminaire | FC at Nadir | Beam Diameter |
|-------------------------|-------------|---------------|
| 4' | 80.5fc | 4'-8" |
| 6' | 35.8fc | 7'-1" |
| 8' | 20.1fc | 9'-6" |
| 10' | 12.9fc | 11'-11" |
| 12' | 8.9fc | 14'-2" |

Zonal Lumen Summary

| Zone | Lumens | % Luminaire |
|--------|--------|-------------|
| 0-30 | 838 | 69.9 |
| 0-40 | 1089 | 90.8 |
| 0-60 | 1173 | 97.8 |
| 0-90 | 1200 | 100 |
| 90-180 | 0 | 0 |
| 0-180 | 1200 | 100 |

Candela Table

| Vertical Angles | Candela |
|-----------------|---------|
| 0 | 1287 |
| 5 | 1268 |
| 15 | 1146 |
| 25 | 875 |
| 35 | 431 |
| 45 | 65 |

Lumen Output Multipliers

Color Temperature: 2700K (0.9), 3000K (0.92), 3500K (0.97), 4000K (1.0)