

NPR-4SNDQ

4" Pearl LED Square Retrofit Reflector with Square Aperture

Source: 12W LED
1150lm

PRODUCT DESCRIPTION

Pearl LED Retrofit series is cULus classified for use in existing IC or Non-IC housings manufactured by Nora and others. The 4" retrofit luminaires deliver over 1150 lumens with deep regressed cone reflector for optimal visual cut-off.

FEATURES

- Comfort Dim (warm dimming) is available in 850lm only
- 2700K, 3000K, 3500K, 4000K @ 90+ CRI
- Field changeable optics included (Spot, Narrow Flood and Flood - installed)
- Integral dimmable driver
- Includes medium base socket adapter for easy retrofitting in 4" recessed housings
- 5-year limited warranty
- ENERGY STAR certified
- cULus classified for wet locations

SPECIFICATION

Construction: Trims are constructed of heat dissipating, die-cast aluminum. The aluminum die-cast LED heat sink is threaded to fit the trim and transfer heat.

Mounting: Luminaire includes friction blades to mount securely to housing.

OPTICS

Three field changeable optics (spot, narrow flood and flood) are included with each LED module. Premium 22° and 26° TIR optics are also available.

ELECTRICAL

Input Voltage: 120V

Lumens / Wattage: 1150lm / 12W (850lm w/ Comfort Dim)

Color Temperature: 2700K, 3000K, 3500K, 4000K

Color Rendering Index: 90+CRI

Beam Spread: 27° Spot, 37° Narrow Flood, 51° Flood

Operating Temperature: 0°C to 25°C

Lifetime: 50,000 hours @ L70

Comfort Dim: Comfort Dim color tunes the temperature from a bright 3100K, to a romantic and comfortable 2000K on a gradual, even curve. Available in 850lm only.

Dimming: Triac (leading edge) or ELV (trailing edge)

[Click Here](#) or check complete dimmer list at www.NoraLighting.com in the "Compatibility" page under "Resources" tab

COMPATIBLE HOUSINGS

Pearl retrofits are compatible with most 4" IC and Non-IC housings by Nora and others.

Fire Box

[NFBIC-4LMRATA*](#) ICAT Dedicated LED

[NFBIC-4INCATA](#) ICAT Line Voltage

New Construction

[NSIC-4LMRAT*](#) Max. Adjustability ICAT Dedicated LED

[NHIC-4LMRAT*](#) ICAT Dedicated LED

[NHIC-4LMRAT/277*](#) ICAT Dedicated LED, 277V

(includes step-down transformer)

[NSIC-401QAT](#) ICAT Line Voltage

[NS-401QAT](#) AT Line Voltage

[NHIC-4G24AT](#) ICAT GU24

Remodel

[NHRIC-4LMRAT*](#) ICAT Dedicated LED

[NSRIC-404QAT](#) ICAT Line Voltage

[NSR-404QAT](#) AT Line Voltage

* Nora Dedicated LED housings are cULus listed for use only with Nora LED Retrofits.

Retrofit: Pearl retrofit series includes medium base screw-socket adapter (NRA-211SM) for retrofitting into existing medium base downlight housings. GU24 socket adapter is available for use with GU24 housings, must specify NRA-212SM.

Accessories: Luminaires can accommodate (1) hex louver and (1) translucent deco collar or opaque snoot, no accessory holder is required, see accessories page.

LABELS AND LISTINGS

- cULus classified for Wet Locations
- ENERGY STAR certified
- RoHS compliant
- [5-Year Limited Warranty](#)
- Certified to the high efficacy requirements of California Title 24 JA8-2022



Type

Project

Catalog No.

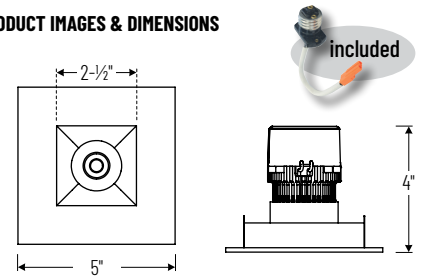
Notes

Performance Data

Part Number	Lumens	CCT	Optic
NPR-4SNDQ30XWW	1156lm	3000K	Spot
NPR-4SNDQ30XWW	1151lm	3000K	Narrow
NPR-4SNDQ30XWW	1137lm	3000K	Flood

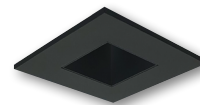
Delivered lumens will vary depending on CCT, optic and finish

PRODUCT IMAGES & DIMENSIONS



NPR-4SNDQ

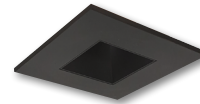
Square Reflector with Square Aperture
Non-Adjustable



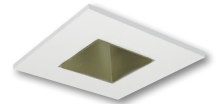
BB
Black Reflector
Black Flange



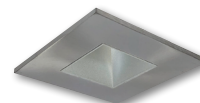
BW
Black Reflector
White Flange



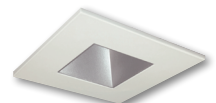
BZ
Bronze Reflector
Bronze Flange



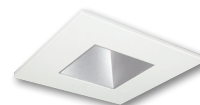
CHMPW
Champagne Haze Reflector
Matte Powder White Flange



HN
Haze Reflector
Natural Metal Flange



HW
Haze Reflector
White Flange



HZMPW
Haze Reflector
Matte Powder White Flange



MPW
Matte Powder White Reflector
Matte Powder White Flange



WW
White Reflector
White Flange

4" Pearl LED Square Retrofit Reflector with Square Aperture

Trim Type	Color Temperature	Finish
NPR-4SNDQ = Square Reflector with Square Aperture	27X = 2700K	BB = Black / Black
	30X = 3000K	BW = Black / White
	35X = 3500K	BZ = Bronze / Bronze
	40X = 4000K	CHMPW = Champagne / Matte Powder White
	CDX = Comfort Dim	HN = Haze / Natural Metal
		HW = Haze / White
	HZMPW = Haze / Matte Powder White	
	MPW = Matte Powder White	
	WW = White / White	

Example: **NPR-4SNDQ27XWW** = 4" Pearl LED Square Retrofit Reflector with Square Aperture, 2700K, White finish

Pearl LED Retrofit Accessories

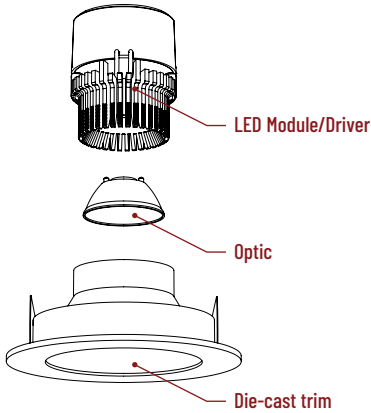
4" Pearl LED Square Retrofit Reflector with Square Aperture

Type
Project
Catalog No.
Notes

FIELD CHANGEABLE OPTICS

Pearl luminaires include spot, narrow flood and flood optics. Optics can be changed in the field by removing LED module from die-cast trim. Replacement optics include an optional frosted lens.

Note: Premium TIR optics are not compatible with Comfort Dim LED modules.



Frosted Filter-Optic

NIO-REFL38FR 60° Optic
NIO-REFL60FR 73° Optic

Replaces optics that are included with each LED module.



Premium TIR Optics

NIO-REFLTIR15 22° Optic
NIO-REFLTIR25 26° Optic

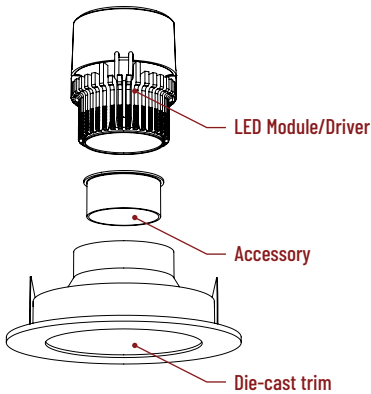
Premium TIR (total internal reflection) optics create optimal spot and narrow flood beam spread.

Not compatible with Comfort Dim (CDX) LED module

ACCESSORIES

Pearl accessories can be added at any point in the design process. Accessories easily install between LED module and die-cast trim.

Luminaire will accommodate (1) hex louver and (1) collar accessory, no accessory holder required.



Translucent Decorative Collar

NIO-AS14(color) 5/8" length
NIO-AS19(color) 3/4" length
NIO-AS26(color) 1" length
Color:
AM (amber), **BLU** (blue), **FR** (frosted), **R** (red)

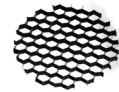
Translucent collars color the aperture with the specified color while producing white general light. Collars are available in different lengths. Use to add interest, create a theme, match a theme or define a space.



Opaque Collar Snoot

NIO-AS14(color) 5/8" length
NIO-AS19(color) 3/4" length
NIO-AS26(color) 1" length
Color:
BLK (black), **MPW** (matte powder white), **WH** (white)

Opaque snoot greatly reduces aperture brightness while preserving light output. (Note: Black snoot will reduce light)



Hex Cell Louver

NIO-HC Black
 Hex cell louver subtly reduces aperture brightness by reducing light output by about 20%.

PHOTOMETRICS

4" Pearl LED Square Retrofit Reflector with Square Aperture

Type

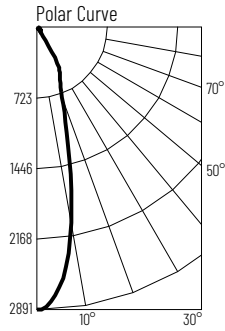
Project

Catalog No.

Notes

Test Information

Test Number: NTR1548
 Part Number: NPR-4SNDQ30XXWW
 Beam Spread: 27° Spot
 Lumens: 1156lm
 Wattage: 11.67W
 Efficacy: 99pw
 CCT / CRI: 3000K / 90 CRI
 Spacing Criteria (0°-180): 0.46
 Spacing Criteria (90°-270): 0.46



Illuminance at a Distance

Distance from Luminaire	FC at Nadir	Beam Diameter
4'	181fc	2'
6'	80.3fc	2'-11"
8'	45.2fc	3'-11"
10'	28.9fc	4'-11"
12'	20.1fc	5'-11"

Zonal Lumen Summary

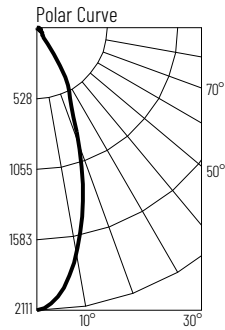
Zone	Lumens	% Luminaire
0-30	873	75.6
0-40	1037	89.7
0-60	1118	96.8
0-90	1153	99.8
90-180	3	0.2
0-180	1156	100

Candela Table

Vertical Angles	Candela
0	2891
5	2675
15	1254
25	560
35	114
45	59

Test Information

Test Number: NTR1549
 Part Number: NPR-4SNDQ30XXWW
 Beam Spread: 37° Narrow Flood
 Lumens: 1151lm
 Wattage: 11.65W
 Efficacy: 99pw
 CCT / CRI: 3000K / 90 CRI
 Spacing Criteria (0°-180): 0.62
 Spacing Criteria (90°-270): 0.62



Illuminance at a Distance

Distance from Luminaire	FC at Nadir	Beam Diameter
4'	132fc	2'-8"
6'	58.6fc	4'
8'	33fc	5'-4"
10'	21.1fc	6'-8"
12'	14.7fc	8'

Zonal Lumen Summary

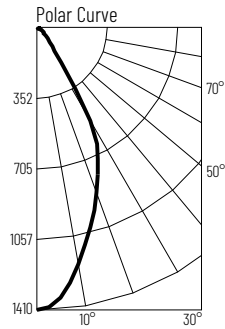
Zone	Lumens	% Luminaire
0-30	863	75
0-40	1023	88.8
0-60	1112	96.6
0-90	1148	99.8
90-180	3	0.2
0-180	1151	100

Candela Table

Vertical Angles	Candela
0	2111
5	1993
15	1338
25	600
35	128
45	58

Test Information

Test Number: NTR1550
 Part Number: NPR-4SNDQ30XXWW
 Beam Spread: 51° Flood
 Lumens: 1137lm
 Wattage: 11.67W
 Efficacy: 97pw
 CCT / CRI: 3000K / 90 CRI
 Spacing Criteria (0°-180): 0.76
 Spacing Criteria (90°-270): 0.76



Illuminance at a Distance

Distance from Luminaire	FC at Nadir	Beam Diameter
4'	88.1fc	3'-10"
6'	39.2fc	5'-10"
8'	22fc	7'-8"
10'	14.1fc	9'-7"
12'	9.8fc	11'-6"

Zonal Lumen Summary

Zone	Lumens	% Luminaire
0-30	774	68.1
0-40	994	87.4
0-60	1095	96.3
0-90	1134	99.8
90-180	3	0.2
0-180	1137	100

Candela Table

Vertical Angles	Candela
0	1410
5	1200
15	1031
25	725
35	212
45	76

Lumen Output Multipliers

Color Temperature: 2700K (0.97), 3000K (1.00), 3500K (1.05), 4000K (1.09)