

# NIO-1SNB

## 1" Iolite NTF Square Bullnose Reflector

Source: 9W or 10W LED  
600lm

Type

Project

Catalog No.

Notes

### PRODUCT DESCRIPTION

1" Iolite NTF reflectors can be specified for use with Iolite new construction housings. Bullnose reflector with a filleted aperture which allows for minimal aperture brightness while still producing the nadir footcandles.

### FEATURES

- 600lm / 9W or 10W
- 2700K, 3000K, 3500K, 4000K, 5000K @ 90+ CRI
- Comfort Dim Technology
- 60° (Flood) optic installed, 40° (Narrow flood) and 20° (Spot) optics included
- 5-Year limited warranty

### SPECIFICATION

**Construction:** Reflectors are constructed of heat dissipating, die-cast aluminum. The aluminum die-cast LED heat sink is threaded to fit the reflector and transfer heat.

**Mounting:** Reflector includes friction blades to mount securely to housing.

**Field Changeable Optics:** Each reflector comes with a 60° (installed), 40° and 20° optics (included).

### ELECTRICAL

**Lumens / Wattage:** 600lm / wattage varies by housing (9W / LE3 or 10W / LE4)

**Color Temperature:** 2700K, 3000K, 3500K, 4000K, 5000K

**CRI:** 90+CRI

**Operating Temp.:** 0°C to 40°C ambient temperature

**Lifetime:** 50,000 hours @ L70

**Comfort Dim:** Comfort Dim color tunes the temperature from a bright 3000K, to a romantic and comfortable 1900K on a gradual, even curve.

**Dimming:** Specified by housing

### COMPATIBLE HOUSINGS

Reflectors are compatible with respective Iolite housings manufactured by Nora Lighting.

CATALOG NO.	DESCRIPTION	LUMENS / WATTAGE
NHIOICD-16LE3	ICAT New Construction, 120V; Triac/ELV	600lm / 9W
NHIOICD-16LE4	ICAT New Construction, 120-277V; Triac/ELV/0-10V	600lm / 10W
NHIOICDCP-16LE3	Chicago Plenum, 120V; Triac/ELV	600lm / 9W
NHIOICDCP-16LE4	Chicago Plenum, 120-277V; Triac/ELV/0-10V	600lm / 10W

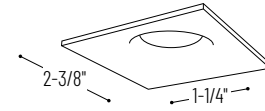
**Accessories:** Reflectors will accommodate (1) hex louver and (1) translucent deco collar or opaque snoot, no accessory holder is required, see accessories page.

### LABELS AND LISTINGS

- cULus Listed for Wet Locations
- ENERGY STAR certified
- [5-Year Limited Warranty](#)
- RoHS Compliant
- Certified to the high efficacy requirements of California Title 24 JA8-2019



### PRODUCT IMAGES & DIMENSIONS



**NIO-1SNB**  
Square Bullnose Reflector  
Non-Adjustable



**BZ**  
Bronze



**MPW**  
Matte Powder White



**NN**  
Natural Metal



**WW**  
White

### 1" Iolite NTF Square Bullnose Reflector - Dedicated New Construction Required

Reflector Type	Color Temp.	Finish
<b>NIO-1SNB</b> = Square Bullnose	<b>27X</b> = 2700K	<b>BZ</b> = Bronze
	<b>30X</b> = 3000K	<b>MPW</b> = Matte Powder White
	<b>35X</b> = 3500K	<b>NN</b> = Natural Metal
	<b>40X</b> = 4000K	<b>WW</b> = White
	<b>50X</b> = 5000K	
	<b>CDX</b> = Comfort Dim (3000K-1900K) <sup>†</sup>	

<sup>†</sup> 1" Comfort Dim uses a different dimming curve than 2" & 4" Comfort Dim

### Compatible Housings

Housing Type
<b>NHIOICD-16LE3</b> = ICAT New Construction / Triac/ELV / 600lm / 9W
<b>NHIOICD-16LE4</b> = ICAT New Const. / Triac/ELV/0-10V / 600lm / 10W
<b>NHIOICDCP-16LE3</b> = Chicago Plenum / Triac/ELV / 600lm / 9W
<b>NHIOICDCP-16LE4</b> = Chicago Plenum / Triac/ELV/0-10V / 600lm / 10W

Example: **NIO-1SNB27XWW** = 1" Iolite NTF Square Bullnose Reflector, 2700K, White finish, 600lm

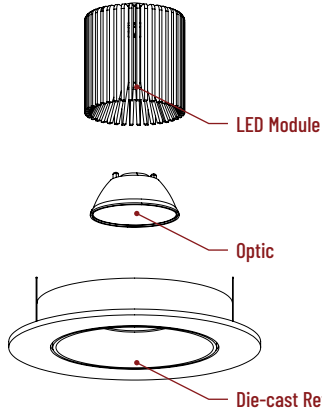
# 1" Iolite Accessories

## 1" Iolite NTF Square Bullnose Reflector

Type	
Project	
Catalog No.	
Notes	

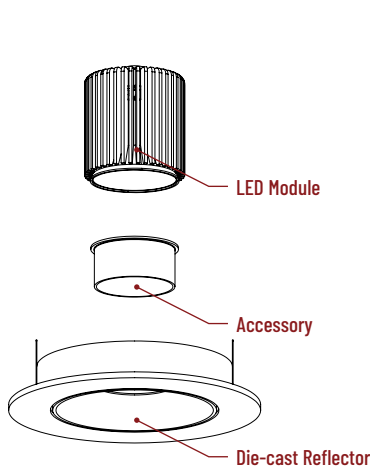
### FIELD CHANGEABLE OPTICS

Iolite reflectors include 20°, 40° and 60° optics. Optics can be changed in the field by removing LED module from die-cast reflector. Replacement optics include an optional frosted lens.



### ACCESSORIES

Iolite accessories can be added at any point in the design process. Accessories easily install between LED module and die-cast reflector. Luminaire will accommodate (1) hex louver and (1) collar accessory, no accessory holder required.



NIO-1AS15(color)	5/8" length
NIO-1AS19(color)	3/4" length
NIO-1AS24(color)	1" length

**Color:**  
**AM** (amber), **BLU** (blue), **FR** (frosted), **R** (red)

Translucent collars color the aperture with the specified color while producing white general light. Collars are available in different lengths. Use to add interest, create a theme, match a theme or define a space.



NIO-1AS15(color)	5/8" length
NIO-1AS19(color)	3/4" length
NIO-1AS24(color)	1" length

**Color:**  
**BLK** (black), **MPW** (matte powder white), **WH** (white)

Opaque snoot greatly reduces aperture brightness while preserving light output. (Note: Black snoot will reduce light)



**NIO-1HC** Black

Hex cell louver subtly reduces aperture brightness by reducing light output by about 20%.

# PHOTOMETRICS

1" Iolite NTF Square Bullnose Reflector  
600 lumens

Type \_\_\_\_\_

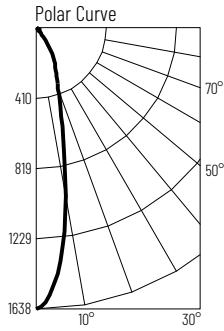
Project \_\_\_\_\_

Catalog No. \_\_\_\_\_

Notes \_\_\_\_\_

## Test Information

Test Number: NTR11209  
Part Number: NIO-1SNB27MPW  
Beam Spread: 24° Spot  
Lumens: 564lm  
Wattage: 9.38W  
Efficacy: 60lpw  
CCT / CRI: 2700K / 90 CRI  
Spacing Criteria (0°-180): 0.42  
Spacing Criteria (90°-270): 0.42



## Illuminance at a Distance

Distance from Luminaire	FC at Nadir	Beam Diameter
4'	102fc	1'-8"
6'	45.5fc	2'-6"
8'	25.6fc	3'-5"
10'	16.4fc	4'-2"
12'	11.4fc	5'-1"

## Zonal Lumen Summary

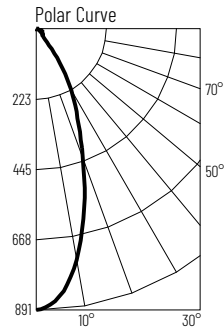
Zone	Lumens	% Luminaire
0-30	420	74.5
0-40	499	88.4
0-60	542	96
0-90	563	99.8
90-180	1	0.2
0-180	565	100

## Candela Table

Vertical Angles	Candela
0	1638
5	1438
15	594
25	275
35	127
45	29

## Test Information

Test Number: NTR11224  
Part Number: NIO-1SNB27MPW  
Beam Spread: 39° Narrow Flood  
Lumens: 545lm  
Wattage: 9.32W  
Efficacy: 58lpw  
CCT / CRI: 2700K / 90 CRI  
Spacing Criteria (0°-180): 0.64  
Spacing Criteria (90°-270): 0.64



## Illuminance at a Distance

Distance from Luminaire	FC at Nadir	Beam Diameter
4'	55.7fc	2'-11"
6'	24.7fc	4'-4"
8'	13.9fc	5'-8"
10'	8.9fc	7'-1"
12'	6.2fc	8'-7"

## Zonal Lumen Summary

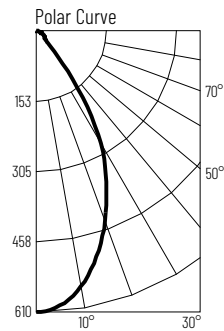
Zone	Lumens	% Luminaire
0-30	387	71
0-40	469	86
0-60	516	94.7
0-90	544	99.8
90-180	1	0.2
0-180	545	100

## Candela Table

Vertical Angles	Candela
0	891
5	852
15	590
25	312
35	132
45	29

## Test Information

Test Number: NTR11240  
Part Number: NIO-1SNB27MPW  
Beam Spread: 57° Flood  
Lumens: 547lm  
Wattage: 9.33W  
Efficacy: 59lpw  
CCT / CRI: 2700K / 90 CRI  
Spacing Criteria (0°-180): 0.86  
Spacing Criteria (90°-270): 0.86



## Illuminance at a Distance

Distance from Luminaire	FC at Nadir	Beam Diameter
4'	38.1fc	4'-5"
6'	16.9fc	6'-6"
8'	9.5fc	8'-8"
10'	6.1fc	10'-11"
12'	4.2fc	13'-1"

## Zonal Lumen Summary

Zone	Lumens	% Luminaire
0-30	362	66.2
0-40	470	85.9
0-60	520	95
0-90	546	99.8
90-180	1	0.2
0-180	547	100

## Candela Table

Vertical Angles	Candela
0	610
5	597
15	508
25	360
35	175
45	33

## Lumen Output Multipliers

Color Temperature: 2700K (1.00), 3000K (1.11), 3500K (1.12), 4000K (1.11), 5000K (1.14)