

NIO-4RPH

4" Iolite Round Fixed Pinhole

Source: 14W to 28W LED
800lm to 2500lm

Type

Project

Catalog No.

Notes

PRODUCT DESCRIPTION

4" Iolite LED downlights require a dedicated Iolite new construction or remodel housing. Fixed Pinhole reflector focuses the beam spread through small opening. Also available in adjustable pinhole (NIO-4RPHA).

FEATURES

- 800lm, 1000lm, 1500lm, 2000lm or 2500lm LED packages
- 2700K, 3000K, 3500K, 4000K, 5000K @ 90+ CRI
- Comfort Dim (warm dimming) also available in 800lm only
- Flood optic, narrow flood and spot optics (included)
- 5-Year limited warranty

SPECIFICATION

Construction: Trims are constructed of heat dissipating, die-cast aluminum. The aluminum die-cast LED heat sink is threaded to fit the trim and transfer heat.

Mounting: Luminaire includes friction blades to mount securely to housing.

OPTICS

800-1000lm: Three field changeable optics (spot, narrow flood and flood) are included with each LED module. Premium 10° TIR narrow spot optic assembly also available ([Click Here](#) for more information). Optional frosted and TIR optics are also available.

1500-2500lm: Three field changeable TIR optics (spot, narrow flood and flood) are included with each LED module.

ELECTRICAL

Lumens / Wattage: 800lm / 14W, 1000lm / 14W, 1500lm / 20W, 2000lm / 24W, 2500lm / 28W

Color Temperature: 2700K, 3000K, 3500K, 4000K, 5000K

Color Rendering Index: 90+CRI

Operating Temperature: Specified by housing

Lifetime: 50,000 hours @ L70

Comfort Dim: Comfort Dim color tunes the temperature from a bright 3100K, to a romantic and comfortable 2000K on a gradual, even curve. Available in 800lm only.

Dimming: Specified by housing

COMPATIBLE HOUSINGS

Luminaires are compatible with respective Iolite housings manufactured by Nora Lighting.

CATALOG NO.	DESCRIPTION	LUMENS / WATTAGE
NHIOICD-48	ICAT New Construction	800-1000lm / 14W
NHIOICDCP-48	Chicago Plenum	800-1000lm / 14W
NHRIOIC-48	ICAT Remodel	800-1000lm / 14W
NHIOICD-415	ICAT New Construction	1500lm / 20W
NHIOICDCP-415	Chicago Plenum	1500lm / 20W
NHIOICD-420	ICAT New Construction	2000lm / 24W
NHIOICDCP-420	Chicago Plenum	2000lm / 24W
NHIOICD-425	ICAT New Construction	2500lm / 28W
NHIOICDCP-425	Chicago Plenum	2500lm / 28W

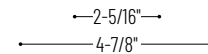
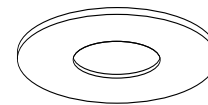
Accessories: Luminaires will accommodate (1) hex louver and (1) translucent deco collar or opaque snoot, no accessory holder is required, see accessories page. Flush mount mud ring is available to give the appearance of a trimless reflector, compatible with new construction housing only.

LABELS AND LISTINGS

- cULus Listed for Wet Locations
- ENERGY STAR certified
- [5-Year Limited Warranty](#)
- RoHS Compliant
- Certified to the high efficacy requirements of California Title 24 JA8-2019



PRODUCT IMAGES & DIMENSIONS



NIO-4RPH
Round Fixed Pinhole
Non-Adjustable



BB
Black Pinhole
Black Flange



BMPW
Black Pinhole
Matte Powder White Flange



HZMPW
Haze Pinhole
Matte Powder White Flange



MPW
Matte Powder White Pinhole
Matte Powder White Flange

4" Iolite Round Fixed Pinhole - Dedicated Housing Required

Reflector Type	Color Temp.	Finish	Lumens / Wattage
NIO-4RPH = Round Fixed Pinhole	50X = 5000K*	BB = Black / Black	(blank) = 800lm / 14W
	CDX = Comfort Dim (3100K-2000K) [†]	BMPW = Black / Matte Powder White	
	27X = 2700K	HZMPW = Haze / Matte Powder White	
	30X = 3000K	MPW = Matte Powder White	
	35X = 3500K		/10 = 1000lm / 14W
	40X = 4000K		/HL = 1500-2500lm (varies by housing)
	50X = 5000K		

* 5000K LED modules in 800lm are while supplies last

[†] Comfort Dim available in 800lm only and 1" Iolite uses a different dimming curve than 2" & 4" Iolite

Compatible Housings

Housing Type
NHIOICD-48 = ICAT New Construction / 800-1000lm / 14W
NHIOICDCP-48 = Chicago Plenum / 800-1000lm / 14W
NHRIOIC-48 = ICAT Remodel / 800-1000lm / 14W
NHIOICD-415 = ICAT New Construction / 1500lm / 20W
NHIOICDCP-415 = Chicago Plenum / 1500lm / 20W
NHIOICD-420 = ICAT New Construction / 2000lm / 24W
NHIOICDCP-420 = Chicago Plenum / 2000lm / 24W
NHIOICD-425 = ICAT New Construction / 2500lm / 28W
NHIOICDCP-425 = Chicago Plenum / 2500lm / 28W

Example: **NIO-4RPH50XBB** = 4" Iolite Round Fixed Pinhole, 5000K, Black finish, 800lm / 14W

4" Iolite Accessories

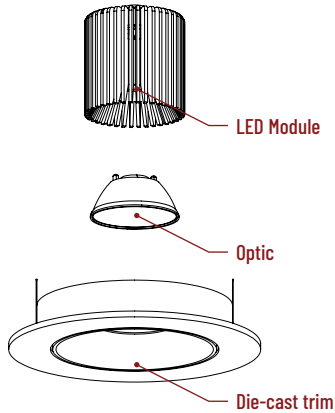
4" Iolite Round Fixed Pinhole

Type
Project
Catalog No.
Notes

FIELD CHANGEABLE OPTICS

Iolite luminaires include spot, narrow flood and flood optics. Optics can be changed in the field by removing LED module from die-cast trim. Optional frosted and TIR optics are also available.

Note: Frosted and Premium TIR optics are not compatible with /HL LED modules.



Frosted Filter-Optic

NIO-REFL38FR
NIO-REFL60FR

60° Optic
73° Optic

Not compatible with /HL LED module.



Premium TIR Optics

NIO-REFLTIR15
NIO-REFLTIR25

22° Optic
26° Optic

Not compatible with /HL or Comfort Dim (CDX) LED modules



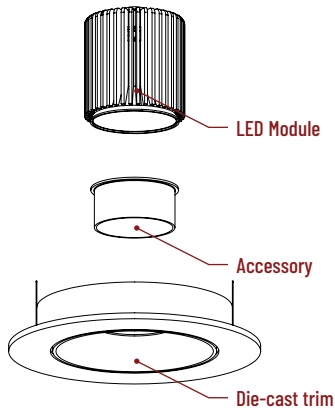
10° TIR Optic Assembly

Specialized narrow spot LED module assembly is also available. Requires LE4 housing. [Click Here](#) for more information.

ACCESSORIES

Iolite accessories can be added at any point in the design process. Accessories easily install between LED module and die-cast trim.

Luminaire will accommodate (1) hex louver and (1) collar accessory, no accessory holder required.



Translucent Decorative Collar

NIO-AS14(color) 5/8" length
NIO-AS19(color) 3/4" length
NIO-AS26(color) 1" length
Color:
AM (amber), **BLU** (blue), **FR** (frosted), **R** (red)

Translucent collars color the aperture with the specified color while producing white general light. Collars are available in different lengths. Use to add interest, create a theme, match a theme or define a space.



Opaque Collar Snoot

NIO-AS14(color) 5/8" length
NIO-AS19(color) 3/4" length
NIO-AS26(color) 1" length
Color:
BLK (black), **MPW** (matte powder white), **WH** (white)

Opaque snoot greatly reduces aperture brightness while preserving light output. (Note: Black snoot will reduce light)



Hex Cell Louver

NIO-HC Black
Hex cell louver subtly reduces aperture brightness by reducing light output by about 20%.

FLUSH MOUNT

4" Iolite trims can be installed flush with the drywall for a flush mount appearance. A flush mount mud ring is installed after the drywall and a professional drywall finisher floats the ceiling to blend in the mud ring.

Flush Mount Mud Ring

NIO-FMMR-4R Round Mud Ring

Mounts reflector flush to ceiling with flange visible. Mud ring attaches to drywall. **Only for use with NHIOICD-48 or NHIOICDCP-48 new construction housings and NIO-4R trims.** Dimensions: 7-7/8" diameter 1/2" thick



PHOTOMETRICS

4" Iolite Round Fixed Pinhole
800 lumens

Type

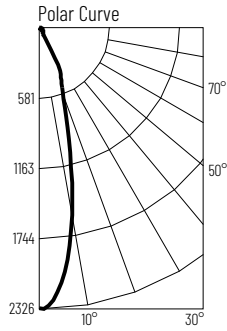
Project

Catalog No.

Notes

Test Information

Test Number: NTR11294
Part Number: NIO-4RPH30XMPW
Beam Spread: 26° Spot
Lumens: 795lm
Wattage: 14.24W
Efficacy: 56lpw
CCT / CRI: 3000K / 90 CRI
Spacing Criteria (0°-180): 0.46
Spacing Criteria (90°-270): 0.46



Illuminance at a Distance

Distance from Luminaire	FC at Nadir	Beam Diameter
4'	145fc	1'-1"
6'	64.5fc	2'-10"
8'	36.3fc	3'-8"
10'	23.2fc	4'-8"
12'	16.1fc	5'-7"

Zonal Lumen Summary

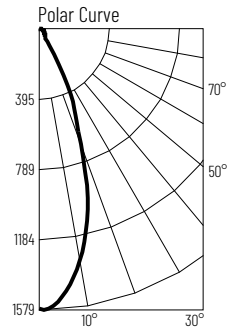
Zone	Lumens	% Luminaire
0-30	625	78.6
0-40	670	84.3
0-60	738	92.8
0-90	793	99.7
90-180	3	0.3
0-180	795	100

Candela Table

Vertical Angles	Candela
0	2321
5	2099
15	939
25	418
35	65
45	48

Test Information

Test Number: NTR11296
Part Number: NIO-4RPH30XMPW
Beam Spread: 37° Narrow Flood
Lumens: 792lm
Wattage: 14.34W
Efficacy: 55lpw
CCT / CRI: 3000K / 90 CRI
Spacing Criteria (0°-180): 0.64
Spacing Criteria (90°-270): 0.64



Illuminance at a Distance

Distance from Luminaire	FC at Nadir	Beam Diameter
4'	98.1fc	2'-8"
6'	43.6fc	4'-1"
8'	24.5fc	5'-5"
10'	15.7fc	6'-10"
12'	10.9fc	8'-2"

Zonal Lumen Summary

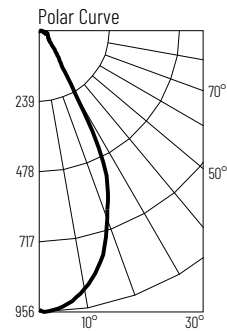
Zone	Lumens	% Luminaire
0-30	615	77.7
0-40	661	83.4
0-60	731	92.3
0-90	790	99.7
90-180	3	0.3
0-180	792	100

Candela Table

Vertical Angles	Candela
0	1570
5	1505
15	1056
25	452
35	63
45	48

Test Information

Test Number: NTR11298
Part Number: NIO-4RPH30XMPW
Beam Spread: 52° Flood
Lumens: 766lm
Wattage: 14.35W
Efficacy: 53lpw
CCT / CRI: 3000K / 90 CRI
Spacing Criteria (0°-180): 0.84
Spacing Criteria (90°-270): 0.86



Illuminance at a Distance

Distance from Luminaire	FC at Nadir	Beam Diameter
4'	59.4fc	3'-11"
6'	26.4fc	5'-11"
8'	14.8fc	7'-10"
10'	9.5fc	9'-10"
12'	6.6c	11'-8"

Zonal Lumen Summary

Zone	Lumens	% Luminaire
0-30	540	70.4
0-40	622	81.1
0-60	700	91.3
0-90	764	99.7
90-180	3	0.3
0-180	766	100

Candela Table

Vertical Angles	Candela
0	950
5	936
15	811
25	535
35	122
45	53

Lumen Output Multipliers

Color Temperature: 2700K (0.97), 3000K (1.00), 3500K (1.04), 4000K (1.16), 5000K (1.17)

PHOTOMETRICS

4" Iolite Round Fixed Pinhole
1000 lumens

Type

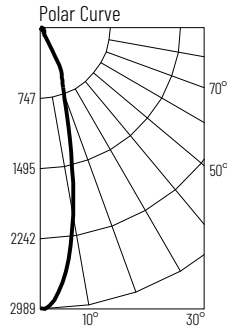
Project

Catalog No.

Notes

Test Information

Test Number: NTR11295
Part Number: NIO-4RPH30XMPW/10
Beam Spread: 26° Spot
Lumens: 1027lm
Wattage: 13.35W
Efficacy: 77lpw
CCT / CRI: 3000K / 90 CRI
Spacing Criteria (0°-180): 0.46
Spacing Criteria (90°-270): 0.46



Illuminance at a Distance

Distance from Luminaire	FC at Nadir	Beam Diameter
4'	186fc	1'-11"
6'	82.6fc	2'-10"
8'	46.5fc	3'-10"
10'	29.7fc	4'-8"
12'	20.7fc	5'-7"

Zonal Lumen Summary

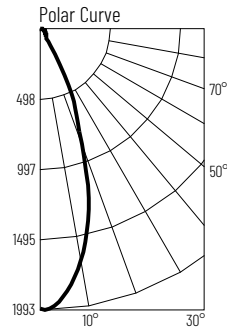
Zone	Lumens	% Luminaire
0-30	805	78.3
0-40	864	84.1
0-60	952	92.7
0-90	1024	99.6
90-180	4	0.4
0-180	1027	100

Candela Table

Vertical Angles	Candela
0	2975
5	2684
15	1221
25	544
35	84
45	62

Test Information

Test Number: NTR11297
Part Number: NIO-4RPH30XMPW/10
Beam Spread: 37° Narrow Flood
Lumens: 1002lm
Wattage: 13.36W
Efficacy: 75lpw
CCT / CRI: 3000K / 90 CRI
Spacing Criteria (0°-180): 0.64
Spacing Criteria (90°-270): 0.64



Illuminance at a Distance

Distance from Luminaire	FC at Nadir	Beam Diameter
4'	124fc	2'-8"
6'	55fc	4'-1"
8'	30.9fc	5'-5"
10'	19.8fc	6'-10"
12'	13.8fc	8'-1"

Zonal Lumen Summary

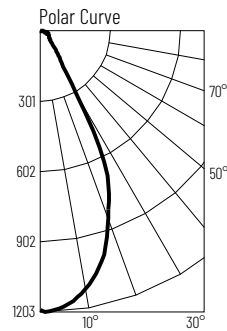
Zone	Lumens	% Luminaire
0-30	777	77.6
0-40	835	83.3
0-60	924	92.2
0-90	999	99.7
90-180	3	0.3
0-180	1002	100

Candela Table

Vertical Angles	Candela
0	1980
5	1888
15	1327
25	572
35	81
45	62

Test Information

Test Number: NTR11299
Part Number: NIO-4RPH30XMPW/10
Beam Spread: 52° Flood
Lumens: 973lm
Wattage: 13.32W
Efficacy: 73lpw
CCT / CRI: 3000K / 90 CRI
Spacing Criteria (0°-180): 0.86
Spacing Criteria (90°-270): 0.86



Illuminance at a Distance

Distance from Luminaire	FC at Nadir	Beam Diameter
4'	74.5fc	3'-11"
6'	33.1fc	5'-11"
8'	18.6fc	7'-10"
10'	11.9fc	9'-10"
12'	8.3fc	11'-10"

Zonal Lumen Summary

Zone	Lumens	% Luminaire
0-30	682	70.1
0-40	787	80.9
0-60	888	91.3
0-90	970	99.7
90-180	3	0.3
0-180	973	100

Candela Table

Vertical Angles	Candela
0	1193
5	1175
15	1022
25	679
35	156
45	70

Lumen Output Multipliers

Color Temperature: 2700K (0.98), 3000K (1.00), 3500K (1.09), 4000K (1.19), 5000K (1.16)