

NI0B-1RNB

1" Iolite BWF Round Bullnose Reflector

Source: 9W or 10W LED
600lm

Type

Project

Catalog No.

Notes

PRODUCT DESCRIPTION

1" Iolite BWF reflectors can be specified for use with Iolite new construction or remodel housings. Bullnose reflector with a filleted aperture which allows for minimal aperture brightness while still producing the nadir footcandles.

FEATURES

- 600lm / 9W or 10W
- 2700K, 3000K, 3500K, 4000K, 5000K @ 90+ CRI
- Comfort Dim Technology
- 60° (Flood) optic installed, 40° (Narrow flood) and 20° (Spot) optics included
- 5-Year limited warranty

SPECIFICATION

Construction: Reflectors are constructed of heat dissipating, die-cast aluminum. The aluminum die-cast LED heat sink is threaded to fit the reflector and transfer heat.

Mounting: Reflector includes friction blades to mount securely to housing.

Field Changeable Optics: Each reflector comes with a 60° (installed), 40° and 20° optics (included).

ELECTRICAL

Lumens / Wattage: 600lm / wattage varies by housing (9W / LE3 or 10W / LE4)

Color Temperature: 2700K, 3000K, 3500K, 4000K, 5000K

CRI: 90+CRI

Operating Temp.: 0°C to 40°C ambient temperature

Lifetime: 50,000 hours @ L70

Comfort Dim: Comfort Dim color tunes the temperature from a bright 3000K, to a romantic and comfortable 1900K on a gradual, even curve.

Dimming: Specified by housing

COMPATIBLE HOUSINGS

Reflectors are compatible with respective Iolite housings manufactured by Nora Lighting.

CATALOG NO.	DESCRIPTION	LUMENS / WATTAGE
NHIOICD-16LE3	ICAT New Construction, 120V; Triac/ELV	600lm / 9W
NHIOICD-16LE4	ICAT New Construction, 120-277V; Triac/ELV/0-10V	600lm / 10W
NHIOICDCP-16LE3	Chicago Plenum, 120V; Triac/ELV	600lm / 9W
NHIOICDCP-16LE4	Chicago Plenum, 120-277V; Triac/ELV/0-10V	600lm / 10W
NHRI0IC-16LE4	ICAir-Tight Remodel, 120-277V; Triac/ELV/0-10V	600lm / 10W

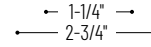
Accessories: Reflectors will accommodate (1) hex louver and (1) translucent deco collar or opaque snoot, no accessory holder is required, see accessories page. Flush mount mud ring is available to give the appearance of a trimless reflector, compatible with new construction housing only.

LABELS AND LISTINGS

- cULus Listed for Wet Locations
- ENERGY STAR certified
- [5-Year Limited Warranty](#)
- RoHS Compliant
- Certified to the high efficacy requirements of California Title 24 JA8-2019



PRODUCT IMAGES & DIMENSIONS



NI0B-1RNB
Round Bullnose Reflector
Non-Adjustable



BB
Black



BZ
Bronze



MPW
Matte Powder White



NN
Natural Metal



WW
White

1" Iolite BWF Round Bullnose Reflector - Dedicated Housing Required

Reflector Type	Color Temp.	Finish
NI0B-1RNB = Round Bullnose	27X = 2700K	BB = Black
	30X = 3000K	BZ = Bronze
	35X = 3500K	MPW = Matte Powder White
	40X = 4000K	NN = Natural Metal
	50X = 5000K	WW = White
	CDX = Comfort Dim (3000K-1900K) [†]	

[†] 1" Comfort Dim uses a different dimming curve than 2" & 4" Comfort Dim

Compatible Housings

Housing Type
NHIOICD-16LE3 = ICAT New Construction / Triac/ELV / 600lm / 9W
NHIOICD-16LE4 = ICAT New Const. / Triac/ELV/0-10V / 600lm / 10W
NHIOICDCP-16LE3 = Chicago Plenum / Triac/ELV / 600lm / 9W
NHIOICDCP-16LE4 = Chicago Plenum / Triac/ELV/0-10V / 600lm / 10W
NHRI0IC-16LE4 = ICAT Remodel / Triac/ELV/0-10V / 600lm / 10W

Example: **NI0B-1RNB27XWW** = 1" Iolite Round Bullnose, 2700K, White finish, 800lm

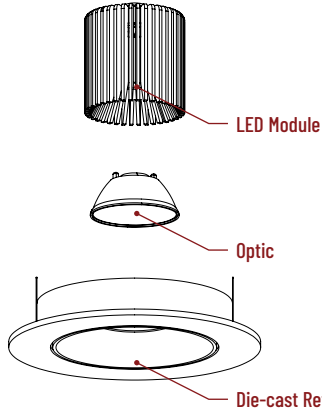
1" Iolite Accessories

1" Iolite BWF Round Bullnose Reflector

Type
Project
Catalog No.
Notes

FIELD CHANGEABLE OPTICS

Iolite reflectors include 20°, 40° and 60° optics. Optics can be changed in the field by removing LED module from die-cast reflector. Replacement optics include an optional frosted lens.



ACCESSORIES

Iolite accessories can be added at any point in the design process. Accessories easily install between LED module and die-cast reflector. Luminaire will accommodate (1) hex louver and (1) collar accessory, no accessory holder required.

Translucent Decorative Collar

NIO-1AS15(color)	5/8" length
NIO-1AS19(color)	3/4" length
NIO-1AS24(color)	1" length

Color:
AM (amber), BLU (blue), FR (frosted), R (red)

Translucent collars color the aperture with the specified color while producing white general light. Collars are available in different lengths. Use to add interest, create a theme, match a theme or define a space.

Opaque Collar Snoot

NIO-1AS15(color)	5/8" length
NIO-1AS19(color)	3/4" length
NIO-1AS24(color)	1" length

Color:
BLK (black), MPW (matte powder white), WH (white)

Opaque snoot greatly reduces aperture brightness while preserving light output. (Note: Black snoot will reduce light)

Hex Cell Louver

NIO-IHC Black

Hex cell louver subtly reduces aperture brightness by reducing light output by about 20%.

FLUSH MOUNT

1" Iolite BWF reflectors can be installed flush with the drywall for a flush mount appearance. A flush mount mud ring is installed after the drywall and a professional drywall finisher floats the ceiling to blend in the mud ring.



Flush Mount Mud Ring

NIO-FMMR-1R Round Mud Ring

Mounts trim flush to ceiling with reflector flange visible. **Mud ring attaches to drywall. Requires and only for use with NHIOICD-16 or NHIOICDCP-16 new construction housings and NIOB-1R reflectors.**

Dimensions: 7-7/8" diameter 1/2" thick

PHOTOMETRICS

1" Iolite BWF Round Bullnose Reflector
600 lumens

Type

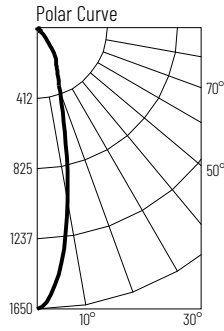
Project

Catalog No.

Notes

Test Information

Test Number: NTR11201
Part Number: NIOB-IRNB27MPW
Beam Spread: 24° Spot
Lumens: 587lm
Wattage: 9.37W
Efficacy: 63lpw
CCT / CRI: 2700K / 90 CRI
Spacing Criteria (0°-180): 0.42
Spacing Criteria (90°-270): 0.42



Illuminance at a Distance

Distance from Luminaire	FC at Nadir	Beam Diameter
4'	103fc	1'-10"
6'	45.8fc	2'-7"
8'	25.8fc	3'-6"
10'	16.5fc	4'-5"
12'	11.5fc	5'-4"

Zonal Lumen Summary

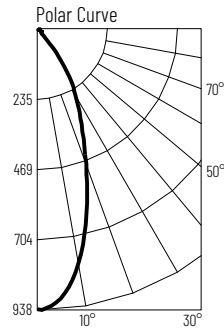
Zone	Lumens	% Luminaire
0-30	433	73.8
0-40	532	90.6
0-60	572	97.5
0-90	586	99.8
90-180	1	0.2
0-180	587	100

Candela Table

Vertical Angles	Candela
0	1650
5	1454
15	633
25	280
35	163
45	28

Test Information

Test Number: NTR11217
Part Number: NIOB-IRNB27MPW
Beam Spread: 40° Narrow Flood
Lumens: 590lm
Wattage: 9.46W
Efficacy: 62lpw
CCT / CRI: 2700K / 90 CRI
Spacing Criteria (0°-180): 0.66
Spacing Criteria (90°-270): 0.66



Illuminance at a Distance

Distance from Luminaire	FC at Nadir	Beam Diameter
4'	58.5fc	3'
6'	26fc	4'-6"
8'	14.6fc	6'
10'	9.4fc	7'-6"
12'	6.5fc	8'-11"

Zonal Lumen Summary

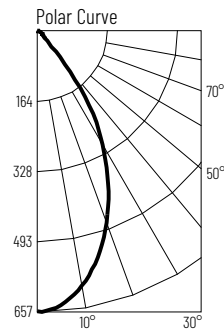
Zone	Lumens	% Luminaire
0-30	421	71.3
0-40	527	89.3
0-60	571	96.8
0-90	589	99.8
90-180	1	0.2
0-180	590	100

Candela Table

Vertical Angles	Candela
0	935
5	899
15	639
25	351
35	174
45	26

Test Information

Test Number: NTR11232
Part Number: NIOB-IRNB27MPW
Beam Spread: 57° Flood
Lumens: 588lm
Wattage: 9.43W
Efficacy: 62lpw
CCT / CRI: 2700K / 90 CRI
Spacing Criteria (0°-180): 0.86
Spacing Criteria (90°-270): 0.88



Illuminance at a Distance

Distance from Luminaire	FC at Nadir	Beam Diameter
4'	41fc	4'-5"
6'	18.2fc	6'-7"
8'	10.2fc	8'-10"
10'	6.6fc	11'
12'	4.6fc	13'-2"

Zonal Lumen Summary

Zone	Lumens	% Luminaire
0-30	392	66.6
0-40	521	88.6
0-60	569	96.7
0-90	586	99.6
90-180	2	0.4
0-180	588	100

Candela Table

Vertical Angles	Candela
0	656
5	642
15	546
25	393
35	213
45	32

Lumen Output Multipliers

Color Temperature: 2700K (1.00), 3000K (1.11), 3500K (1.12), 4000K (1.11), 5000K (1.14)