

# NIOB-1RSL

## 1" Iolite BWF Round Slot Aperture

Source: 9W or 10W LED  
600lm

Type

Project

Catalog No.

Notes

### PRODUCT DESCRIPTION

1" Iolite BWF reflectors can be specified for use with Iolite new construction or remodel housings. Adjustable slot aperture focus the beam spread through 1-1/8" x 1-3/8" opening.

### FEATURES

- 600lm / 9W or 10W
- 2700K, 3000K, 3500K, 4000K, 5000K @ 90+ CRI
- Comfort Dim Technology
- 60° (Flood) optic installed, 40° (Narrow flood) and 20° (Spot) optics included
- 5-Year limited warranty

### SPECIFICATION

**Construction:** Reflectors are constructed of heat dissipating, die-cast aluminum. The aluminum die-cast LED heat sink is threaded to fit the reflector and transfer heat.

**Mounting:** Reflector includes friction blades to mount securely to housing.

**Field Changeable Optics:** Each reflector comes with a 60° (installed), 40° and 20° optics (included).

### ELECTRICAL

**Lumens / Wattage:** 600lm / wattage varies by housing (9W / LE3 or 10W / LE4)

**Color Temperature:** 2700K, 3000K, 3500K, 4000K, 5000K

**CRI:** 90+CRI

**Operating Temp.:** 0°C to 40°C ambient temperature

**Lifetime:** 50,000 hours @ L70

**Comfort Dim:** Comfort Dim color tunes the temperature from a bright 3000K, to a romantic and comfortable 1900K on a gradual, even curve.

**Dimming:** Specified by housing

### COMPATIBLE HOUSINGS

Reflectors are compatible with respective Iolite housings manufactured by Nora Lighting.

CATALOG NO.	DESCRIPTION	LUMENS / WATTAGE
NHIOICD-16LE3	ICAT New Construction, 120V; Triac/ELV	600lm / 9W
NHIOICD-16LE4	ICAT New Construction, 120-277V; Triac/ELV/0-10V	600lm / 10W
NHIOICDCP-16LE3	Chicago Plenum, 120V; Triac/ELV	600lm / 9W
NHIOICDCP-16LE4	Chicago Plenum, 120-277V; Triac/ELV/0-10V	600lm / 10W
NHRIOIC-16LE4	ICAT Remodel, 120-277V; Triac/ELV/0-10V	600lm / 10W

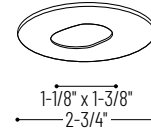
**Accessories:** Reflectors will accommodate (1) hex louver and (1) translucent deco collar or opaque snoot, no accessory holder is required, see accessories page.

### LABELS AND LISTINGS

- cULus Listed for Damp Locations
- ENERGY STAR certified
- [5-Year Limited Warranty](#)
- RoHS Compliant
- Certified to the high efficacy requirements of California Title 24 JA8-2019



### PRODUCT IMAGES & DIMENSIONS



#### NIOB-1RSL

Round Adjustable Slot Aperture

Adjustability:

New Construction: 30° / Remodel: 15°



#### BB

Black Slot Aperture  
Black Flange



#### BMPW

Black Slot Aperture  
Matte Powder White Flange



#### HZMPW

Haze Slot Aperture  
Matte Powder White Flange



#### MPW

Matte Powder White Slot Aperture  
Matte Powder White Flange

### 1" Iolite BWF Round Slot Aperture - Dedicated Housing Required

Reflector Type	Color Temp.	Finish
NIOB-1RSL = Round Slot Aperture	<b>27X</b> = 2700K	<b>BB</b> = Black / Black
	<b>30X</b> = 3000K	<b>BMPW</b> = Black / Matte Powder White
	<b>35X</b> = 3500K	<b>HZMPW</b> = Haze / Matte Powder White
	<b>40X</b> = 4000K	<b>MPW</b> = Matte Powder White
	<b>50X</b> = 5000K	
	<b>CDX</b> = Comfort Dim (3000K-1900K) <sup>†</sup>	

<sup>†</sup> 1" Comfort Dim uses a different dimming curve than 2" & 4" Comfort Dim

### Compatible Housings

Housing Type
<b>NHIOICD-16LE3</b> = ICAT New Construction / Triac/ELV / 600lm / 9W
<b>NHIOICD-16LE4</b> = ICAT New Const. / Triac/ELV/0-10V / 600lm / 10W
<b>NHIOICDCP-16LE3</b> = Chicago Plenum / Triac/ELV / 600lm / 9W
<b>NHIOICDCP-16LE4</b> = Chicago Plenum / Triac/ELV/0-10V / 600lm / 10W
<b>NHRIOIC-16LE4</b> = ICAT Remodel / Triac/ELV/0-10V / 600lm / 10W

Example: **NIOB-1RSL27XMPW** = 1" Iolite BWF Round Slot Aperture, 2700K, Matte Powder White finish, 600lm

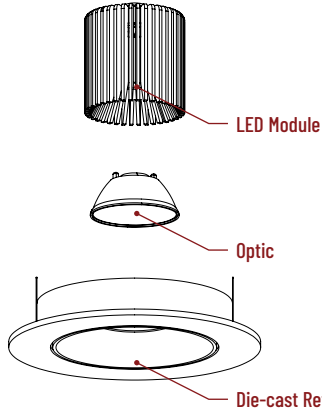
# 1" Iolite Accessories

## 1" Iolite BWF Round Slot Aperture

Type
Project
Catalog No.
Notes

### FIELD CHANGEABLE OPTICS

Iolite reflectors include 20°, 40° and 60° optics. Optics can be changed in the field by removing LED module from die-cast reflector. Replacement optics include an optional frosted lens.



### ACCESSORIES

Iolite accessories can be added at any point in the design process. Accessories easily install between LED module and die-cast reflector. Luminaire will accommodate (1) hex louver and (1) collar accessory, no accessory holder required.

Translucent Decorative Collar

NIO-1AS15(color)	5/8" length
NIO-1AS19(color)	3/4" length
NIO-1AS24(color)	1" length

**Color:**  
AM (amber), BLU (blue), FR (frosted), R (red)

Translucent collars color the aperture with the specified color while producing white general light. Collars are available in different lengths. Use to add interest, create a theme, match a theme or define a space.

Opaque Collar Snoot

NIO-1AS15(color)	5/8" length
NIO-1AS19(color)	3/4" length
NIO-1AS24(color)	1" length

**Color:**  
BLK (black), MPW (matte powder white), WH (white)

Opaque snoot greatly reduces aperture brightness while preserving light output. (Note: Black snoot will reduce light)

Hex Cell Louver

NIO-1HC Black

Hex cell louver subtly reduces aperture brightness by reducing light output by about 20%.

### FLUSH MOUNT

1" Iolite BWF reflectors can be installed flush with the drywall for a flush mount appearance. A flush mount mud ring is installed after the drywall and a professional drywall finisher floats the ceiling to blend in the mud ring.



Flush Mount Mud Ring

NIO-FMMR-1R Round Mud Ring

Mounts trim flush to ceiling with reflector flange visible. **Mud ring attaches to drywall. Requires and only for use with NHIOICD-16 or NHIOICDCP-16 new construction housings and NIOB-1R reflectors.**

Dimensions: 7-7/8" diameter 1/2" thick