

NI0B-1SNB

1" Iolite BWF Square Bullnose Reflector

Source: 9W or 10W LED
600lm

Type

Project

Catalog No.

Notes

PRODUCT DESCRIPTION

1" Iolite BWF reflectors can be specified for use with Iolite new construction or remodel housings. Bullnose reflector with a filleted aperture which allows for minimal aperture brightness while still producing the nadir footcandles.

FEATURES

- 600lm / 9W or 10W
- 2700K, 3000K, 3500K, 4000K, 5000K @ 90+ CRI
- Comfort Dim Technology
- 60° (Flood) optic installed, 40° (Narrow flood) and 20° (Spot) optics included
- 5-Year limited warranty

SPECIFICATION

Construction: Reflectors are constructed of heat dissipating, die-cast aluminum. The aluminum die-cast LED heat sink is threaded to fit the reflector and transfer heat.

Mounting: Reflector includes friction blades to mount securely to housing.

Field Changeable Optics: Each reflector comes with a 60° (installed), 40° and 20° optics (included).

ELECTRICAL

Lumens / Wattage: 600lm / wattage varies by housing (9W / LE3 or 10W / LE4)

Color Temperature: 2700K, 3000K, 3500K, 4000K, 5000K

CRI: 90+CRI

Operating Temp.: 0°C to 40°C ambient temperature

Lifetime: 50,000 hours @ L70

Comfort Dim: Comfort Dim color tunes the temperature from a bright 3000K, to a romantic and comfortable 1900K on a gradual, even curve.

Dimming: Specified by housing

COMPATIBLE HOUSINGS

Reflectors are compatible with respective Iolite housings manufactured by Nora Lighting.

| CATALOG NO. | DESCRIPTION | LUMENS / WATTAGE |
|-----------------|--|------------------|
| NHIOICD-16LE3 | ICAT New Construction, 120V; Triac/ELV | 600lm / 9W |
| NHIOICD-16LE4 | ICAT New Construction, 120-277V; Triac/ELV/0-10V | 600lm / 10W |
| NHIOICDCP-16LE3 | Chicago Plenum, 120V; Triac/ELV | 600lm / 9W |
| NHIOICDCP-16LE4 | Chicago Plenum, 120-277V; Triac/ELV/0-10V | 600lm / 10W |
| NHRIOIC-16LE4 | ICAT Remodel, 120-277V; Triac/ELV/0-10V | 600lm / 10W |

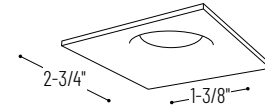
Accessories: Reflectors will accommodate (1) hex louver and (1) translucent deco collar or opaque snoot, no accessory holder is required, see accessories page.

LABELS AND LISTINGS

- cULus Listed for Wet Locations
- ENERGY STAR certified
- [5-Year Limited Warranty](#)
- RoHS Compliant
- Certified to the high efficacy requirements of California Title 24 JA8-2019



PRODUCT IMAGES & DIMENSIONS



NI0B-1SNB
Square Bullnose Reflector
Non-Adjustable



BB
Black



BZ
Bronze



MPW
Matte Powder White



NN
Natural Metal



WW
White

1" Iolite BWF Square Bullnose Reflector - Dedicated Housing Required

| Reflector Type | Color Temp. | Finish |
|------------------------------------|---|---------------------------------|
| NI0B-1SNB = Square Bullnose | 27X = 2700K | BB = Black |
| | 30X = 3000K | BZ = Bronze |
| | 35X = 3500K | MPW = Matte Powder White |
| | 40X = 4000K | NN = Natural Metal |
| | 50X = 5000K | WW = White |
| | CDX = Comfort Dim (3000K-1900K) [†] | |

[†] 1" Comfort Dim uses a different dimming curve than 2" & 4" Comfort Dim

Compatible Housings

| Housing Type |
|---|
| NHIOICD-16LE3 = ICAT New Construction / Triac/ELV / 600lm / 9W |
| NHIOICD-16LE4 = ICAT New Const. / Triac/ELV/0-10V / 600lm / 10W |
| NHIOICDCP-16LE3 = Chicago Plenum / Triac/ELV / 600lm / 9W |
| NHIOICDCP-16LE4 = Chicago Plenum / Triac/ELV/0-10V / 600lm / 10W |
| NHRIOIC-16LE4 = ICAT Remodel / Triac/ELV/0-10V / 600lm / 10W |

Example: **NI0B-1SNB27XWW** = 1" Iolite BWF Square Bullnose Reflector, 2700K, White finish, 600lm

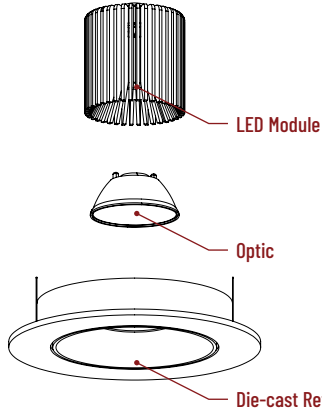
1" Iolite Accessories

1" Iolite BWF Square Bullnose Reflector

| | |
|-------------|--|
| Type | |
| Project | |
| Catalog No. | |
| Notes | |

FIELD CHANGEABLE OPTICS

Iolite reflectors include 20°, 40° and 60° optics. Optics can be changed in the field by removing LED module from die-cast reflector. Replacement optics include an optional frosted lens.

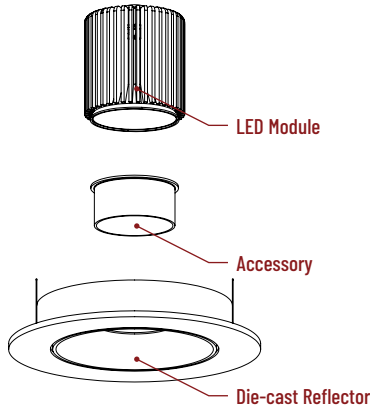


Frosted Filter-Optic

| | |
|---------------|-----------|
| NIO-IREFL20FR | 20° Optic |
| NIO-IREFL40FR | 40° Optic |
| NIO-IREFL60FR | 60° Optic |

ACCESSORIES

Iolite accessories can be added at any point in the design process. Accessories easily install between LED module and die-cast reflector. Luminaire will accommodate (1) hex louver and (1) collar accessory, no accessory holder required.



Translucent Decorative Collar

| | |
|---|-------------|
| NIO-1AS15(color) | 5/8" length |
| NIO-1AS19(color) | 3/4" length |
| NIO-1AS24(color) | 1" length |
| Color: | |
| AM (amber), BLU (blue), FR (frosted), R (red) | |

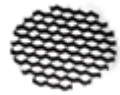
Translucent collars color the aperture with the specified color while producing white general light. Collars are available in different lengths. Use to add interest, create a theme, match a theme or define a space.



Opaque Collar Snoot

| | |
|---|-------------|
| NIO-1AS15(color) | 5/8" length |
| NIO-1AS19(color) | 3/4" length |
| NIO-1AS24(color) | 1" length |
| Color: | |
| BLK (black), MPW (matte powder white), WH (white) | |

Opaque snoot greatly reduces aperture brightness while preserving light output. (Note: Black snoot will reduce light)



Hex Cell Louver

| | |
|---------|-------|
| NIO-1HC | Black |
|---------|-------|

Hex cell louver subtly reduces aperture brightness by reducing light output by about 20%.

FLUSH MOUNT

1" Iolite BWF reflectors can be installed flush with the drywall for a flush mount appearance. A flush mount mud ring is installed after the drywall and a professional drywall finisher floats the ceiling to blend in the mud ring.

Flush Mount Mud Ring



| | |
|-------------|-----------------|
| NIO-FMMR-1S | Square Mud Ring |
|-------------|-----------------|

Mounts trim flush to ceiling with reflector flange visible. **Mud ring attaches to drywall. Requires and only for use with NHIOICD-16 or NHIOICDCP-16 new construction housings and NIOB-1S reflectors.**
Dimensions: 7-7/8" diameter 1/2" thick

PHOTOMETRICS

1" Iolite BWF Square Bullnose Reflector
600 lumens

Type

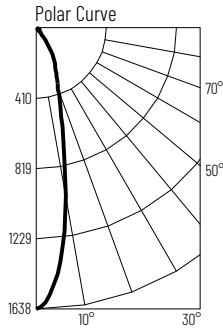
Project

Catalog No.

Notes

Test Information

Test Number: NTR11209
Part Number: NIOB-ISNB27MPW
Beam Spread: 24° Spot
Lumens: 564lm
Wattage: 9.38W
Efficacy: 60lpw
CCT / CRI: 2700K / 90 CRI
Spacing Criteria (0°-180): 0.42
Spacing Criteria (90°-270): 0.42



Illuminance at a Distance

| Distance from Luminaire | FC at Nadir | Beam Diameter |
|-------------------------|-------------|---------------|
| 4' | 102fc | 1'-8" |
| 6' | 45.5fc | 2'-6" |
| 8' | 25.6fc | 3'-5" |
| 10' | 16.4fc | 4'-2" |
| 12' | 11.4fc | 5'-1" |

Zonal Lumen Summary

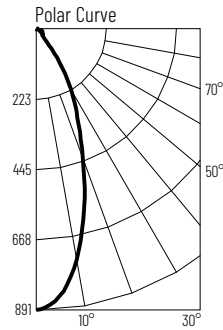
| Zone | Lumens | % Luminaire |
|--------|--------|-------------|
| 0-30 | 420 | 74.5 |
| 0-40 | 499 | 88.4 |
| 0-60 | 542 | 96 |
| 0-90 | 563 | 99.8 |
| 90-180 | 1 | 0.2 |
| 0-180 | 565 | 100 |

Candela Table

| Vertical Angles | Candela |
|-----------------|---------|
| 0 | 1638 |
| 5 | 1438 |
| 15 | 594 |
| 25 | 275 |
| 35 | 127 |
| 45 | 29 |

Test Information

Test Number: NTR11224
Part Number: NIOB-ISNB27MPW
Beam Spread: 39° Narrow Flood
Lumens: 545lm
Wattage: 9.32W
Efficacy: 58lpw
CCT / CRI: 2700K / 90 CRI
Spacing Criteria (0°-180): 0.64
Spacing Criteria (90°-270): 0.64



Illuminance at a Distance

| Distance from Luminaire | FC at Nadir | Beam Diameter |
|-------------------------|-------------|---------------|
| 4' | 55.7fc | 2'-11" |
| 6' | 24.7fc | 4'-4" |
| 8' | 13.9fc | 5'-8" |
| 10' | 8.9fc | 7'-1" |
| 12' | 6.2fc | 8'-7" |

Zonal Lumen Summary

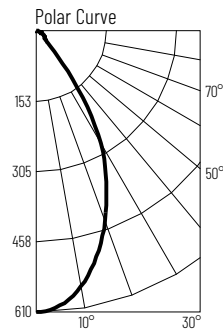
| Zone | Lumens | % Luminaire |
|--------|--------|-------------|
| 0-30 | 387 | 71 |
| 0-40 | 469 | 86 |
| 0-60 | 516 | 94.7 |
| 0-90 | 544 | 99.8 |
| 90-180 | 1 | 0.2 |
| 0-180 | 545 | 100 |

Candela Table

| Vertical Angles | Candela |
|-----------------|---------|
| 0 | 891 |
| 5 | 852 |
| 15 | 590 |
| 25 | 312 |
| 35 | 132 |
| 45 | 29 |

Test Information

Test Number: NTR11240
Part Number: NIOB-ISNB27MPW
Beam Spread: 57° Flood
Lumens: 547lm
Wattage: 9.33W
Efficacy: 59lpw
CCT / CRI: 2700K / 90 CRI
Spacing Criteria (0°-180): 0.86
Spacing Criteria (90°-270): 0.86



Illuminance at a Distance

| Distance from Luminaire | FC at Nadir | Beam Diameter |
|-------------------------|-------------|---------------|
| 4' | 38.1fc | 4'-5" |
| 6' | 16.9fc | 6'-6" |
| 8' | 9.5fc | 8'-8" |
| 10' | 6.1fc | 10'-11" |
| 12' | 4.2fc | 13'-1" |

Zonal Lumen Summary

| Zone | Lumens | % Luminaire |
|--------|--------|-------------|
| 0-30 | 362 | 66.2 |
| 0-40 | 470 | 85.9 |
| 0-60 | 520 | 95 |
| 0-90 | 546 | 99.8 |
| 90-180 | 1 | 0.2 |
| 0-180 | 547 | 100 |

Candela Table

| Vertical Angles | Candela |
|-----------------|---------|
| 0 | 610 |
| 5 | 597 |
| 15 | 508 |
| 25 | 360 |
| 35 | 175 |
| 45 | 33 |

Lumen Output Multipliers

Color Temperature: 2700K (1.00), 3000K (1.11), 3500K (1.12), 4000K (1.11), 5000K (1.14)