

# NI0B-2RSL

## 2" Iolite Round Adjustable Slot Aperture

Source: 14W to 28W LED  
800lm to 2500lm

Type

Project

Catalog No.

Notes

### PRODUCT DESCRIPTION

2" Iolite downlights can be specified for use with Iolite new construction or remodel housings. Adjustable slot aperture focus the beam spread through 1-3/4" x 1-3/8" opening.

### FEATURES

- 800lm, 1000lm, 1500lm, 2000lm or 2500lm LED packages
- 2700K, 3000K, 3500K, 4000K, 5000K @ 90+ CRI
- Comfort Dim (warm dimming) also available in 800lm only
- 60° (Flood) optic installed, 38° (Narrow flood) and 25° (Spot) optics included
- 5-Year limited warranty

### SPECIFICATION

**Construction:** Trims are constructed of heat dissipating, die-cast aluminum. The aluminum die-cast LED heat sink is threaded to fit the reflector and transfer heat.

**Mounting:** Luminaire includes friction blades to mount securely to housing.

### OPTICS

**800-1000lm:** Three field changeable optics (spot, narrow flood and flood) are included with each LED module. Premium 10° TIR narrow spot optic assembly also available ([Click Here](#) for more information). Optional frosted and TIR optics are also available.

**1500-2500lm:** Three field changeable TIR optics (spot, narrow flood and flood) are included with each LED module.

### ELECTRICAL

**Lumens / Wattage:** 800lm / 14W, 1000lm / 14W, 1500lm / 20W, 2000lm / 24W, 2500lm / 28W

**Color Temperature:** 2700K, 3000K, 3500K, 4000K, 5000K

**Color Rendering Index:** 90+CRI

**Operating Temperature:** 0°C to 40 C ambient temperature

**Lifetime:** 50,000 hours @ L70

**Comfort Dim:** Comfort Dim color tunes the temperature from a bright 3100K, to a romantic and comfortable 2000K on a gradual, even curve. Available in 800lm only.

**Dimming:** Specified by housing

### COMPATIBLE HOUSINGS

Luminaires are compatible with respective Iolite housings manufactured by Nora Lighting.

CATALOG NO.	DESCRIPTION	LUMENS / WATTAGE
<a href="#">NHIOICD-28</a>	ICAT New Construction	800-1000lm / 14W
<a href="#">NHIOICDCP-28</a>	Chicago Plenum	800-1000lm / 14W
<a href="#">NHRIOIC-28</a>	ICAT Remodel	800-1000lm / 14W
<a href="#">NHIOICD-215</a>	ICAT New Construction	1500lm / 20W
<a href="#">NHIOICDCP-215</a>	Chicago Plenum	1500lm / 20W
<a href="#">NHIOICD-220</a>	ICAT New Construction	2000lm / 24W
<a href="#">NHIOICDCP-220</a>	Chicago Plenum	2000lm / 24W
<a href="#">NHIOICD-225</a>	ICAT New Construction	2500lm / 28W
<a href="#">NHIOICDCP-225</a>	Chicago Plenum	2500lm / 28W

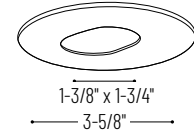
**Accessories:** Luminaires will accommodate (1) hex louver and (1) translucent deco collar or opaque snoot, no accessory holder is required, see accessories page. Flush mount mud ring is available to give the appearance of a trimless reflector, compatible with new construction housing only.

### LABELS AND LISTINGS

- cULus Listed for Damp Locations
- ENERGY STAR certified
- [5-Year Limited Warranty](#)
- RoHS Compliant
- Certified to the high efficacy requirements of California Title 24 JA8-2019



### PRODUCT IMAGES & DIMENSIONS



#### NI0B-2RSL

Round Adjustable Slot Aperture

Adjustability:

New Construction: 30° / Remodel: 15°



#### BB

Black Slot Aperture  
Black Flange



#### BMPW

Black Slot Aperture  
Matte Powder White Flange



#### HZMPW

Haze Slot Aperture  
Matte Powder White Flange



#### MPW

Matte Powder White Aperture  
Matte Powder White Flange

### 2" Iolite Round Adjustable Slot Aperture - Dedicated Housing Required

Reflector Type	Color Temp.	Finish	Lumens / Wattage
NI0B-2RSL = Round Adjustable Slot Aperture	<b>50X</b> = 5000K*	<b>BB</b> = Black / Black	(blank) = 800lm / 14W
	<b>CDX</b> = Comfort Dim†	<b>BMPW</b> = Black / Matte Powder White	
	<b>27X</b> = 2700K	<b>HZMPW</b> = Haze / Matte Powder White	<b>/10</b> = 1000lm / 14W
	<b>30X</b> = 3000K	<b>MPW</b> = Matte Powder White	<b>/HL</b> = 1500-2500lm (varies by housing)
	<b>35X</b> = 3500K		
	<b>40X</b> = 4000K		
	<b>50X</b> = 5000K		

\* 5000K LED modules in 800lm are while supplies last

† Comfort Dim available in 800lm only and 1" Iolite uses a different dimming curve than 2" & 4" Iolite

### Compatible Housings

Housing Type
<b>NHIOICD-28</b> = ICAT New Construction / 800-1000lm / 14W
<b>NHIOICDCP-28</b> = Chicago Plenum / 800-1000lm / 14W
<b>NHRIOIC-28</b> = ICAT Remodel / 800-1000lm / 14W
<b>NHIOICD-215</b> = ICAT New Construction / 1500lm / 20W
<b>NHIOICDCP-215</b> = Chicago Plenum / 1500lm / 20W
<b>NHIOICD-220</b> = ICAT New Construction / 2000lm / 24W
<b>NHIOICDCP-220</b> = Chicago Plenum / 2000lm / 24W
<b>NHIOICD-225</b> = ICAT New Construction / 2500lm / 28W
<b>NHIOICDCP-225</b> = Chicago Plenum / 2500lm / 28W

Example: NI0B-2RSL50XBB = 2" Iolite Round Adjustable Slot Aperture, 5000K, Black finish, 800lm / 14W

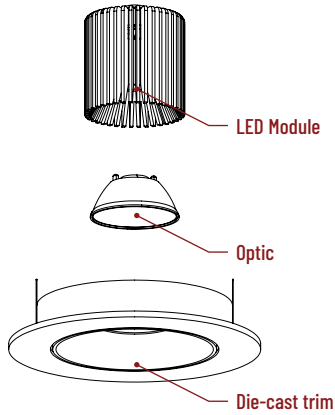
# 2" Iolite Accessories

## 2" Iolite Round Adjustable Slot Aperture

Type
Project
Catalog No.
Notes

### FIELD CHANGEABLE OPTICS

Iolite reflectors include spot, narrow flood and flood optics. Optics can be changed in the field by removing LED module from die-cast reflector. Replacement optics include an optional frosted lens. **Note: Frosted filter-optics and Premium TIR optics are not compatible with /HL LED modules.**



Frosted Filter-Optic

NIO-REFL38FR  
NIO-REFL60FR

60° Optic  
73° Optic

Not compatible with /HL LED module.



Premium TIR Optics

NIO-REFLTIR15  
NIO-REFLTIR25

22° Optic  
26° Optic

Not compatible with /HL or Comfort Dim (CDX) LED modules

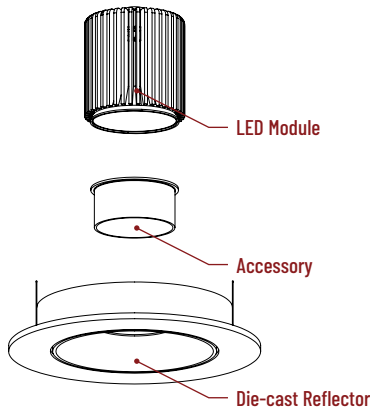


10° TIR Optic Assembly

Specialized narrow spot LED module assembly is also available. Requires LE4 housing. [Click Here](#) for more information.

### ACCESSORIES

Iolite accessories can be added at any point in the design process. Accessories easily install between LED module and die-cast reflector. Luminaire will accommodate (1) hex lower and (1) collar accessory, no accessory holder required.



Translucent Decorative Collar

NIO-AS14(color) 5/8" length  
NIO-AS19(color) 3/4" length  
NIO-AS26(color) 1" length  
**Color:**  
AM (amber), BLU (blue), FR (frosted), R (red)

Translucent collars color the aperture with the specified color while producing white general light. Collars are available in different lengths. Use to add interest, create a theme, match a theme or define a space.



Opaque Collar Snoot

NIO-AS14(color) 5/8" length  
NIO-AS19(color) 3/4" length  
NIO-AS26(color) 1" length  
**Color:**  
BLK (black), MPW (matte powder white), WH (white)

Opaque snoot greatly reduces aperture brightness while preserving light output. (Note: Black snoot will reduce light)



Hex Cell Louver

NIO-HC Black  
Hex cell louver subtly reduces aperture brightness by reducing light output by about 20%.

### FLUSH MOUNT

2" Iolite reflectors can be installed flush with the drywall for a flush mount appearance. A flush mount mud ring is installed after the drywall and a professional drywall finisher floats the ceiling to blend in the mud ring.

#### Flush Mount Mud Ring



NIO-FMMR-2R Round Mud Ring

Mounts trim flush to ceiling with reflector flange visible. **Mud ring attaches to drywall. Requires and only for use with NHIOICD-28 or NHIOICDCP-28 new construction housings and NIOB-2R reflectors.**  
Dimensions: 7-7/8" diameter 1/2" thick