

NI0B-2SC

2" Iolite Square Adjustable Cone Reflector with 10° Optic

Source: 12W
800lm

Type
Project
Catalog No.
Notes

PRODUCT DESCRIPTION

2" Iolite trims can be specified for use in new construction or remodel applications. Die-cast adjustable cone reflectors optimize visual cut-off and adjustable to aim the light source in desired direction.

FEATURES

- Delivering up to 8263 center beam candlepower (CBCP)
- 2700K, 3000K, 3500K, 4000K @ 90+ CRI
- 10° TIR optic delivers luminous intensity of higher lumen downlights
- 5-Year limited warranty

SPECIFICATION

Construction: Trims are constructed of heat dissipating, die-cast aluminum. The aluminum die-cast LED heat sink is threaded to fit the trim and transfer heat.

Mounting: Luminaire includes friction blades to mount securely to housing.

OPTIC

Each luminaire includes 10° TIR optic (Note: cannot be changed in the field)
Luminaire is also available with field changeable optics, [Click Here](#) for more information.

ELECTRICAL

Lumens / Wattage: 800lm / 12W
Color Temperature: 2700K, 3000K, 3500K, 4000K
Color Rendering Index: 90+ CRI
Operating Temperature: Specified by housing
Lifetime: 50,000 hours @ L70
Dimming: Specified by housing

COMPATIBLE HOUSINGS

Luminaires are compatible with respective Iolite housings manufactured by Nora Lighting.

CATALOG NO.	DESCRIPTION
NH0ICD-28LE4	ICAT New Construction, 120-277V; Triac / ELV / 0-10V
NH0ICD-28LUPEQ	ICAT New Construction, 120/277V; Lutron EcoSystem
NH0ICDCP-28LE4	Chicago Plenum, 120-277V; Triac / ELV / 0-10V
NH0ICDCP-28LUPEQ	Chicago Plenum, 120/277V; Lutron EcoSystem
NHR0IC-28LE4	ICAT Remodel, 120-277V; Triac / ELV / 0-10V

Accessories: Luminaires can accommodate (1) hex louver and (1) translucent deco collar or opaque snoot, no accessory holder is required, see accessories page. Flush mount mud ring is available to give the appearance of a trimless, compatible with new construction housings only.

LABELS AND LISTINGS

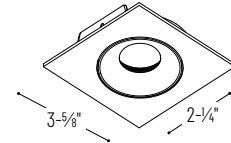
- cULus Listed for Damp Locations
- ENERGY STAR certified
- [5-Year Limited Warranty](#)
- RoHS Compliant
- Certified to the high efficacy requirements of California Title 24 JA8-2019



Performance Data			
Part Number	Lumens	CCT	CBCP
NI0B-2SC400WW	838lm	4000K	8263 cd

Delivered lumens will vary depending on CCT and finish

PRODUCT IMAGES AND DIMENSIONS



NI0B-2SC
Square Cone Regressed
Adjustability:
New Construction: 15° / Remodel: 10°



BB
Black Reflector
Black Flange



BW
Black Reflector
White Flange



BZ
Bronze Reflector
Bronze Flange



CMPW
Specular Clear Reflector
Matte Powder White Flange



HW
Haze Reflector
White Flange



HZMPW
Haze Reflector
Matte Powder White Flange



MPW
Matte Powder White Reflector
Matte Powder White Flange



NN
Natural Metal Reflector
Natural Metal Flange



WW
White Reflector
White Flange

2" Iolite Square Adjustable Cone Reflector with 10° Optic - Dedicated Housing Required

Type	Color Temperature	Finish
NI0B-2SC = Square Adjustable Cone	270 = 2700K	BB = Black / Black
	300 = 3000K	BW = Black / White
	350 = 3500K	BZ = Bronze / Bronze
	400 = 4000K	CMPW = Specular Clear / Matte Powder White
		HW = Haze / White
		HZMPW = Haze / Matte Powder White
		MPW = Matte Powder White
		NN = Natural Metal / Natural Metal
		WW = White / White

Compatible Housings

Housing Type
NH0ICD-28LE4 = ICAT New Construction; Triac / ELV / 0-10V
NH0ICD-28LUPEQ = ICAT New Construction; Lutron EcoSystem
NH0ICDCP-28LE4 = Chicago Plenum; Triac / ELV / 0-10V
NH0ICDCP-28LUPEQ = Chicago Plenum; Lutron EcoSystem
NHR0IC-28LE4 = ICAT Remodel; Triac / ELV / 0-10V

Example: **NI0B-2SC400WW** = 2" Iolite Square Adjustable Cone Reflector with 10° Optic, 4000K, White finish

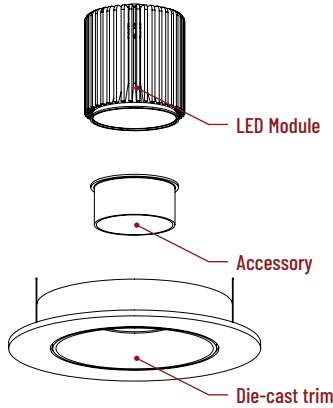
2" Iolite Accessories

2" Iolite Square Adjustable Cone Reflector

Type
Project
Catalog No.
Notes

ACCESSORIES

Iolite accessories can be added at any point in the design process. Accessories easily install between LED module and die-cast trim. Luminaire will accommodate (1) hex louver and (1) collar accessory, no accessory holder required.



Translucent Decorative Collar

NIO-AS14(color) 5/8" length
NIO-AS19(color) 3/4" length
NIO-AS26(color) 1" length
Color:
AM (amber), **BLU** (blue), **FR** (frosted), **R** (red)

Translucent collars color the aperture with the specified color while producing white general light. Collars are available in different lengths. Use to add interest, create a theme, match a theme or define a space.



Opaque Collar Snoot

NIO-AS14(color) 5/8" length
NIO-AS19(color) 3/4" length
NIO-AS26(color) 1" length
Color:
BLK (black), **MPW** (matte powder white), **WH** (white)

Opaque snoot greatly reduces aperture brightness while preserving light output. (Note: Black snoot will reduce light)



Hex Cell Louver

NIO-HC Black
 Hex cell louver subtly reduces aperture brightness by reducing light output by about 20%.

FLUSH MOUNT

2" Iolite trims can be installed flush with the drywall for a flush mount appearance. A flush mount mud ring is installed after the drywall and a professional drywall finisher floats the ceiling to blend in the mud ring.

Flush Mount Mud Ring



NIO-FMMR-2S Square Mud Ring

Mounts trim flush to ceiling with flange visible.
Mud ring attaches to drywall. Only for use with NH10ICD-28 or NH10ICDCP-28 new construction housings and N10B-2S trims.
 Dimensions: 7-7/8" diameter 1/2" thick

PHOTOMETRICS

2" Iolite Square Adjustable Cone Reflector with 10° Optic

Type _____

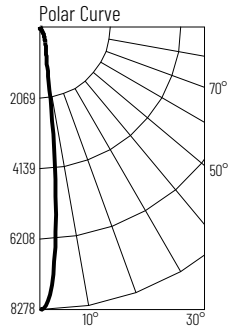
Project _____

Catalog No. _____

Notes _____

Test Information

Test Number: NTR1903R1
 Part Number: NI0B-2SC400WW
 Beam Spread: 12° Spot
 Lumens: 838lm
 Wattage: 12.4W
 Efficacy: 68lpw
 CCT / CRI: 4000K / 90 CRI
 Spacing Criteria (0°-180°): 0.22
 Spacing Criteria (90°-270°): 0.22



Illuminance at a Distance

Distance from Luminaire	FC at Nadir	Beam Diameter
8'	129fc	1'-10"
10'	82.6fc	2'-2"
12'	57.4fc	2'-7"
14'	42.2fc	3'-1"
16'	32.3fc	3'-6"

Zonal Lumen Summary

Zone	Lumens	% Luminaire
0-30	723	86.3
0-40	784	93.5
0-60	819	97.7
0-90	838	100
90-180	0	0
0-180	838	100

Candela Table

Vertical Angles	Candela
0	8263
5	5435
15	723
25	723
35	83
45	24

Lumen Output Multipliers

Color Temperature: 2700K (0.9), 3000K (0.96), 3500K (0.96), 4000K (1.00)