

NIO-4SND5Q

4" Iolite Square Reflector with Square Aperture

Source: 14W to 28W LED
800lm to 2500lm

Type

Project

Catalog No.

Notes

PRODUCT DESCRIPTION

4" Iolite LED downlights require a dedicated Iolite new construction or remodel housing. Deep regressed cone reflectors optimize visual cut-off.

FEATURES

- 800lm, 1000lm, 1500lm, 2000lm or 2500lm LED packages
- 2700K, 3000K, 3500K, 4000K, 5000K @ 90+ CRI
- Comfort Dim (warm dimming) also available in 800lm only
- Flood optic, narrow flood and spot optics (included)
- 5-Year limited warranty

SPECIFICATION

Construction: Trims are constructed of heat dissipating, die-cast aluminum. The aluminum die-cast LED heat sink is threaded to fit the trim and transfer heat.

Mounting: Luminaire includes friction blades to mount securely to housing.

OPTICS

800-1000lm: Three field changeable optics (spot, narrow flood and flood) are included with each LED module. Premium 10° TIR narrow spot optic assembly also available ([Click Here](#) for more information). Optional frosted and TIR optics are also available.

1500-2500lm: Three field changeable TIR optics (spot, narrow flood and flood) are included with each LED module.

ELECTRICAL

Lumens / Wattage: 800lm / 14W, 1000lm / 14W, 1500lm / 20W, 2000lm / 24W, 2500lm / 28W

Color Temperature: 2700K, 3000K, 3500K, 4000K, 5000K

Color Rendering Index: 90+CRI

Operating Temperature: Specified by housing

Lifetime: 50,000 hours @ L70

Comfort Dim: Comfort Dim color tunes the temperature from a bright 3100K, to a romantic and comfortable 2000K on a gradual, even curve. Available in 800lm only.

Dimming: Specified by housing

COMPATIBLE HOUSINGS

Luminaires are compatible with respective Iolite housings manufactured by Nora Lighting.

CATALOG NO.	DESCRIPTION	LUMENS / WATTAGE
NHIOICD-48	ICAT New Construction	800-1000lm / 14W
NHIOICDCP-48	Chicago Plenum	800-1000lm / 14W
NHRIOIC-48	ICAT Remodel	800-1000lm / 14W
NHIOICD-415	ICAT New Construction	1500lm / 20W
NHIOICDCP-415	Chicago Plenum	1500lm / 20W
NHIOICD-420	ICAT New Construction	2000lm / 24W
NHIOICDCP-420	Chicago Plenum	2000lm / 24W
NHIOICD-425	ICAT New Construction	2500lm / 28W
NHIOICDCP-425	Chicago Plenum	2500lm / 28W

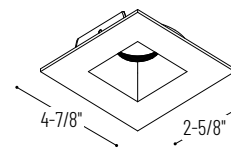
Accessories: Luminaires can accommodate (1) hex louver and (1) translucent deco collar or opaque snoot, no accessory holder is required, see accessories page. Flush mount mud ring is available to give the appearance of a trimless, compatible with new construction housing only.

LABELS AND LISTINGS

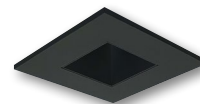
- cULus Listed for Wet Locations
- ENERGY STAR certified
- [5-Year Limited Warranty](#)
- RoHS Compliant
- Certified to the high efficacy requirements of California Title 24 JA8-2019



PRODUCT IMAGES & DIMENSIONS



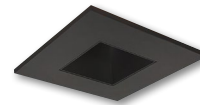
NIO-4SND5Q
Square Reflector with Square Aperture
Non-Adjustable



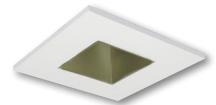
BB
Black Reflector
Black Flange



BW
Black Reflector
White Flange



BZ
Bronze Reflector
Bronze Flange



CHMPW
Champagne Haze Reflector
Matte Powder White Flange



HN
Haze Reflector
Natural Metal Flange



HW
Haze Reflector
White Flange



HZMPW
Haze Reflector
Matte Powder White Flange



MPW
Matte Powder White Reflector
Matte Powder White Flange



WW
White Reflector
White Flange

4" Iolite Square Reflector with Square Aperture - Dedicated Housing Required

Reflector Type	Color Temp.	Finish	Lumens / Wattage
NIO-4SND5Q = Square Reflector with Square Aperture	50X = 5000K*	BB = Black / Black	/0 = 1000lm / 14W /HL = 1500-2500lm (varies by housing)
	CDX = Comfort Dim [†]	BW = Black / White	
	27X = 2700K	BZ = Bronze / Bronze	
	30X = 3000K	CHMPW = Champagne / Matte Powder White	
	35X = 3500K	HN = Haze / Natural Metal	
	40X = 4000K	HW = Haze / White	
	50X = 5000K	HZMPW = Haze / Matte Powder White	
		MPW = Matte Powder White	
		WW = White / White	

* 5000K LED modules in 800lm are while supplies last

[†] Comfort Dim available in 800lm only and 1" Iolite uses a different dimming curve than 2" & 4" Iolite

Compatible Housings

Housing Type
NHIOICD-48 = ICAT New Construction / 800-1000lm / 14W
NHIOICDCP-48 = Chicago Plenum / 800-1000lm / 14W
NHRIOIC-48 = ICAT Remodel / 800-1000lm / 14W
NHIOICD-415 = ICAT New Construction / 1500lm / 20W
NHIOICDCP-415 = Chicago Plenum / 1500lm / 20W
NHIOICD-420 = ICAT New Construction / 2000lm / 24W
NHIOICDCP-420 = Chicago Plenum / 2000lm / 24W
NHIOICD-425 = ICAT New Construction / 2500lm / 28W
NHIOICDCP-425 = Chicago Plenum / 2500lm / 28W

Example: **NIO-4SND5Q27XWW** = 4" Iolite Square Reflector with Square Aperture, 2700K, White finish, 800lm / 14W

4" Iolite Accessories

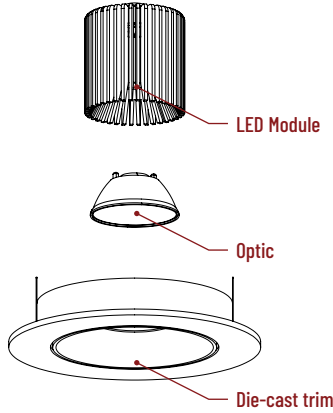
4" Iolite Square Reflector with Square Aperture

Type
Project
Catalog No.
Notes

FIELD CHANGEABLE OPTICS

Iolite luminaires include spot, narrow flood and flood optics. Optics can be changed in the field by removing LED module from die-cast trim. Optional frosted and TIR optics are also available.

Note: Frosted and Premium TIR optics are not compatible with /HL LED modules.



Frosted Filter-Optic

NIO-REFL38FR 60° Optic
NIO-REFL60FR 73° Optic
 Not compatible with /HL LED module.

Premium TIR Optics

NIO-REFLTIR15 22° Optic
NIO-REFLTIR25 26° Optic
 Not compatible with /HL or Comfort Dim (CDX) LED modules

10° TIR Optic Assembly

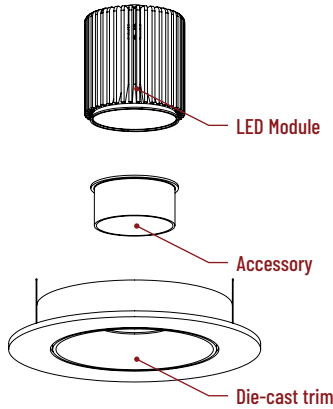
Specialized narrow spot LED module assembly is also available. Requires LE4 housing. [Click Here](#) for more information.



ACCESSORIES

Iolite accessories can be added at any point in the design process. Accessories easily install between LED module and die-cast trim.

Luminaire will accommodate (1) hex louver and (1) collar accessory, no accessory holder required.



Translucent Decorative Collar

NIO-AS14(color) 5/8" length
NIO-AS19(color) 3/4" length
NIO-AS26(color) 1" length
Color: AM (amber), BLU (blue), FR (frosted), R (red)
 Translucent collars color the aperture with the specified color while producing white general light. Collars are available in different lengths. Use to add interest, create a theme, match a theme or define a space.

Opaque Collar Snoot

NIO-AS14(color) 5/8" length
NIO-AS19(color) 3/4" length
NIO-AS26(color) 1" length
Color: BLK (black), MPW (matte powder white), WH (white)
 Opaque snoot greatly reduces aperture brightness while preserving light output. (Note: Black snoot will reduce light)

Hex Cell Louver

NIO-HC Black
 Hex cell louver subtly reduces aperture brightness by reducing light output by about 20%.

FLUSH MOUNT

4" Iolite trims can be installed flush with the drywall for a flush mount appearance. A flush mount mud ring is installed after the drywall and a professional drywall finisher floats the ceiling to blend in the mud ring.

Flush Mount Mud Ring

NIO-FMMR-4S Square Mud Ring
 Mounts trim flush to ceiling with flange visible. Mud ring attaches to drywall. **Only for use with NH10ICD-48 or NH10ICDCP-48 new construction housings and NIO-4S reflectors.**
 Dimensions: 7-7/8" diameter 1/2" thick



PHOTOMETRICS

4" Iolite Square Reflector with Square Aperture
800 lumens

Type

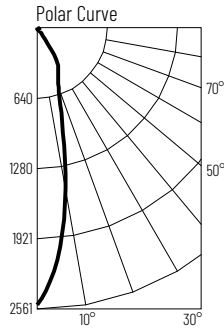
Project

Catalog No.

Notes

Test Information

Test Number: NTR11370
Part Number: NIO-4SNDSQ27XHW
Beam Spread: 27° Spot
Lumens: 931lm
Wattage: 13.86W
Efficacy: 67lpw
CCT / CRI: 2700K / 90 CRI
Spacing Criteria (0°-180): 0.42
Spacing Criteria (90°-270): 0.4



Illuminance at a Distance

Distance from Luminaire	FC at Nadir	Beam Diameter
4'	158fc	1'-11"
6'	70.1fc	2'-11"
8'	39.5fc	3'-11"
10'	25.3fc	4'-10"
12'	17.5fc	5'-10"

Zonal Lumen Summary

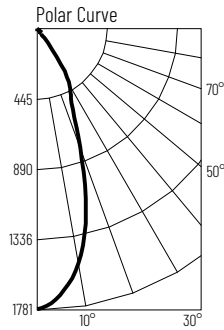
Zone	Lumens	% Luminaire
0-30	742	79.7
0-40	878	94.4
0-60	920	98.8
0-90	926	99.5
90-180	5	0.5
0-180	931	100

Candela Table

Vertical Angles	Candela
0	2525
5	2206
15	956
25	454
35	59
45	31

Test Information

Test Number: NTR11371
Part Number: NIO-4SNDSQ27XHW
Beam Spread: 38° Narrow Flood
Lumens: 933lm
Wattage: 13.85W
Efficacy: 67lpw
CCT / CRI: 2700K / 90 CRI
Spacing Criteria (0°-180): 0.64
Spacing Criteria (90°-270): 0.6



Illuminance at a Distance

Distance from Luminaire	FC at Nadir	Beam Diameter
4'	111fc	2'-10"
6'	49.3fc	4'-1"
8'	27.8fc	5'-6"
10'	17.8fc	6'-11"
12'	12.3fc	8'-4"

Zonal Lumen Summary

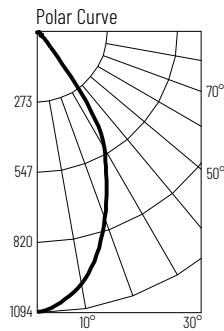
Zone	Lumens	% Luminaire
0-30	745	79.9
0-40	882	94.5
0-60	922	98.8
0-90	928	99.5
90-180	4	0.5
0-180	933	100

Candela Table

Vertical Angles	Candela
0	1776
5	1708
15	1236
25	526
35	97
45	32

Test Information

Test Number: NTR11372
Part Number: NIO-4SNDSQ27XHW
Beam Spread: 56° Flood
Lumens: 888lm
Wattage: 13.85W
Efficacy: 64lpw
CCT / CRI: 2700K / 90 CRI
Spacing Criteria (0°-180): 0.84
Spacing Criteria (90°-270): 0.84



Illuminance at a Distance

Distance from Luminaire	FC at Nadir	Beam Diameter
4'	68.2fc	4'-2"
6'	30.3fc	6'-5"
8'	17fc	8'-6"
10'	10.9fc	10'-7"
12'	7.6fc	12'-8"

Zonal Lumen Summary

Zone	Lumens	% Luminaire
0-30	641	72.2
0-40	824	92.8
0-60	877	98.7
0-90	884	99.5
90-180	4	0.5
0-180	888	100

Candela Table

Vertical Angles	Candela
0	1090
5	1057
15	896
25	623
35	185
45	43

Lumen Output Multipliers

Color Temperature: 2700K (1.00), 3000K (1.03), 3500K (1.07), 4000K (1.2), 5000K (1.21)

PHOTOMETRICS

4" Iolite Square Reflector with Square Aperture
1000 lumens

Type

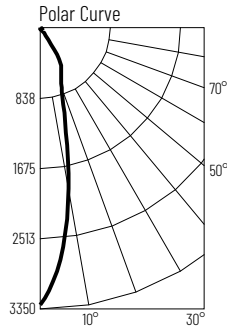
Project

Catalog No.

Notes

Test Information

Test Number: NTR11261
Part Number: N10-4SND SQ27XHW/10
Beam Spread: 25° Spot
Lumens: 1181lm
Wattage: 14.2W
Efficacy: 83lpw
CCT / CRI: 2700K / 90 CRI
Spacing Criteria (0°-180): 0.5
Spacing Criteria (90°-270): 0.12



Illuminance at a Distance

Distance from Luminaire	FC at Nadir	Beam Diameter
4'	182fc	1'-11"
6'	80.7fc	2'-11"
8'	45.4fc	3'-11"
10'	29.1fc	4'-11"
12'	20.2fc	5'-10"

Zonal Lumen Summary

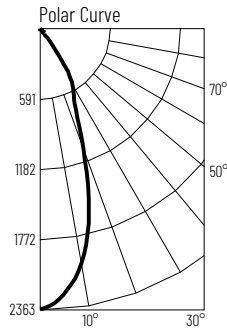
Zone	Lumens	% Luminaire
0-30	943	79.8
0-40	1101	93.3
0-60	1166	98.7
0-90	1173	99.3
90-180	8	0.7
0-180	1181	100

Candela Table

Vertical Angles	Candela
0	2906
5	3065
15	1407
25	628
35	97
45	43

Test Information

Test Number: NTR11262
Part Number: N10-4SND SQ27XHW/10
Beam Spread: 37° Narrow Flood
Lumens: 1184lm
Wattage: 14.33W
Efficacy: 83lpw
CCT / CRI: 2700K / 90 CRI
Spacing Criteria (0°-180): 0.64
Spacing Criteria (90°-270): 0.12



Illuminance at a Distance

Distance from Luminaire	FC at Nadir	Beam Diameter
4'	143fc	2'-8"
6'	63.5fc	4'-1"
8'	35.7fc	5'-5"
10'	22.9fc	6'-10"
12'	15.9fc	8'-2"

Zonal Lumen Summary

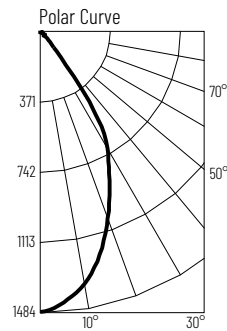
Zone	Lumens	% Luminaire
0-30	951	80.3
0-40	1113	94
0-60	1168	98.7
0-90	1176	99.3
90-180	8	0.7
0-180	1184	100

Candela Table

Vertical Angles	Candela
0	2288
5	2247
15	1524
25	681
35	101
45	40

Test Information

Test Number: NTR113263
Part Number: N10-4SND SQ27XHW/10
Beam Spread: 55° Flood
Lumens: 1182lm
Wattage: 14.45W
Efficacy: 82lpw
CCT / CRI: 2700K / 90 CRI
Spacing Criteria (0°-180): 0.82
Spacing Criteria (90°-270): 0.12



Illuminance at a Distance

Distance from Luminaire	FC at Nadir	Beam Diameter
4'	92.4fc	4'-2"
6'	41.1fc	6'-4"
8'	23.1fc	8'-4"
10'	14.8fc	10'-5"
12'	10.3fc	12'-6"

Zonal Lumen Summary

Zone	Lumens	% Luminaire
0-30	866	73.2
0-40	1098	92.9
0-60	1165	98.6
0-90	1174	99.3
90-180	8	0.7
0-180	1182	100

Candela Table

Vertical Angles	Candela
0	1478
5	1457
15	1209
25	834
35	229
45	55

Lumen Output Multipliers

Color Temperature: 2700K (1.00), 3000K (1.02), 3500K (1.11), 4000K (1.21), 5000K (1.18)