

# Ellipse Ceiling Mount

## 3-353-xxx

oxygen

FIXTURE TYPE \_\_\_\_\_  
PROJECT \_\_\_\_\_

LOCATION \_\_\_\_\_  
DATE \_\_\_\_\_



-24 Satin Nickel



-15 Black



-20 Polished Nickel

Diffusers:

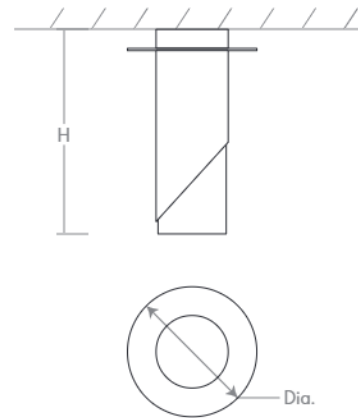


-1 White Opal Glass



-2 Matte White Acrylic

LIGHT SOURCE	1 x 6.1W LED, 3000K, CRI 90
LUMINAIRE POWER	7.2W at 120V
RATED LIFE	60000 hr RL
OPTIONAL COLOR TEMPERATURES	2700K, 3500K, 4000K
LUMEN OUTPUT	Delivered: (-1) Glass: 107 lm (LM-79) (-2) Acrylic: 142 lm (LM-79)
INPUT VOLTAGE	120V to 277V AC, 50/60Hz
DRIVER OUTPUT	180mA, 7.6W max power
DIMMING	TRIAC and ELV dimming at 120V AC; 0-10V dimming, 100% to 1% current output
CONSTRUCTION	Plated Steel and Acrylic /or Glass
DIFFUSER	(-1) White Opal Glass, (-2) Matte White Acrylic
FINISHES	Black (-15), Polished Nickel (-20), Satin Nickel (-24)
MOUNTING	4" Octagonal J-Box*, 4" Square J-Box* with a single device mud ring *Deep J-Box (Required to house driver)
STANDARDS	UL Dry/Damp listed, Conforms to UL STD 1598, Certified CAN/CSA STD C22.2 No 250.0.



**DIMENSIONS**

Dia.:	5.88"
H:	9.25"
Diffuser Dia.:	2.75"
M.C.:	2.94"

Order example for standard fixture:  
**3-353-124** (x- Voltage - xxx-Sequence # - x-Diffuser - xx-Finish)  
 3: 120V to 277V  
 Order example for optional color temperatures: **3-353-27124**  
 27: 2700K, 35: 3500K, 40: 4000K

