

**OLIO Wall Sconce**  
**3-538-xx**

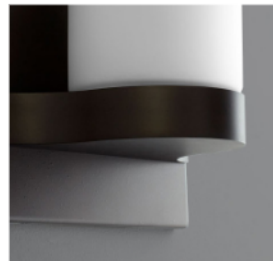
oxygen

FIXTURE TYPE \_\_\_\_\_  
 PROJECT \_\_\_\_\_

LOCATION \_\_\_\_\_  
 DATE \_\_\_\_\_

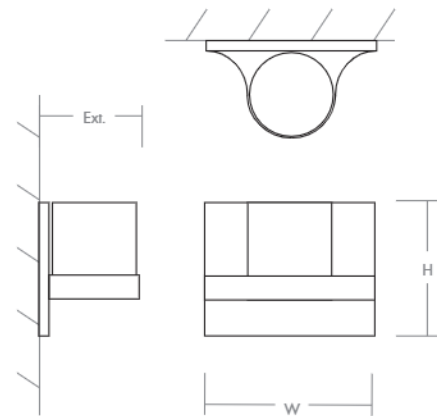


-24 Satin Nickel



-22 Oiled Bronze

- LIGHT SOURCE** 1 x 10.1W LED, 3000K, CRI 90
- LUMINAIRE POWER** 12.4W at 120V
- RATED LIFE** 60000 hr RL
- OPTIONAL COLOR TEMPERATURES** 2700K, 3500K, 4000K
- LUMEN OUTPUT** Delivered: 302 lm (LM-79)
- INPUT VOLTAGE** 120V to 277V AC, 50/60Hz
- DRIVER OUTPUT** 350mA, 14.7W max power
- DIMMING** TRIAC and ELV dimming at 120V AC; 0-10V dimming, 10% to 1% current output
- CONSTRUCTION** Plated Steel and Glass
- DIFFUSER** - White Opal Glass
- FINISHES** Satin Nickel (-24), Oiled Bronze (-22)
- MOUNTING** 4" Octagonal J-Box\*, 4" Square J-Box\*  
 \*Deep J-Box (Required to house driver)
- STANDARDS** UL Dry/Damp listed, ADA Compliant, Conforms to UL STD 1598, Certified CAN/CSA STD C22.2 No 250.0.



- DIMENSIONS**
- W:** 7.00"
  - H:** 5.50"
  - Ext:** 4.00"
  - M.C:** 2.75" From top of fixture

Order example for standard fixture:  
**3-538-24** (x- Voltage - xxx-Sequence # - xx-Finish)  
 3: 120V to 277V  
 Order example for optional color temperatures: **3-538-2724**  
 27: 2700K, 35: 3500K, 40: 4000K

