

ADORA HUGGER Ceiling Fan

3-111-xx



FIXTURE TYPE _____ LOCATION _____

PROJECT _____ DATE _____



-6 White with Optional LED Light kit



-6 White



-15 Black



With optional light kit



With optional light kit



-24 Satin Nickel



With optional light kit

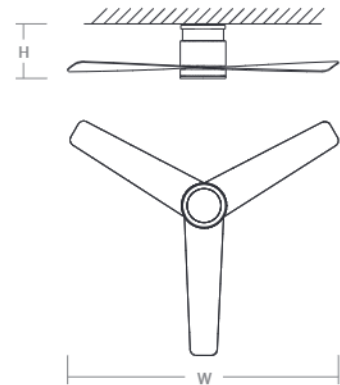
SPECIFICATIONS 3 ABS Blades / 52" Blade Sweep / 20° Blade-Pitch
 153x18 Motor
 3 Speeds - Reversible with manual reverse switch;
 0.39A on high / 0.25A on low
 48W on high / 19W on low
 128 rpm on high / 76 rpm on low
 Wall Control (Included)
 Remote Control 3-8-1000-0 (Optional - Not Included)

INPUT VOLTAGE 120V - AC Motor

ENERGY SPECIFICATIONS Airflow: 4268 CFM
 Electric Energy Consumption: 49 W (Excludes Lights)
 Airflow efficiency: 87 CFM/W
 Note: Measured at high speed

FINISHES White (-6), Black (-15), Satin Nickel (-24)

STANDARDS cUL Wet listed



DIMENSIONS
 Blade Sweep: 52.00"
 Ht.: 9.42"
 Ceiling to blades: 7.43"

OPTIONAL LIGHT INFORMATION

LIGHT KIT NUMBER 3-9-110-xx
LUMEN OUTPUT Delivered: 254 lm (LM-79)
LIGHT SOURCE LED Light kit 18W, 3000K, 90CRI
 Dimmable LED with matte white glass diffuser



ENERGYGUIDE	
Estimated Yearly Energy Cost	Airflow
\$10	3,882
<small>Cubic Feet Per Minute</small>	
<small>Cost Range of Similar Models (\$3 - \$34)</small>	<small>• The higher the airflow, the more air the fan will move</small>
<small>• Based on 12 cents per kWh and 6.4 hours use per day</small>	<small>• Airflow Efficiency: 112 Cubic Feet Per Minute Per Watt</small>
<small>• Your cost depends on rates and use</small>	
<small>• Energy Use: 33 Watts</small>	
<small>All estimates based on typical use, excluding lights</small>	<small>ftc.gov/energy</small>