

Coda Ceiling Fan
3-103-xx



FIXTURE TYPE _____ LOCATION _____

PROJECT _____ DATE _____



-22 Oiled Bronze with Optional LED Light kit



-6 White



Without light kit



-22 Oiled Bronze



Without light kit



-15 Black



Without light kit



-24 Satin Nickel



Without light kit



-20 Polished Nickel



Without light kit

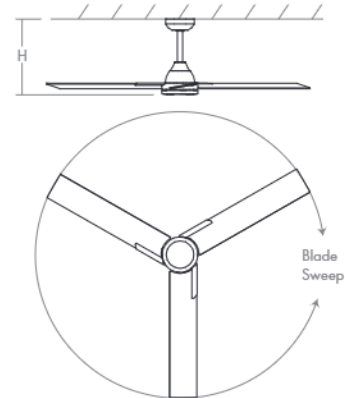
SPECIFICATIONS 3 Blades / 56" Blade Sweep / 13.5° Blade-Pitch
4.5" Downrod (Included)
Optional downrods available for high ceilings
6 Speeds - Reversible
0.43A on high / 0.07A on low
28W on high / 3W on low
166 rpm on high / 72 rpm on low
Wall control (Included)

INPUT VOLTAGE 120V

ENERGY SPECIFICATIONS Airflow: 5238 CFM
Electric Energy Consumption: 28 W at high speed
Airflow efficiency: 187 CFM/W
Note: Measured at high speed

FINISHES White (-6), Black(-15)*, Polished Nickel (-20),
Oiled Bronze (-22), Satin Nickel (-24)

STANDARDS ETL Dry
*Black (-15) only: ETL Certified for US and Canada market



DIMENSIONS
Blade Sweep: 56.00"
Ht.: 11.50"
Ceiling to Blades: 9.125"
Using 4.5" downrod

OPTIONAL LIGHT INFORMATION

LIGHT KIT NUMBER **3-9-102**

LUMEN OUTPUT 743 lm (LM-79)

LIGHT SOURCE LED Light kit 15W, 3000K, 90CRI
Dimmable LED with Matte White Polycarbonate diffuser

ENERGYGUIDE	
Estimated Yearly Energy Cost \$5	Airflow 3,815 Cubic Feet Per Minute
\$3 \$34	<ul style="list-style-type: none"> The higher the airflow, the more air the fan will move Airflow Efficiency 298 Cubic Feet Per Minute Per Watt
<small>Cost Range of Similar Models (11" - 84")</small> <small>* Based on 12 cents per kWh and 6.4 hours use per day</small> <small>** Year cost depends on rates and use</small> <small>Energy Use: 18 Watts</small> <small>All estimates based on typical use, excluding lights</small>	
<small>ftc.gov/energy</small>	

