

**DYNAMO Ceiling Fan**  
**3-113-xx**

oxygen

FIXTURE TYPE \_\_\_\_\_ LOCATION \_\_\_\_\_

PROJECT \_\_\_\_\_ DATE \_\_\_\_\_



-1540 Black/Aged Brass



-640 White/Aged Brass



-15 Black



-24 Satin Nickel

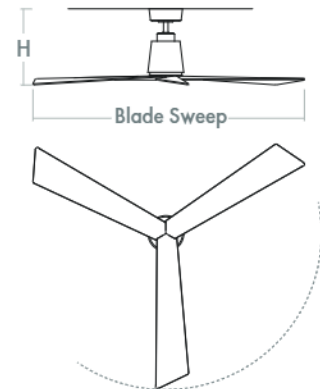
**SPECIFICATIONS** 3 ABS Blades / 54" Blade Sweep / 20° Blade-Pitch  
 DC Motor: DC-125NS  
 4" and 6" downrod (Included)  
 Optional downrods available for high ceilings  
 6 Speeds - Reversible with remote control  
 0.37A on high / 0.04A on low  
 28W on high / 3W on low  
 155 rpm on high / 52 rpm on low  
 Handheld Remote Control (Included)

**INPUT VOLTAGE** 120V

**ENERGY SPECIFICATIONS** Airflow: 5850 CFM  
 Electric Energy Consumption: 33 W (Excludes Lights)  
 Airflow efficiency: 178 CFM/W  
 Note: Measured at high speed

**FINISHES** Black (-15), Satin Nickel (-24),  
 White/Aged Brass (-640), Black/Aged Brass (-1540)

**STANDARDS** cUL Damp Listed



**DIMENSIONS**  
 Blade Sweep: 54.00"  
 Ht.: 14.00"  
 Ceiling to blades: 12.00"  
 Note: Measured using 4" downrod



ENERGYGUIDE	
Estimated Yearly Energy Cost <b>\$6</b>	Airflow <b>4,012</b> Cubic Feet Per Minute
<p>Cost Range of Similar Models (19 - 84)</p> <ul style="list-style-type: none"> <li>Based on 12 cents per kWh and 6.8 hours use per day</li> <li>Your cost depends on rates and use</li> <li>Energy Use: 20 Watts</li> </ul> <p>All estimates based on typical use, excluding lights</p>	<ul style="list-style-type: none"> <li>The higher the airflow, the more air the fan will move</li> <li>Airflow Efficiency 156 Cubic Feet Per Minute Per Watt</li> </ul> <p>ftc.gov/energy</p>