

Sol Ceiling Fan

3-104-xx

oxygen

FIXTURE TYPE _____ LOCATION _____

PROJECT _____ DATE _____



-6 White with Optional LED Light kit



-6 White



Without light kit



-24 Satin Nickel



Without light kit



-15 Black



Without light kit



-22 Oiled Bronze



Without light kit



-20 Polished Nickel



Without light kit

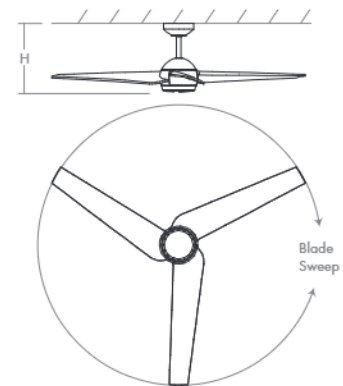
SPECIFICATIONS 3 Blades / 52" Blade Sweep / 15° Blade-Pitch
4.5" downrod (Included).
Optional downrods available for high ceilings
6 Speeds - Reversible
0.39A on high / 0.07A on low
23W on high / 3W on low
168 rpm on high / 69 rpm on low
Remote Control 3-8-3000 (Optional - Not Included)

INPUT VOLTAGE 120V

ENERGY SPECIFICATIONS Airflow: 4664 CFM
Electric Energy Consumption: 23 W
Airflow efficiency: 202 CFM/W
Note: Measured at high speed

FINISHES White (-6), Black (-15), Polished Nickel (-20),
Oiled Bronze (-22), Satin Nickel (-24)

STANDARDS ETL Dry, ETL Damp (Black Finish Only)



DIMENSIONS

Blade Sweep: 52.00"

Ht.: 11.50"

Ceiling to Blades: 8.00"

Note: Measured using 4" downrod

OPTIONAL LIGHT INFORMATION

LIGHT KIT NUMBER 3-9-102

LUMEN OUTPUT 743 lm (LM-79)

LIGHT SOURCE LED Light kit 15W, 3000K, 90CRI
Dimmable LED

ENERGYGUIDE	
Estimated Yearly Energy Cost \$5	Airflow 3,272 Cubic Feet Per Minute
<p>Cost Range of Similar Models (\$3 - \$34)</p> <p>Based on 12 cents per kWh and 6.4 hours use per day Your cost depends on rates and use Energy User: 10 Watts</p>	<p>The higher the airflow, the more air the fan will move.</p> <p>Airflow Efficiency: 202 Cubic Feet Per Minute Per Watt</p>
<p>ETL Intertek US</p> <p>www.energy.gov/energy</p>	