



With clean lines and graceful proportions, the HUAN is a timeless design that embodies both modern forms with a nostalgic silhouette. The round circular frame is inspired by the Moon Gate, which is a classic architectural element common in oriental gardens. The hemisphere lamp shade seamlessly integrates with the circular frame, bringing warmth and serenity to any interior. The HUAN is available in Matt Black or Matt White, and in two convenient sizes. With clean geometry and striking symmetry, the perfectly circular frame is finely finished in our iconic Champagne Gold, providing for an everlasting cozy glow.

By Chang, Huan Rou 張幻柔

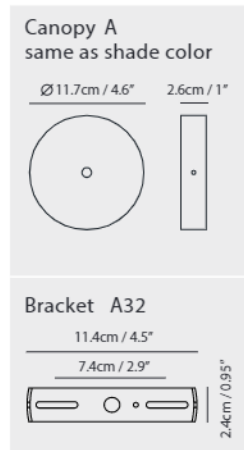
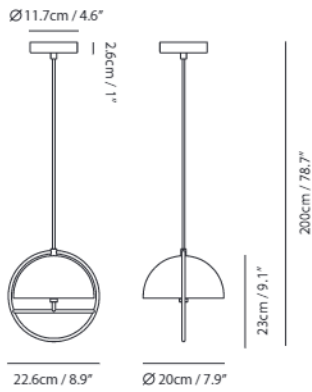


matt black + champagne gold



matt white + champagne gold

Measurement : centimeter / inches



**Huan Pendant PS**

**Model**  
SG-226MP

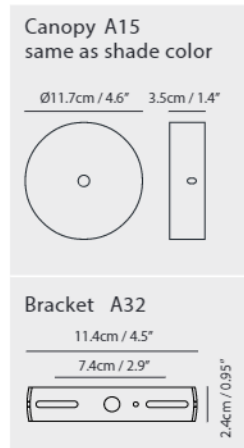
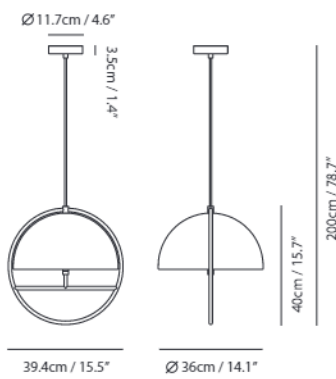
**Material**  
steel, glass

**Light Source**  
G9 LED 2 x 5W 2700K

**Weight**  
1.5kg / 3.3lb

**Color**  

 matt black + champagne gold  
 matt white + champagne gold



**Huan Pendant PL**

**Model**  
SQ-394MP

**Material**  
steel, glass

**Light Source**  
E26 LED 2 X Max 15W

**Weight**  
3.2kg / 7.1lb

**Color**  

 matt black + champagne gold  
 matt white + champagne gold