

## CANMORE, 1-LIGHT LED WALL SCONCE



### PRODUCT DETAILS

|                         |   |           |
|-------------------------|---|-----------|
| No.                     | : | 34142-029 |
| Product Color           | : | BLACK     |
| Product Material        | : | METAL     |
| Shade / Accent Colour   | : | FROSTED   |
| Shade / Accent Material | : | ACRYLIC   |
| Width                   | : | 5.25"     |
| Height                  | : | 5.25"     |
| Overall Height          | : | 5.25"     |
| Ext                     | : | 4"        |
| Weight                  | : | 1.4lbs    |

### LIGHT SOURCE DETAILS

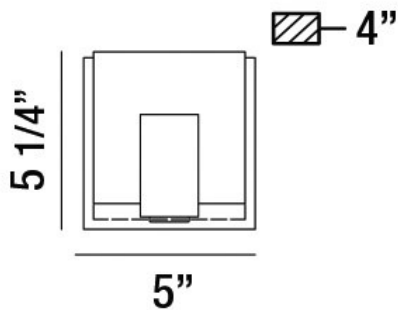
|                   |   |                |
|-------------------|---|----------------|
| Light Source Type | : | INTEGRATED LED |
| Input Voltage     | : | 120V           |
| Bulb Voltage      | : | 120V           |
| Total Wattage     | : | 8W             |
| Delivered Lumens  | : | 400lm          |
| Kelvin            | : | 3000K          |
| CRI               | : | 90+            |
| Dimmable          | : | Yes            |

### OPTIONS AVAILABLE

| ITEM NO.  | FINISH | SHADE   |
|-----------|--------|---------|
| 34142-011 | CHROME | FROSTED |
| 34142-029 | BLACK  | FROSTED |

### TECHNICAL DETAILS

|                           |   |   |
|---------------------------|---|---|
| Canopy / Backplate Length | : | 5"  |
| Canopy / Backplate Height | : | 1.25"   |
| Canopy / Backplate Width  | : | 5"  |
| Driver                    | : | EK-TOP  |
| IP Rating                 | : | DAMP  |
| Location                  | : | DAMP  |
| Approval                  | : |  |



### PROJECT INFORMATION

 Job Name:  Date:  Type: 

 Comments: