

## SOYAR, 4 LT OUTDOOR PENDANT



### PRODUCT DETAILS

|                         |   |                                      |
|-------------------------|---|--------------------------------------|
| No.                     | : | 41967-010                            |
| Product Color           | : | SATIN BLACK                          |
| Product Material        | : | POWDER COATING OVER GALVANIZED STEEL |
| Shade / Accent Colour   | : | CLEAR GLASS                          |
| Shade / Accent Material | : | GLASS                                |
| Length                  | : | 12"                                  |
| Width                   | : | 12"                                  |
| Height                  | : | 14.25"                               |


### LIGHT SOURCE DETAILS

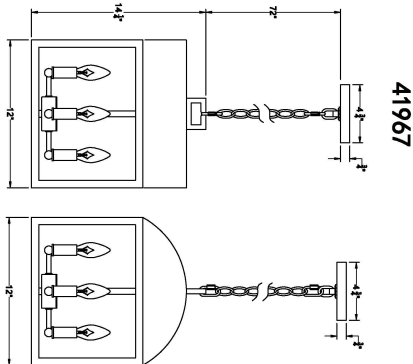
|                   |   |      |
|-------------------|---|------|
| Number of Bulbs   | : | 4    |
| Light Source Type | : | B10  |
| Input Voltage     | : | 120V |
| Bulb Voltage      | : | 120V |
| Socket Type       | : | E12  |
| Wattage           | : | 60W  |
| Total Wattage     | : | 240W |
| Bulb Included     | : | No   |
| Dimmable          | : | No   |

### OPTIONS AVAILABLE

|                 |               |              |
|-----------------|---------------|--------------|
| <b>ITEM NO.</b> | <b>FINISH</b> | <b>SHADE</b> |
| 41967-010       | SATIN BLACK   | CLEAR GLASS  |

### TECHNICAL DETAILS

|                           |   |   |
|---------------------------|---|---|
| Hanging Support Length    | : | 72"   |
| Canopy / Backplate Length | : | 4.75"   |
| Canopy / Backplate Width  | : | 4.75"   |
| Location                  | : | WET   |
| Approval                  | : |  |



### PROJECT INFORMATION

Job Name:       Date:       Type:

Comments: