

INSTALLATION AND SAFETY INSTRUCTIONS

For your safety warning

BE SURE THE ELECTRICITY TO THE WIRES YOU ARE WORKING ON IS SHUT OFF; EITHER THE FUSE IS REMOVED OR THE CIRCUIT BREAKER IS SHUT OFF. General, you don't need special tools to install this fixture. Be sure to follow the steps in the order given. Under no circumstances should a fixture be hung on house electrical wires, nor should a swag type fixture be installed on a ceiling which contains a radiant type heating system. Read instructions carefully. If you are unclear as to how to proceed, consult a qualified electrician.

NOTE: Proper wiring is essential for the safe operation of this fixture.

FIXTURE ASSEMBLY

Carefully remove the fixture from the carton and check that all parts are included as shown in figure. The light device can be convertible from the hard-wire installation to the portable installation. Be careful not to misplace any of the screws or parts, which are needed to install this fixture Steps:

HARD WIRE INSTALLATION: (FIGURE 1)

1. Carefully unpack your new fixture and lay out all the parts in a clear area. Take care not to lose any small parts necessary for installation.
2. Hold Mounting Plate up against Outlet Box, while the Mounting Plate is leveled horizontally, use a pencil to mark the mounting holes, then drilling holes in the wall and loaded plastic anchors. Attach the Mounting Plate to the wall, aligning Outlet Box mounting holes, lock it securely with the Wood Screws and Outlet Box Screws.
3. Guide the Black/White Supply Wires and Supply Ground Wire from Outlet Box through the center hole on the Mounting Plate. **Make the wire connections with Wire Nuts:**
Connect the White Fixture Wire to the White Supply Wire, connect the Black Fixture Wire to the Black Supply Wire, connect Fixture Ground Wire to Supply Ground Wire, or attach Fixture Ground Wire to the Mounting Plate with a green ground screw. Make sure all Wire Connectors are secure and do not easily pull off with the slight tug. After the wires are connected, tuck them into Outlet Box.
4. Raise Back Plate against Mounting Plate and tighten with Mounting Screws.
5. Loosen the Adjuster, holding the arm adjust to appropriate location and locked.
6. Install bulb to socket (Bulb not included), **NOTE: DO NOT EXCEED THE MAXIMUM WATTAGE RATING!**
7. Your installation is now complete. Return the power to the Outlet Box and test the fixture.

CONVERTIBLE TO PORTABLE INSTALLATION: (FIGURE 2)

IF YOU NEED FIXTURE ELECTRIC CORD ASSEMBLY TO THE FIXTURE LAMP, PLEASE PAUSE AND TAKE OUT FIXTURE WIRES NUTS OF THE MOUNTING PLATE, THEN FOLLOW WIRING INSTRUCTIONS CAREFULLY.

This fixture includes 3 rods to allow for various height rod. Measure and determine correct number of rods required.

Note: you must firstly take out Plastic Stopper in the bottom of Back Plate.

1. Hold Mounting Plate up against wall, while the Mounting Plate is leveled horizontally, use a pencil to mark the mounting holes. It is best practice to locate a stud behind the wall to fasten the mounting plate to.
2. Slide the needed rods over Fixture Electric Cord and through the bottom hole of Back Plate, secure the upper rod under the back plate bottom, connect all the Rods together.
3. Using a Wire Nut, connect the White Fixture Wire to the Fixture Electric Cord **ribbed wire**, connect the Black Fixture Wire to the Fixture Electric Cord **smooth wire**. Make sure all Wire Connectors are secure and do not easily pull off with the slight tug.
4. Raise Back Plate against Mounting Plate and tighten with Mounting Screws.
5. Use the clip included to fasten the down rod with the power supply cord inside.
6. Loosen the Adjuster, holding the arm adjust to appropriate location and locked.
7. Install bulb to socket (Bulb not included), **NOTE: DO NOT EXCEED THE MAXIMUM WATTAGE RATING!**
8. Your installation is now complete. Return the power to the Outlet Box and test the fixture.

HOUSEHOLD USE
POUR L'USAGE À LA MAISON

FIGURE 1:

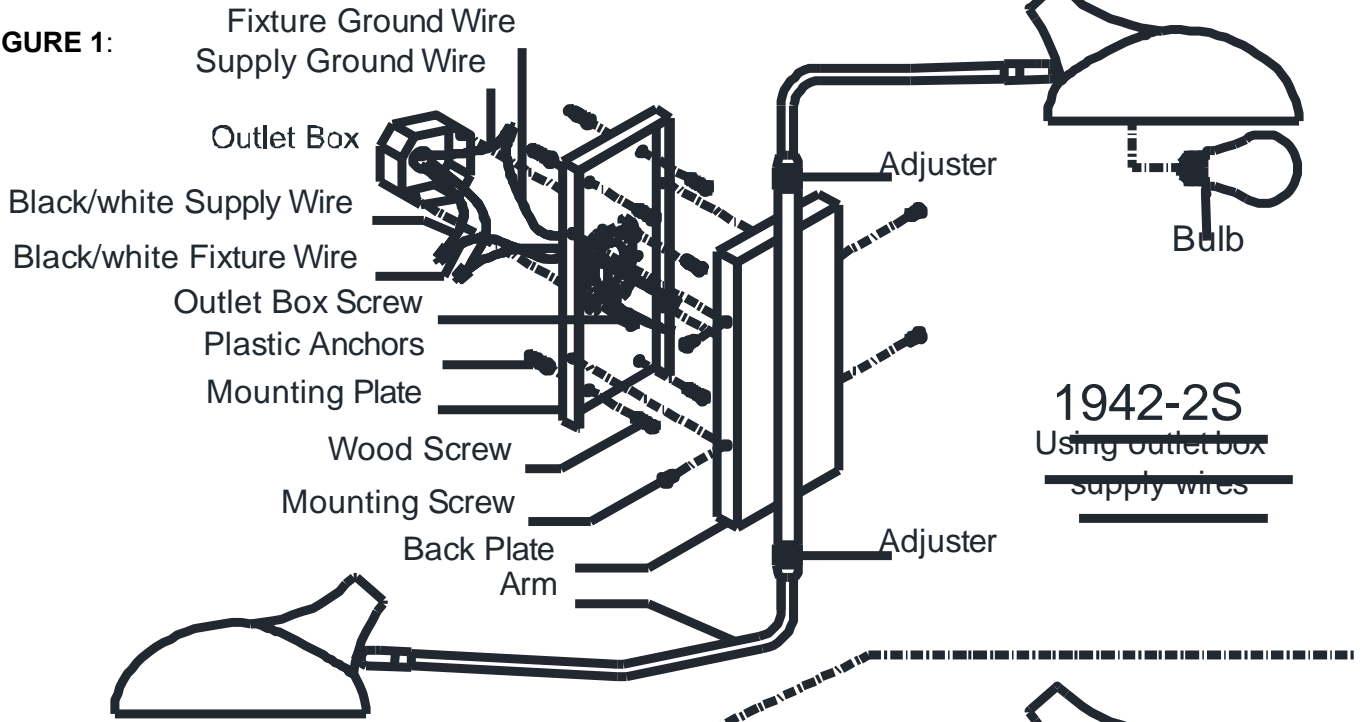
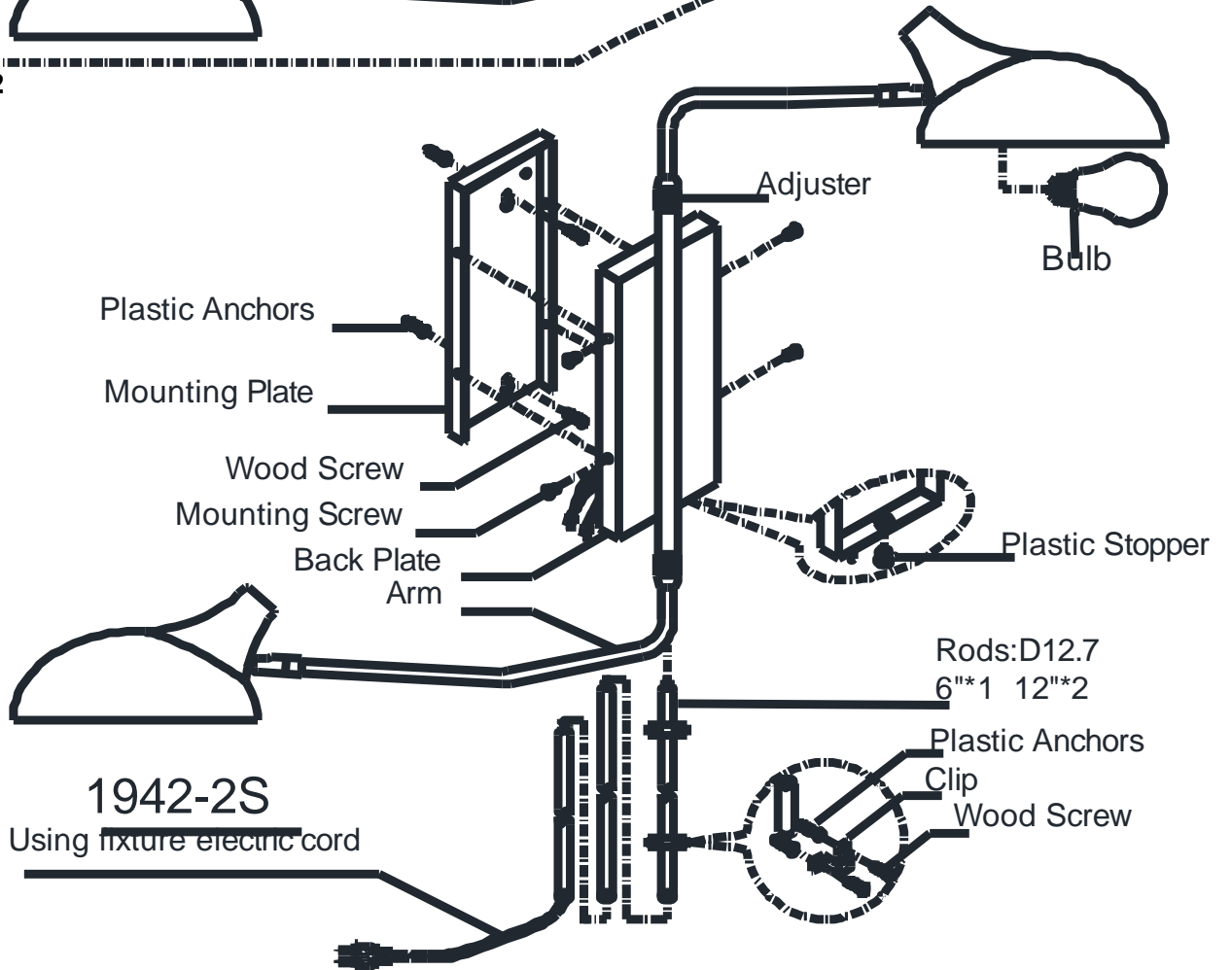


FIGURE 2



Line art shown may not exactly match the fixture enclosed. However, the installations do apply to this fixture.

ITEM NO: 1942-2S

HOUSEHOLD USE
POUR L'USAGE À LA MAISON