



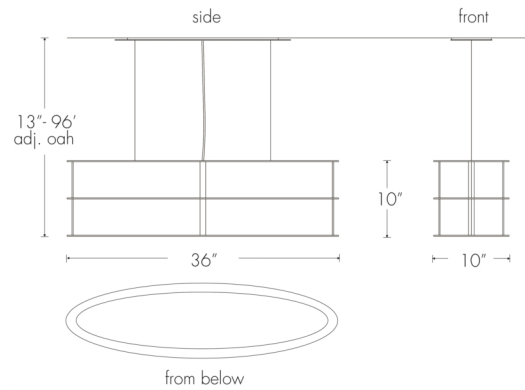
Ellipse 09179

project name:	
project location:	
specifier name:	
specifier location:	
quantity:	
fixture type:	

modifications:

Base Specs

10"h x 10"w x 36"l x 13-96"OAH
Opal Acrylic Bottom Diffuser
Cable Hung





Ellipse 09179

standard finish:

- BA - Bronze Age
- BK - Black
- BP - Black Pearl
- CB - Cast Bronze
- CH - Chestnut
- CR - Chrome
- DI - Dark Iron
- EB - Empire Bronze
- MB - Medieval Bronze
- NB - New Brass
- SB - Smokey Brass
- SP - Satin Pewter
- SS - Smoked Silver

lampping:

- 03:** Incandescent, 4 x E26 - 60W max ea, A-Type, 120V, Standard Phase Dimming, UL/cUL Dry/Damp
- 04:** 49.6w Integrated LED, 7787 Initial Lumens, 3000K, 90 CRI, 120V-277V, 0-10V Dimming, UL/cUL Dry/Damp
- 10:** Wattage Restriction Label - 3 x E26 for LED Retrofit 20W max ea - A-Type, 120V, Standard Phase Dimming, UL/cUL Dry/Damp
- 14:** 33.6w Integrated LED, 4724 Initial Lumens, 3000K, 90 CRI, 120V, Standard Phase Dimming, UL/cUL Dry/Damp

standard diffuser:

- OA - Opal Acrylic

premium diffuser:

- CO - Caramel Onyx
- FA - Faux Alabaster
- TS - Tea Stained
- WS - White Swirl

mounting:

- Sloped Ceiling Adaptable - **\$ Inquire**

