



Eo 20452-23

project name:

project location:

specifier name:

specifier location:

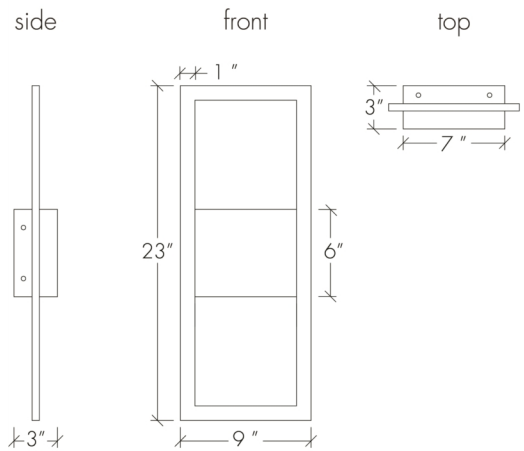
quantity:

fixture type:

modifications:

Base Specs
23"h x 9"w x 3"d

Multiple Sizes Available
20452-23 | 18"h x 6"w x 4"d
20452-30 | 48"h x 8"w x 4"d





Eo 20452-23

standard finish:

BA - Bronze Age
BK - Black
BP - Black Pearl
CB - Cast Bronze
CH - Chestnut
CR - Chrome
DI - Dark Iron
EB - Empire Bronze
MB - Medieval Bronze
NB - New Brass
SB - Smokey Brass
SP - Satin Pewter
SS - Smoked Silver

lampping:

04: 16.8w Integrated LED, 2362 Initial Lumens, 3000K, 90 CRI, 120V-277V, 0-10V Dimming, UL/cUL Dry/Damp

14: 16.8w Integrated LED, 2362 Initial Lumens, 3000K, 90 CRI, 120V, Standard Phase Dimming, UL/cUL Dry/Damp

standard diffuser:

OA - Opal Acrylic

