



VISO LIGHTING

# GIA

## INSTALLATION MANUAL

G9 (120V/220V)

**SM** – 5x G9 25W max

**MM** – 7x G9 25W max

**GM** – 10x G9 25W max



### IMPORTANT

Always shut off power before cleaning and maintenance.



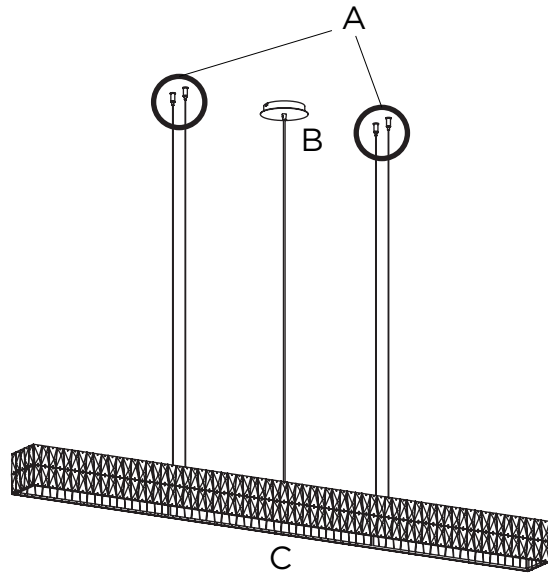
All products are manufactured to meet or exceed North American standards C22.2-250, UL 1598, C22.2-12, C22.2.9, UL 153.

All preparation for installation of fixture is to be provided by the end user.

The description and measurements on this drawing are for information purposes only.

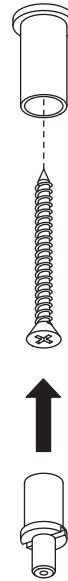
VISO © 2018 All rights reserved.

MADE WITH ♥ IN TORONTO



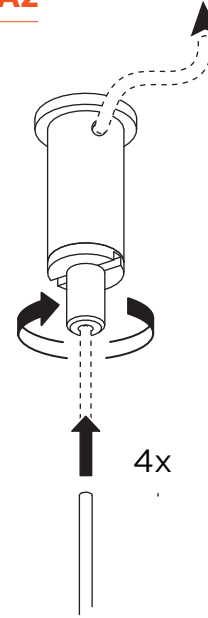
A - Stell cable  
B - Canopy  
C - Bulb

### A1



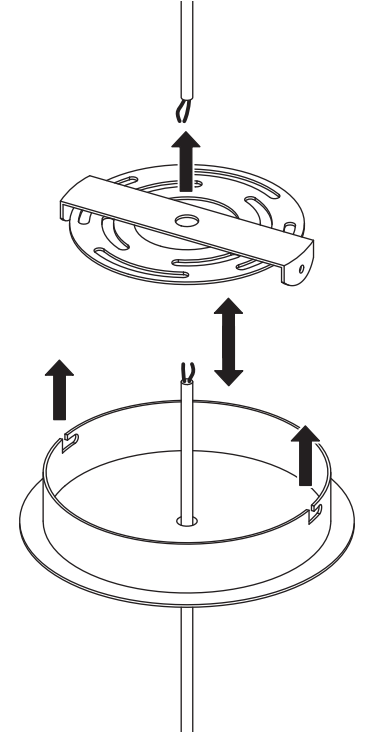
4x

### A2

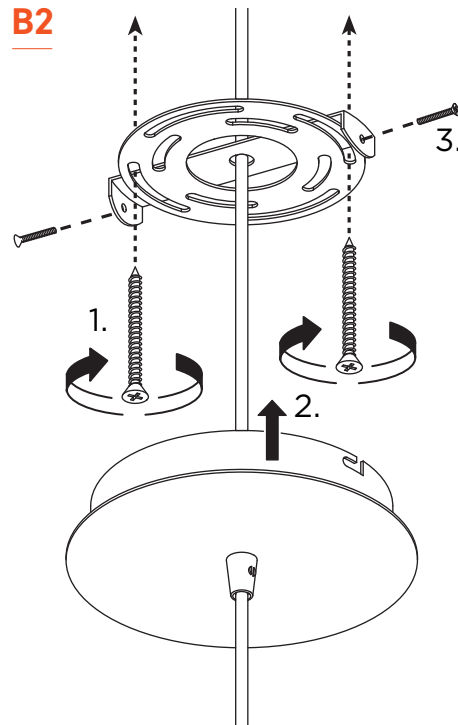


4x

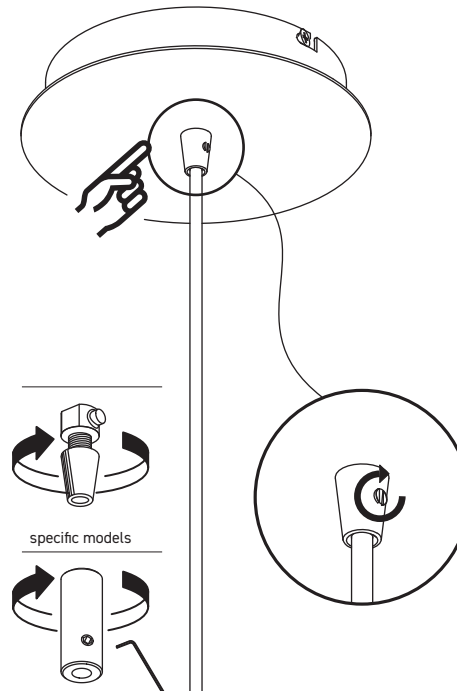
### B1



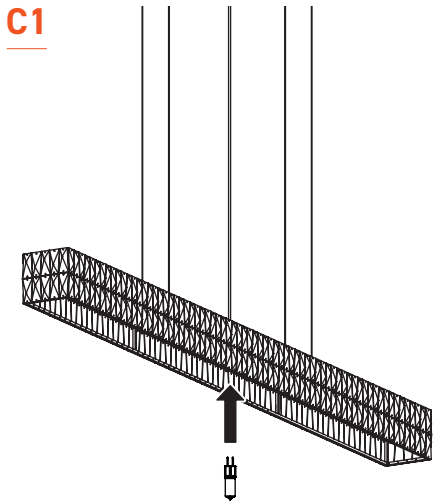
### B2



### B3



### C1



SM MODEL **5x** G9 25W max  
MM MODEL **7x** G9 25W max  
GM MODEL **10x** G9 25W max