



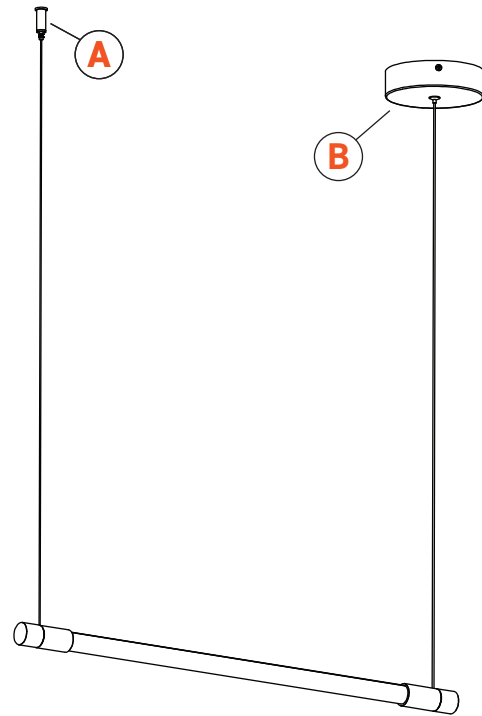
VISO LIGHTING

# THIN HORIZONTAL

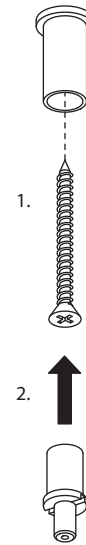
## INSTALLATION MANUAL

LED (120V/220V) 3000K

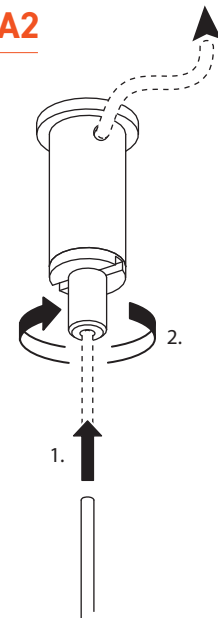
- XBM
- LED 8W 640Lm
- BM
- LED 12W 960Lm
- SM
- LED 16W 1280Lm



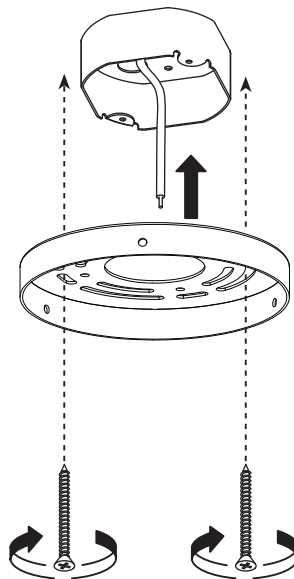
**A1**



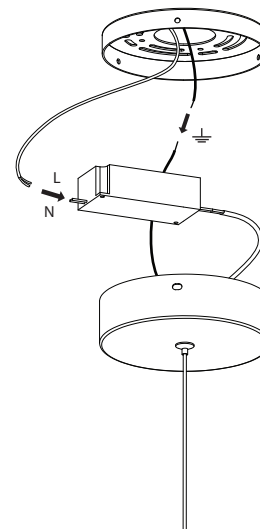
**A2**



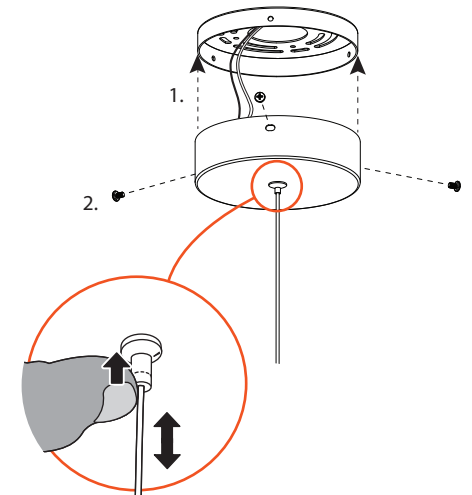
**B1**



**B2**



**B3**



### IMPORTANT

Always shut off power before cleaning and maintenance.

All products are manufactured to meet or exceed North American standards C22.2-250, UL 1598, C22.2-12, C22.2.9, UL 153.

All preparation for installation of fixture is to be provided by the end user.

The description and measurements on this drawing are for information purposes only.

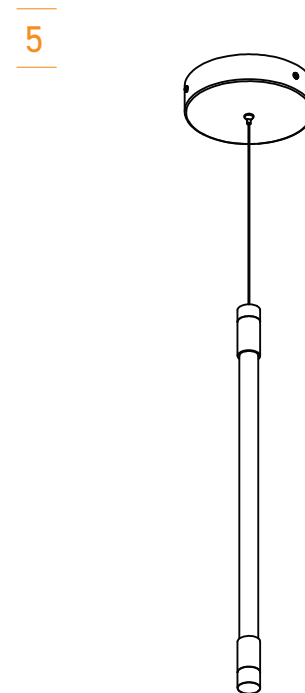
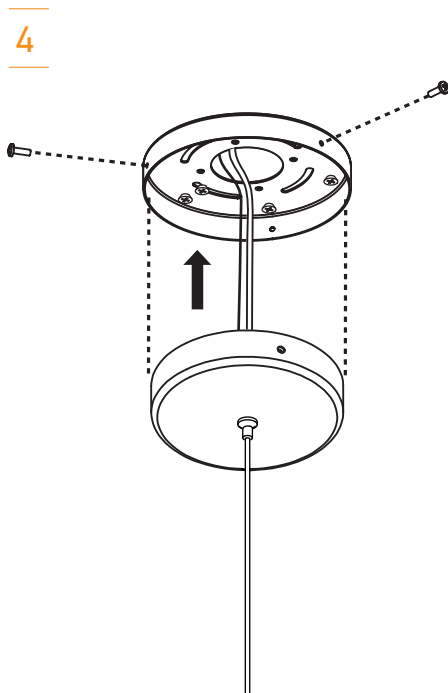
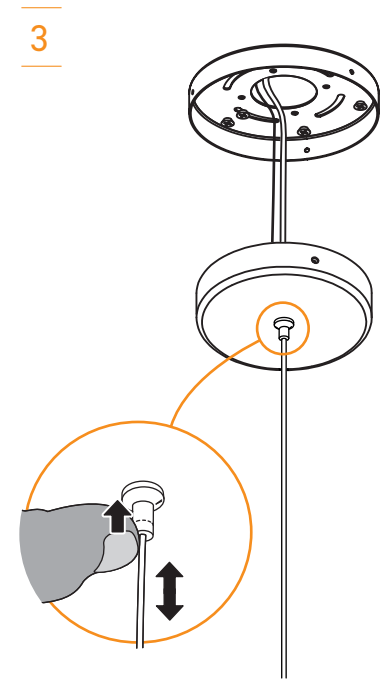
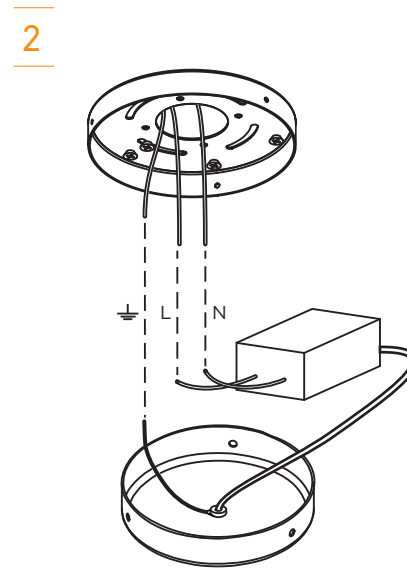
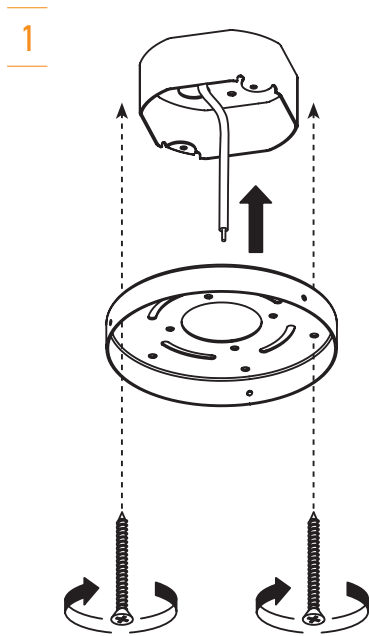


VISO LIGHTING

# THIN INSTALLATION MANUAL

LED (120V/220V) 3000K

- XBM  
LED 8W 640Lm
- BM  
LED 12W 960Lm
- SM  
LED 16W 1280Lm



### IMPORTANT

Always shut off power before cleaning and maintenance.

All products are manufactured to meet or exceed North American standards C22.2-250, UL 1598, C22.2-12, C22.2.9, UL 153.

All preparation for installation of fixture is to be provided by the end user.

The description and measurements on this drawing are for information purposes only.