

TECHNICAL SHEET

1708-30

Mounting: Applique / Wall lamp

Environment: Indoor - IP20

Materials: Metallo / Metal

Voltage: 220-240V 50/60Hz

Source: LED 10W - CRI=90

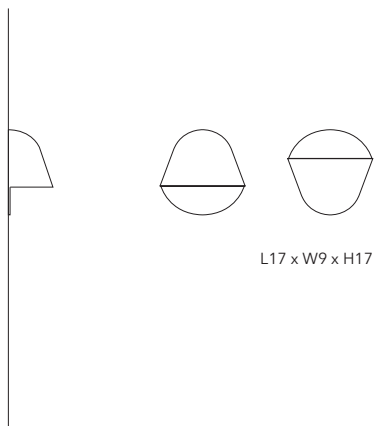
Color Temperature: 3000K / 2700K

Lumen: 469lm / 441lm

Lighting Control: Dimmable phase cut



1708-30



Finiture / Finishes

Struttura / Structure



Nero opaco
Matt black



Oro opaco
Matt gold



Bianco opaco
Matt white



Titanio opaco
Matt titanium

CODES

CODICI / CODES	MISURA / SIZE	STRUTTURA / STRUCTURE	DIFFUSORE / SHADE	DETTAGLI / DETAILS
1708-30-0600-DXNE	wall lamp	oro opaco / matt gold		dimmbable phase cut 3000K
1708-30-0600-DXWE	wall lamp	oro opaco / matt gold		dimmbable phase cut 2700K
1708-30-1100-DXNE	wall lamp	nero opaco / matt black		dimmbable phase cut 3000K
1708-30-1100-DXWE	wall lamp	nero opaco / matt black		dimmbable phase cut 2700K
1708-30-0100-DXNE	wall lamp	bianco opaco / matt white		dimmbable phase cut 3000K
1708-30-0100-DXWE	wall lamp	bianco opaco / matt white		dimmbable phase cut 2700K
1708-30-1800-DXNE	wall lamp	titanio opaco / matt titanium		dimmbable phase cut 3000K
1708-30-1800-DXWE	wall lamp	titanio opaco / matt titanium		dimmbable phase cut 2700K