

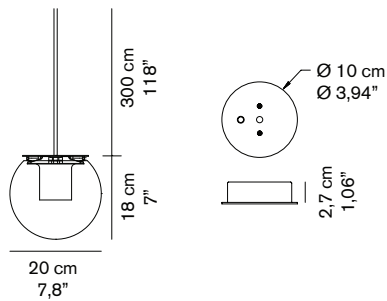


THE GLOBE 827

Joe Colombo
1964

Suspension lamp giving direct and diffused light in transparent blown glass.

DIMENSIONS



MATERIALS

metal/blown glass

COLORS

satin nickel
transparent

BULBS

1 x max 40 W - E12



equipped without bulb

Note: lamp compatible with LED bulbs (according to the market availability and without changes to the standard product)

MARKS



FURTHER INFORMATION



satin nickel rose



black cable



accessory: multiple ceiling bar/plate

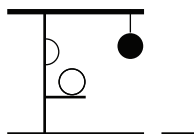
PACKAGING



dimensions 39x26x27 cm / 15,4"x10,2"x10,6"
volume 0,0273 m³ / 0,96 ft³
weight 3,5 kg / 7,71 lb

TYPE

indoor - suspension lamp



PHOTOMETRIC CURVE