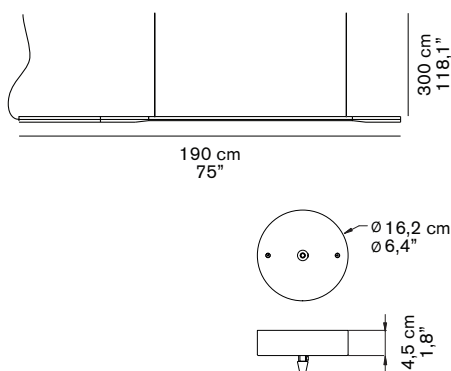




**ILO 487**  
David Lopez Quincoces  
2019

Suspension led lamp giving direct light in metal.  
Aluminium rod structure anodized in satin bronze with  
anodized matt black terminal.

**DIMENSIONS**



**MATERIALS**


metal

**COLORS**

anodized satin bronze  
matt black

**BULBS**

1 x 25 W - 24 V - dimmable LED  
2700°K - 3600 lm - CRI>85

 equipped with led

**MARKS**



**FURTHER INFORMATION**



matt black rose



black cable

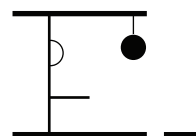
**PACKAGING**



dimensions 12,5x43x200 cm / 4,9"x16,9"x78,7"  
volume 0,1075 m<sup>3</sup> / 3,8 ft<sup>3</sup>  
weight 5,5 kg / 12,13 lb

**TYPE**

indoor - suspension lamp



**PHOTOMETRIC CURVE**