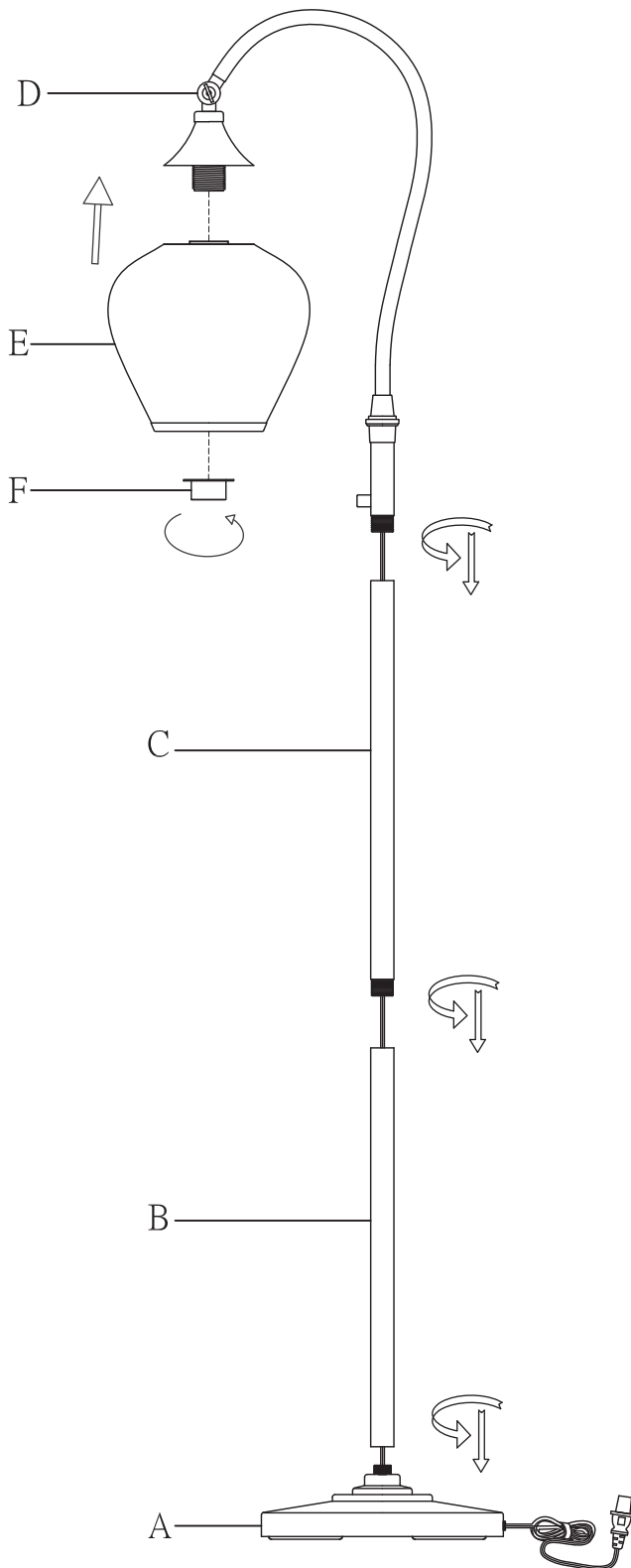


# ASSEMBLY INSTRUCTIONS FOR Bradford Floor Lamp

3923-21 1.0  
3923-26

Model # 3923-21  
3923-26



1. Screw pole(B) clockwise into base(A) to tighten.
2. Screw pole(C) clockwise into pole(B) to tighten.
3. Screw part(D) clockwise into pole(C) to tighten.
4. Socket ring(F) comes pre-assembled to the socket. Before assembling the shade, please unscrew this socket ring(F). Set shade(E) onto socket and tighten clockwise with socket ring(F) to secure shade.

A note on packaging: Due to the fragile nature of this product, we have chosen to use Styrofoam only where it is needed to protect it and deliver the best quality product to our customer. We are aiming to reduce the use of plastic and styrofoam in the packaging of our products where possible and are investigating more environmentally friendly alternatives to use. We hope you enjoy your purchase!

## GENERAL PRODUCT INFORMATION:

This product is suitable for dry locations only.



## IMPORTANT SAFETY INSTRUCTIONS:

This portable lamp has a polarized plug (one blade is wider than the other) as a feature to reduce the risk of electric shock. This plug will fit in a polarized outlet only one way. If the plug does not fit fully in the outlet, reverse the plug. If it still does not fit, contact a qualified electrician. Never use with an extension cord unless plug can be fully inserted. **DO NOT ALTER THE PLUG.**

BULB TYPE: (1) 40 watt vintage edison Bulb (included)