

HARDWIRING ASSEMBLY INSTRUCTIONS FOR Bradford Pendant

3921-21
3921-26

1.0

Model# 3921-21
3921-26

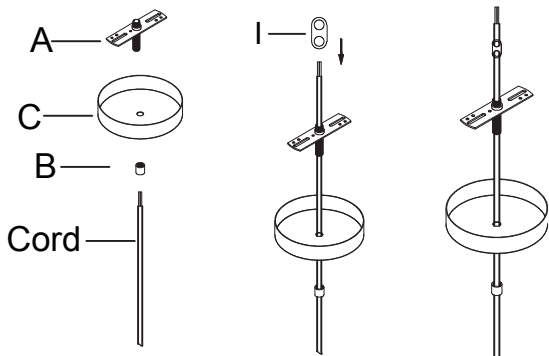
BEFORE STARTING- SHUT OFF BREAKER AT MAIN DISCONNECT

Make sure all power is disconnected at existing fixture and that there are no live wires in the junction box.

Not all junction boxes include simple wiring .If you are unsure or have doubts of electrical connection,call an electrician for assembly .
Remove all items from the packaging.

Step 1.

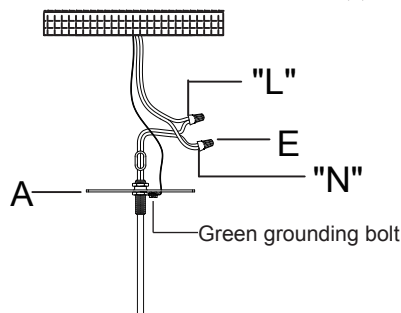
Unscrew the screw nut(B) and mounting plate(A) from canopy(C). Then place 8-shape cord(I) into the cord.



Step 2.

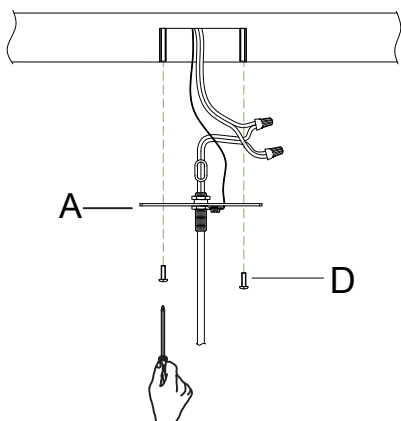
Twist both ground wire(copper or green) in junction box and in plate(A) to green grounding bolt.

Attach the neutral fixture wire (N) from the pendant to the neutral wire in junction box (usually white). Attach the hot fixture wire (L) from the pendant to the hot wire in junction box (usually black). Cover the connected wires with wire nut (E) - tighten each connection by turning clockwise.



Step 3.

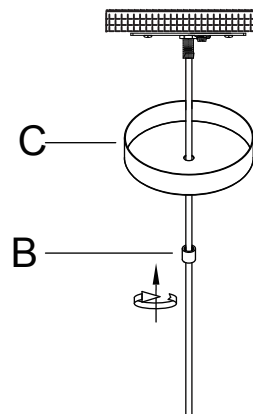
Place mounting plate(A) to ceiling. Align hole in mounting plate(A) with holes in junction box and secure with 2 screws(D) by a phillips head screwdriver.



Step 4.

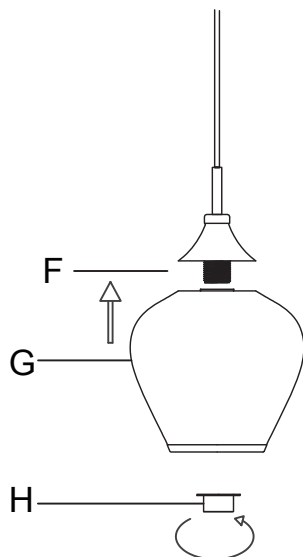
Push all wire connections into junction box.

Push metal canopy(C) up so that it is touching the ceiling, followed by the screw nut(B) and turn the screw nut(B) clockwise to tighten.



Step 5.

Socket ring(H) comes pre-assembled to the socket(F).Before placing the shade onto the socket, please unscrew this socket ring(H). Place shade(G) onto the socket(F), and tighten clockwise with socket ring(H) to secure shade.



PARTS DIAGRAM:

- (3) Screws (D)
- (4) Wire nut (E)
- (1) 8-shape cord(I)

GENERAL PRODUCT INFORMATION:

This product is suitable for dry locations only.



IMPORTANT SAFETY INSTRUCTIONS:

This portable lamp has a polarized plug (one blade is wider than the other) as a feature to reduce the risk of electric shock. This plug will fit in a polarized outlet only one way. If the plug does not fit fully in the outlet, reverse the plug. If it still does not fit, contact a qualified electrician. Never use with an extension cord unless plug can be fully inserted. DO NOT ALTER THE PLUG.

BULB TYPE: (1) 40 watt vintage edison Bulb (included)

A note on packaging: Due to the fragile nature of this product, we have chosen to use Styrofoam only where it is needed to protect it and deliver the best quality product to our customer. We are aiming to reduce the use of plastic and styrofoam in the packaging of our products where possible and are investigating more environmentally friendly alternatives to use. We hope you enjoy your purchase!

ADESSO

353 West 39th Street, 2nd Floor, New York, NY 10018

Tel: (212) 736 4440 Fax: (212) 736 4806

www.adessohome.com